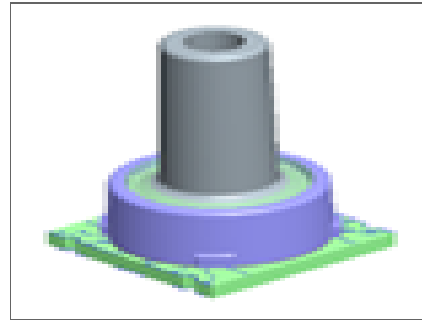


# TBP Pressure Sensor XZ212120TBP

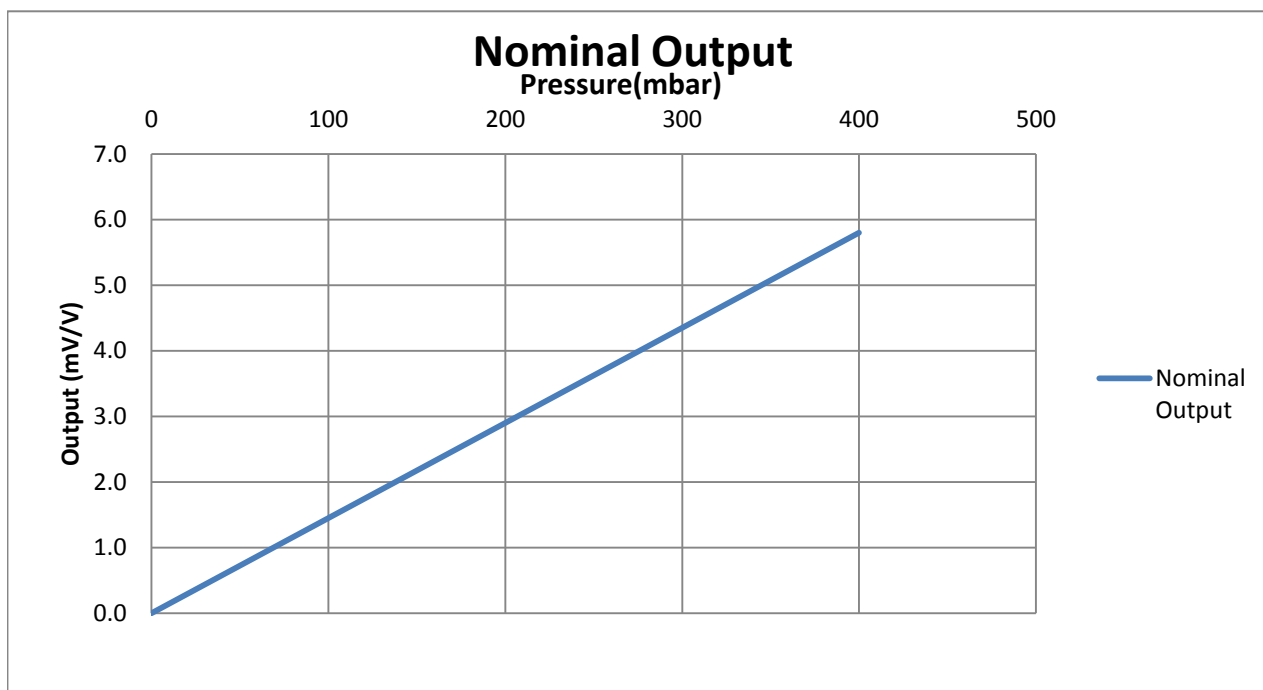
**Honeywell**

- Compensated and unamplified
- Small package
- Low power consumption
- Not sensitive to mounting orientation
- Stable offset voltage
- RoHS compliant



XZ212120TBP pressure sensors are designed to measure gauge pressures for air and non-corrosive gases and are calibrated to optimize performance from 0 to 400mbar .

## Nominal Transfer Function



$$\text{Output(mV)} = (5.75(\text{mv/v})/400\text{mbar}) * \text{Pressure applied} * V_{\text{supply}}$$

## Absolute Maximum Ratings

Supply voltage	-12.0 Vdc to 12.0 Vdc
Lead soldering temperature	15 s max .at 250°C[482°F]
Storage temperature range	-40°C to 125°C
Overpressure	2 bar
Burst pressure	4 bar

datasheet revision 5

7/7/2016

## Operating Specifications

Supply voltage	5.0Vdc typical
Supply current	0.60mA typical @ 5.0 Vsupply
Compensated temperature range	0°C to 85°C
The temperature range over which the sensor will produce and output proportional to pressure within the specified performance limits	
Operating temperature range	-40°C to 125°C
The temperature range over which the sensor will produce and output proportional	
Accuracy	± 0.15% FSS
25°C, Includes the effects of non-linearity, pressure hysteresis and repeatability	
Offset	± 0.12 mV/V
The output signal obtained when the reference pressure is applied to all available pressure ports, Also known as 'null' or 'zero'	
Full scale span	5.80 ± 0.35 mV/V
The algebraic difference between the output signal at the maximum and minimum limits of the pressure range	
Temperature Effect on Offset	0°C to 60°C ± 0.65% FSS
Maximum error relative to offset at 25°C	0°C to 85°C ± 1.30% FSS
Temperature Effect on Span	0°C to 60°C ± 0.75% FSS Typical ± 1.00% FSS Max
Maximum error relative to span at 25°C	0°C to 85°C ± 2.00% FSS
Thermal Hysteresis	± 0.15% FSS
Operating temperature range -40°C to 125°C	
Long Term Stability	± 0.20% FSS
1000hours, 5.0V, 25°C	



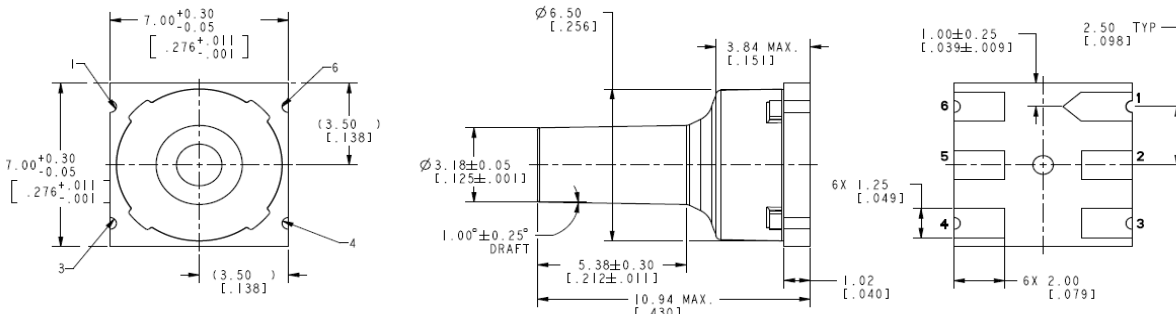
## Environmental Specifications

Humidity	0% to 95% RH, non-condensing
Shock	100g, 6 ms duration
Vibration	15g 10Hz to 2k Hz

## Wetted Materials

Port	High temperature polyamide
Substrate	Alumina ceramic
Adhesives	Epoxy, RTV
Electronic components	silicon, gold, glass

## Dimensions & Connections



PIN FUNCTION						
CIRCUIT	1	2	3	4	5	6
mV OUTPUT	V <sub>s</sub>	NC	V <sub>o-</sub>	GND	NC	V <sub>o+</sub>

For more information, please refer to the TBP platform datasheet (reference product is TBPLLNN400MGUCV).

datasheet revision 5

7/7/2016

## X-ON Electronics

Largest Supplier of Electrical and Electronic Components

*Click to view similar products for [Board Mount Pressure Sensors](#) category:*

*Click to view products by [Honeywell](#) manufacturer:*

Other Similar products are found below :

[80527-25.0H2-05](#) [80541-B00000150-01](#) [80541-B00000200-05](#) [80554-00700100-05](#) [80568-00300050-01](#) [81618-B00000040-01](#) [81739-B00000900-01](#) [81807-B00000020-01](#) [81808-B00000150-14](#) [82903-B00000020-01](#) [93.631.4253.0](#) [93.731.4353.0](#) [93.932.4553.0](#) [136PC150G2](#) [136PC15A1](#) [142PC95AW71](#) [142PC05DW70](#) [MPXV2202DPT1](#) [15PSI-G-4V](#) [1805-01A-L0N-B](#) [2000317-1](#) [26PCBKT](#) [26PCCFA6D26](#) [26PCCFS2G](#) [26PCCVA6D](#) [93.632.7353.0](#) [93.731.3653.0](#) [93.931.4853.0](#) [93.932.4853.0](#) [SCDA120-XSC05DC](#) [SP370-23-156-0](#) [185PC30DH](#) [192992-0059](#) [20INCH-G-MV-MINI](#) [26PCAFJ3G](#) [26PCAFS2G54](#) [26PCCEP5G24](#) [26PCJEU5G19](#) [30INCH-D1-MV-MINI](#) [ASCX15AN-90](#) [TSCSAAN001PDUCV](#) [DCAL401DN](#) [DCAL401GN](#) [XZ202798SSC](#) [XZ203676HSC](#) [SP370-25-116-0](#) [81717-00000050-05](#) [81794-B00001200-01](#) [HSCDLNN100PGAA5](#) [81618-B00000040-05](#)