

# MICRO SWITCH

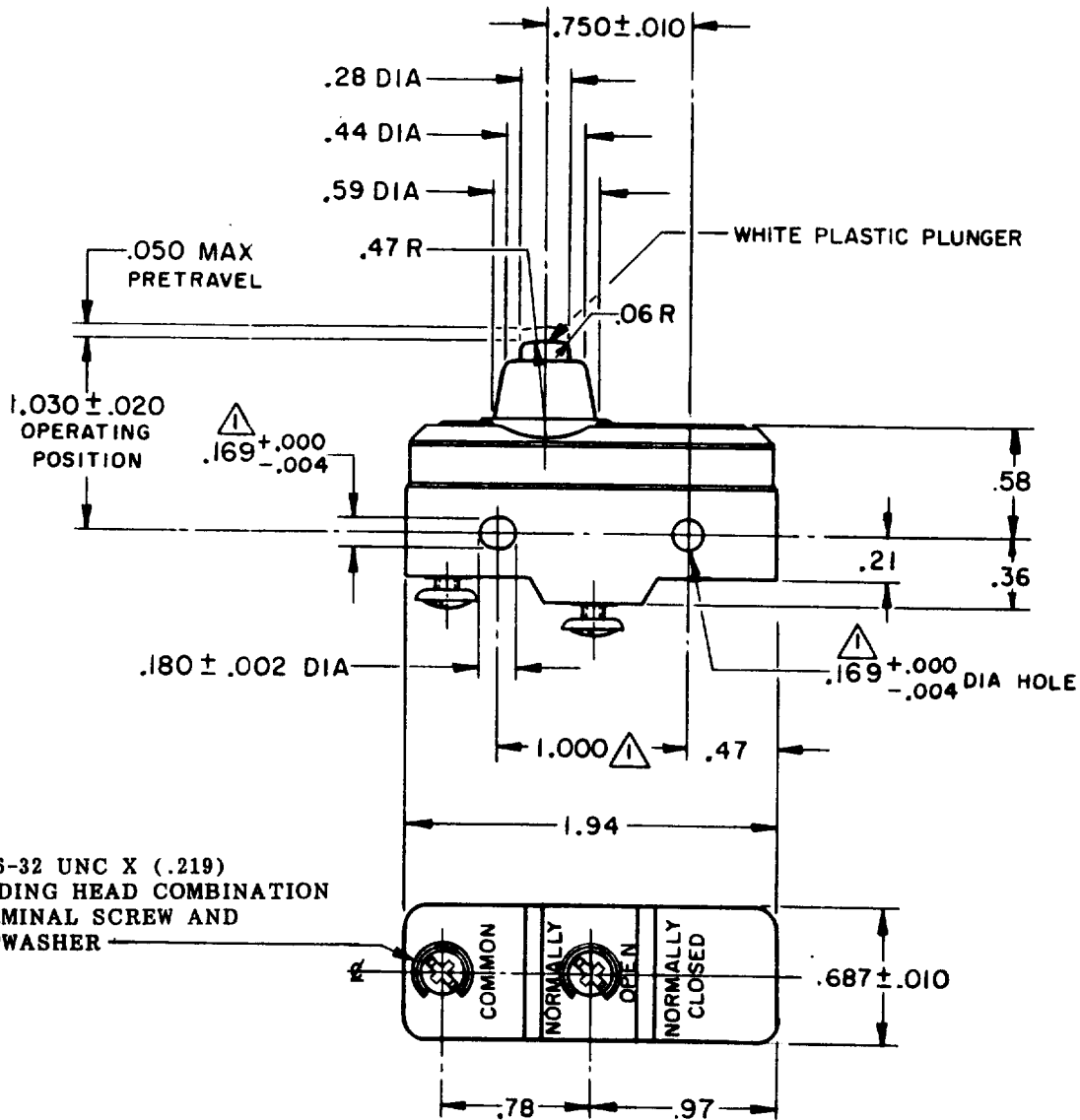
FREERPORT ILLINOIS, U.S.A  
A DIVISION OF HONEYWELL

FED. MFG. CODE 91929

CATALOG LISTING

## YA-2CB16-A2

# SWITCH-BASIC



NOTE -  
 ▲ MOUNTING HOLES WILL ACCEPT PINS OR SCREWS  
 OF .165 MAX DIA ON 1.000 ± .002 CENTERS

THIS DRAWING COVERS A PROPRIETARY ITEM AND IS THE PROPERTY OF MICRO SWITCH, A DIVISION OF HONEYWELL. THIS DRAWING IS NOT TO BE COPIED OR USED WITHOUT THE APPROVAL OF MICRO SWITCH.

CHARACTERISTICS	ELECTRICAL DATA	SCALE FULL
OPERATING FORCE ----- 14-22 OZ	CONTACT ARRANGEMENT S P N O	DO NOT SCALE PRINT
RELEASE FORCE ----- 10 OZ MIN	UNDERWRITERS' LAB. INC. LISTED RATING 15A-125, 250 OR 490 VAC; 10A-125 VAC "L" -L15- 3/4HP-125 VAC; 1 1/2HP-250 VAC 1/2A-125 VDC; 1/4A-250 VDC	UNLESS OTHERWISE NOTED
DIFFERENTIAL TRAVEL ---- .0020-.0075		DIMENSIONS ARE IN INCHES <b>TOLERANCES ARE</b> ONE PLACE (.0) ± .030 TWO PLACE (.00) ± .015 THREE PLACE (.000) ± .005 ANGLES ±
OVERTRAVEL ----- .094 MIN		WEIGHT



M YA-2CB16-A2  
 DRAWING NUMBER  
 X 8  
 ISSUE  
 3  
 REVISIONS  
 A C032630  
 R E R  
 26 NOV 73  
 B C0-73287-J  
 J A L  
 22 NOV 93  
 CHECK  
 25 JUNE 73  
 DRAW  
 21 JUNE 73  
 FO-52848  
 DRAWN

## X-ON Electronics

Largest Supplier of Electrical and Electronic Components

*Click to view similar products for [Basic / Snap Action Switches](#) category:*

*Click to view products by [Honeywell](#) manufacturer:*

Other Similar products are found below :

[5SM901-S12](#) [5SM9-S12N195](#) [602EN532](#) [602EN535-RB](#) [602HE5-RB1](#) [604HE162](#) [604HE223-6B](#) [624HE17-RB](#) [6HM82](#) [6HM89](#) [6SE1](#)  
[6SX1-H58](#) [70500216](#) [70599106](#) [71051](#) [MBH2731](#) [79211923](#) [79218589](#) [7AS12](#) [MIL30126AB6BBMD4A12XAU](#) [ML-1155](#) [ML-1376](#)  
[831010C3.0](#) [831090C2.EL](#) [83131904](#) [84212012](#) [8AS239](#) [8HM73-3](#) [8SX26-H33](#) [914CE1-6G](#) [PL-100](#) [11SM1077-H4](#) [11SM1077-H58](#)  
[11SM1-TN107](#) [11SM405](#) [11SM8423-H2](#) [11SX37-T](#) [11SX48-H58](#) [11SM2442-T](#) [11SM76-T](#) [11SM77-H58](#) [11SM863-T](#) [11SM866](#) [A7CN-](#)  
[1M-1-LEFT](#) [A831700C7.0](#) [121EN188-R](#) [1245.0120](#) [125EN56-RB](#) [D433V3RD](#) [1267.0101](#)