

MICRO SWITCH

FREEPORT ILLINOIS, U.S.A
A DIVISION OF HONEYWELL
FED. MFG. CODE 91929

SWITCH-BASIC

CATALOG LISTING

YA-2RB18-A21

YA-2RB18-A21
PAGE 1 OF 1

REPLACES X71600-YA

RELEASE NO. PR-9396

DRAWING NUMBER
8

ISSUE

REVISIONS

A	C064626	J A	16 JUN 89
B	C066550	J A P	8 JAN 90
C	CO-75287-J	J A L	22 NOV 93
D	CO-77588	K D R	29 MAR 94
E	CO-78846	DLT	17 NOV 94
F	C093346	DLT	27 AUG 98
G	0000624	J A H	23 JUN 03

CHECK

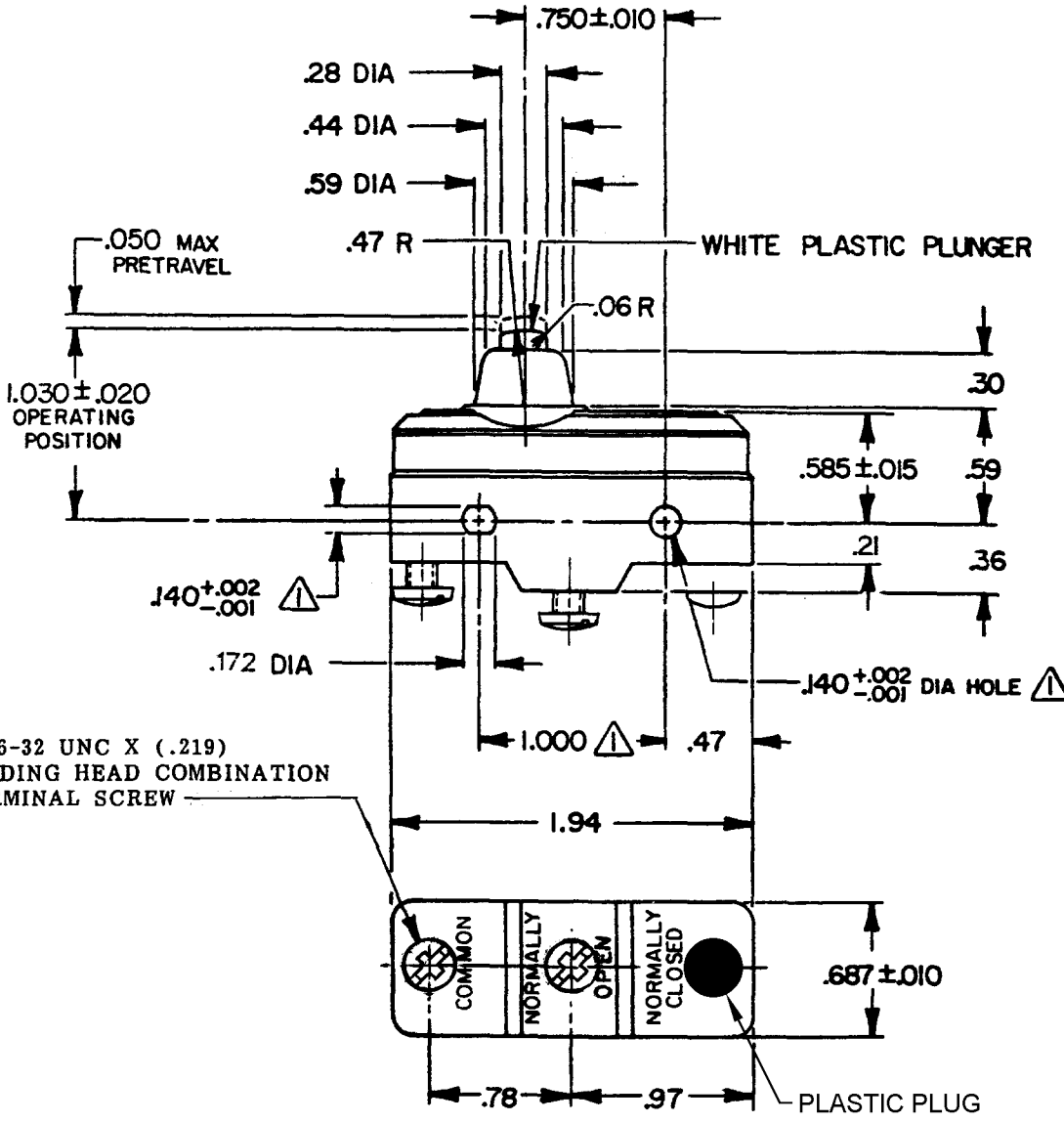
CHECK

CHECK

CHECK

CHECK

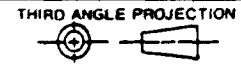
CHECK



NOTES

- 1 MOUNTING HOLES WILL ACCEPT PINS OR SCREWS OF .139 MAX DIA ON 1.000 ± .002 CENTERS

THIS DRAWING COVERS A PROPRIETARY ITEM AND IS THE PROPERTY OF MICRO SWITCH, A DIVISION OF HONEYWELL. THIS DRAWING IS NOT TO BE COPIED OR USED WITHOUT THE APPROVAL OF MICRO SWITCH.



CHARACTERISTICS

OPERATING FORCE ----- 14-22 OZ
RELEASE FORCE ----- 10 OZ MIN
DIFFERENTIAL TRAVEL --- .002 .0075
OVERTRAVEL ----- .094 MIN

ELECTRICAL DATA

CONTACT ARRANGEMENT
S P N O
L23 20A 125, 250, OR 480 VAC
10A 125 VAC "L"
1 HP 125 VAC, 2 HP 250 VAC
1/2 A 125 VDC, 1/4 A 250 VDC
L288
L299
L308
CE D A I

SCALE FULL

DO NOT SCALE PRINT
TOLERANCES
APPLY TO DESIGN UNITS. CONVERSIONS ARE ONLY FOR REFERENCE. UNLESS NOTED, TOLERANCES ARE 2
DESIGN UNITS METRIC US CUSTOMARY
WEIGHT .064 LB

NO PLACES	2	TOL.	mm/in	0.1/.004
ONE PLACE	1	TOL.	mm/in	0.2/.008
TWO PLACES	2, 3	TOL.	mm/in	0.4/.015
THREE PLACES	1, 2, 3	TOL.	mm/in	0.75/.030

RASTER
FO-52848-A

DRAWN
R J H

30 SEP 80

X-ON Electronics

Largest Supplier of Electrical and Electronic Components

Click to view similar products for [Basic / Snap Action Switches](#) category:

Click to view products by [Honeywell](#) manufacturer:

Other Similar products are found below :

[5SM901-S12](#) [5SM9-S12N195](#) [01.098.1358.1](#) [602EN532](#) [602EN535-RB](#) [602HE5-RB1](#) [604HE162](#) [604HE223-6B](#) [624HE17-RB](#) [6HM82](#)
[6HM89](#) [6SE1](#) [6SX1-H58](#) [70500216](#) [70599106](#) [MBD5B1](#) [MBH2731](#) [73-316-0012](#) [EXD-AR20](#) [79211923](#) [79218589](#) [7AS12](#)
[MIL30126AB6BBMD4A12XAU](#) [ML-1155](#) [ML-1376](#) [831010C3.0](#) [831090C2.EL](#) [83131904](#) [84212012](#) [8AS239](#) [8HM73-3](#) [8SX26-H33](#)
[914CE1-6G](#) [PL-100](#) [11SM1077-H4](#) [11SM1077-H58](#) [11SM1-TN107](#) [11SM405](#) [11SM8423-H2](#) [11SX37-T](#) [11SX48-H58](#) [11SM2442-T](#)
[11SM76-T](#) [11SM77-H58](#) [11SM77-T](#) [11SM863-T](#) [11SM866](#) [A7CN-1M-1-LEFT](#) [A831700C7.0](#) [121EN187-R](#)