

MICRO SWITCH

FREEPORT ILLINOIS, U.S.A
A DIVISION OF HONEYWELL INC.
FED. MFG. CODE 91929

SWITCH - BASIC

CATALOG LISTING

YA-2RB-A64

ADJ7064

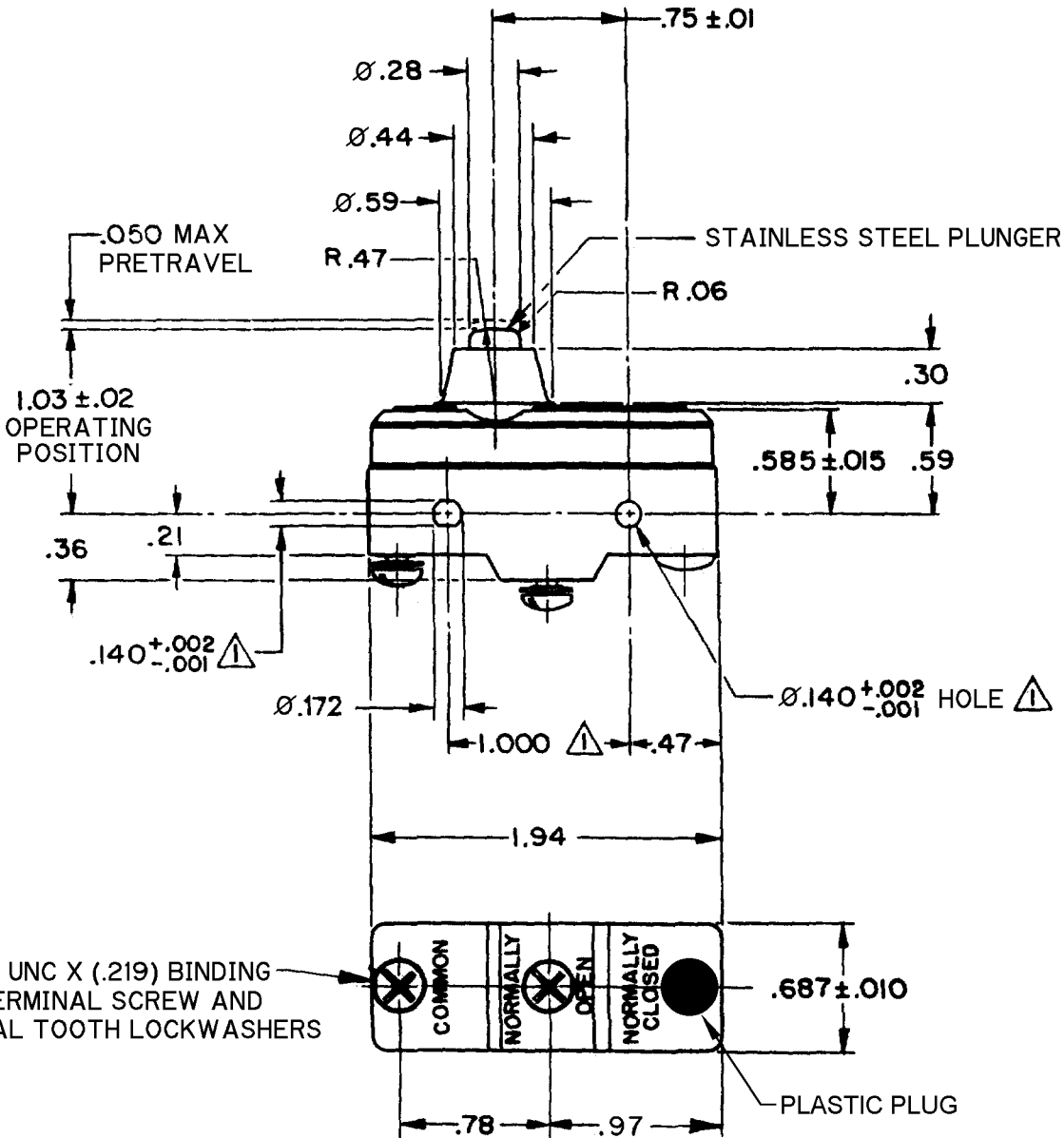
CATALOG LISTING
YA-2RB-A64
PAGE 1 OF 1

ISSUE
M
7

REPLACES X81367-YA
PR-13830-T
RELEASE NO.

REVISIONS

| | | |
|---|---------------|---------|
| A | CO-77588 | 09JAN06 |
| | KDR 29 MAR 94 | |
| B | CO93084 | |
| | JAS 15 JUL 98 | |
| C | CO93346 | |
| | DLT 27 AUG 98 | |
| D | CO-95750-B | |
| | CSL 29 MAR 00 | |
| E | 0000624 | |
| | JAH 23 JUN 03 | |
| F | 0017742 | |
| | TSG 09JAN06 | |



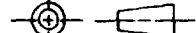
2X 6-32 UNC X (.219) BINDING HEAD TERMINAL SCREW AND INTERNAL TOOTH LOCKWASHERS

NOTE
1 MOUNTING HOLES WILL ACCEPT PINS OR SCREWS OF Ø.139 MAX ON 1.000±.002 CENTERS

ANSI Y14.5M-1982 APPLIES

THIS DRAWING COVERS A PROPRIETARY ITEM AND IS THE PROPERTY OF MICRO SWITCH, A DIVISION OF HONEYWELL. THIS DRAWING IS NOT TO BE COPIED OR USED WITHOUT THE APPROVAL OF MICRO SWITCH.

THIRD ANGLE PROJECTION



CHARACTERISTICS

OPERATING FORCE ----- 14-22 OZ
RELEASE FORCE ----- 10 OZ MIN
DIFFERENTIAL TRAVEL ----- .002-.0075
OVERTRAVEL ----- .094 MIN

ELECTRICAL DATA

CONTACT ARRANGEMENT
S P N O
L23 20A 125, 250, OR 480 VAC
10A 125 VAC "L"
1 HP 125 VAC, 2 HP 250 VAC
1/2 A 125 VDC, 1/4 A 250 VDC

L288
L308
L315



20(3)A 250V ~ T85 5E4

SCALE FULL

DO NOT SCALE PRINT

UNLESS OTHERWISE SPECIFIED TOLERANCES ARE

ONE PLACE (.0) ± .030
TWO PLACE (.00) ± .015
THREE PLACE (.000) ± .005

ANGLES ±
RAW MATERIAL - COMMERCIAL STANDARD

DIMENSIONS ARE IN INCHES AND ARE TO BE MET BEFORE PROTECTIVE COATINGS ARE APPLIED

MICRO SWITCH STANDARDS APPLY

WEIGHT .064 LB

RASTER

DRAWN

T S K 10 APR 85 CHECK KAG 11 APR 85

X-ON Electronics

Largest Supplier of Electrical and Electronic Components

Click to view similar products for [Basic / Snap Action Switches](#) category:

Click to view products by [Honeywell](#) manufacturer:

Other Similar products are found below :

[5SM901-S12](#) [5SM9-S12N195](#) [01.098.1358.1](#) [602EN532](#) [602EN535-RB](#) [602HE5-RB1](#) [604HE162](#) [604HE223-6B](#) [624HE17-RB](#) [6HM82](#)
[6HM89](#) [6SE1](#) [6SX1-H58](#) [70500216](#) [70599106](#) [MBD5B1](#) [MBH2731](#) [73-316-0012](#) [EXD-AR20](#) [79211923](#) [79218589](#) [7AS12](#)
[MIL30126AB6BBMD4A12XAU](#) [ML-1155](#) [ML-1376](#) [831010C3.0](#) [831090C2.EL](#) [83131904](#) [84212012](#) [8AS239](#) [8HM73-3](#) [8SX26-H33](#)
[914CE1-6G](#) [PL-100](#) [11SM1077-H4](#) [11SM1077-H58](#) [11SM1-TN107](#) [11SM405](#) [11SM8423-H2](#) [11SX37-T](#) [11SX48-H58](#) [11SM2442-T](#)
[11SM76-T](#) [11SM77-H58](#) [11SM77-T](#) [11SM863-T](#) [11SM866](#) [A7CN-1M-1-LEFT](#) [A831700C7.0](#) [121EN187-R](#)