

# MICRO SWITCH

A DIVISION OF HONEYWELL-ROBERTS COMPANY  
FREDERICK, MARYLAND

FED. MFR. CODE 91929

## SWITCH-BASIC

CATALOG LISTING

YA-3R64-A2

YA-3R64-A2  
PAGE 1 OF 1

M

DRAWING NUMBER

6

ISSUE

REPLACES

RELEASE NO. SR 7086

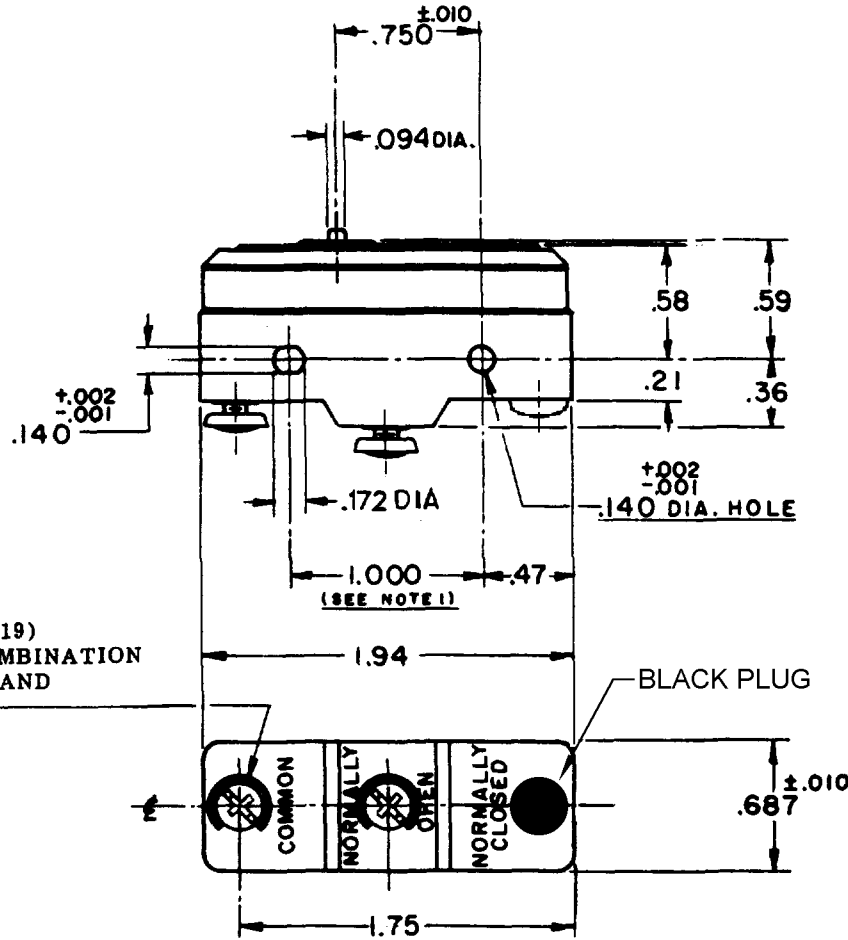
CWR 1 Nov 57

CNT 31 Oct 58

GCH 4 Nov 59

REVISIONS

A	C034308	
K	P	
	NOV 72	
B	CO-73287-J	
	JAL	
	22 NOV 93	
C	CO-77588	
	KDR	
	29 MAR 94	
D	C093346	
	DLT	
	27 AUG 98	
E	0000683	
	CSL	
	2 JUL 03	



2X 6-32 UNC X (.219)  
BINDING HEAD COMBINATION  
TERMINAL SCREW AND  
CUPWASHER

BLACK PLUG

**NOTE**

1- MOUNTING HOLES WILL ACCEPT PINS OR SCREWS  
OF .139 MAX. DIA. ON 1.000 ±.002 CENTERS.

THIS DRAWING COVERS A PROPRIETARY ITEM AND IS THE PROPERTY OF MICRO SWITCH, A DIVISION OF HONEYWELL. THIS DRAWING IS NOT TO BE COPIED OR USED WITHOUT THE APPROVAL OF MICRO SWITCH.

CHARACTERISTICS	ELECTRICAL DATA	SCALE FULL
OPERATING FORCE-----30 OZ. MAX.	CONTACT ARRANGEMENT	DO NOT SCALE PRINT
DIFFERENTIAL FORCE-----12-16 OZ.	S. P. N. O.	UNLESS OTHERWISE SPECIFIED DIMENSIONS ARE IN INCHES
RELEASE FORCE-----10 OZ. MIN.	L23 UNDERWRITERS' LAB. INC. LISTED RATING 20A - 125, 250 OR 480 VAC 10A - 125 VAC "L" 1HP - 125 VAC, 2HP - 250 VAC 1/2A - 125 VDC, 1/4A - 250 VDC	<b>TOLERANCES ARE:</b> ONE PLACE (.0) ±.030 TWO PLACE (.00) ±.015 THREE PLACE (.000) ±.005 ANGLES ±
OVERTRAVEL-----0.010 MIN.	L288 L299 L308 CE D SA 20(3)A 250V ~ T85 5E4	WEIGHT .063 LB.

RASTER

DRAWN

74-86

K.L.B. 30 OCT. 57 CHECK

## X-ON Electronics

Largest Supplier of Electrical and Electronic Components

*Click to view similar products for [Basic / Snap Action Switches](#) category:*

*Click to view products by [Honeywell](#) manufacturer:*

Other Similar products are found below :

[5SM901-S12](#) [5SM9-S12N195](#) [01.098.1358.1](#) [602EN532](#) [602EN535-RB](#) [602HE5-RB1](#) [604HE162](#) [604HE223-6B](#) [624HE17-RB](#) [6HM82](#)  
[6HM89](#) [6SE1](#) [6SX1-H58](#) [70500216](#) [70599106](#) [MBD5B1](#) [MBH2731](#) [73-316-0012](#) [EXD-AR20](#) [79211923](#) [79218589](#) [7AS12](#)  
[MIL30126AB6BBMD4A12XAU](#) [ML-1155](#) [ML-1376](#) [831010C3.0](#) [831090C2.EL](#) [83131904](#) [84212012](#) [8AS239](#) [8HM73-3](#) [8SX26-H33](#)  
[914CE1-6G](#) [PL-100](#) [11SM1077-H4](#) [11SM1077-H58](#) [11SM1-TN107](#) [11SM405](#) [11SM8423-H2](#) [11SX37-T](#) [11SX48-H58](#) [11SM2442-T](#)  
[11SM76-T](#) [11SM77-H58](#) [11SM77-T](#) [11SM863-T](#) [11SM866](#) [A7CN-1M-1-LEFT](#) [A831700C7.0](#) [121EN187-R](#)