

# MICRO SWITCH

FREEPORT ILLINOIS, U.S.A  
A DIVISION OF HONEYWELL

FED. MFG. CODE 91929

# SWITCH-BASIC

CATALOG LISTING

## YE-2RB-A2

CATALOG LISTING  
**YE-2RB-A2**

**M**

DRAWING NUMBER

ISSUE  
**5**

REVISIONS

A	CO-73287-J	JAL	22 NOV 93
B	CO-77568	KDR	29 MAR 94
C	CO-95750-B	CSL	31 MAR 00
D	0000624	JAH	23 JUN 03

REPLACES

RELEASE NO. PR-16265

PAGE 1 OF 1

CHECK

CHECK

7 MAR 88

DCS

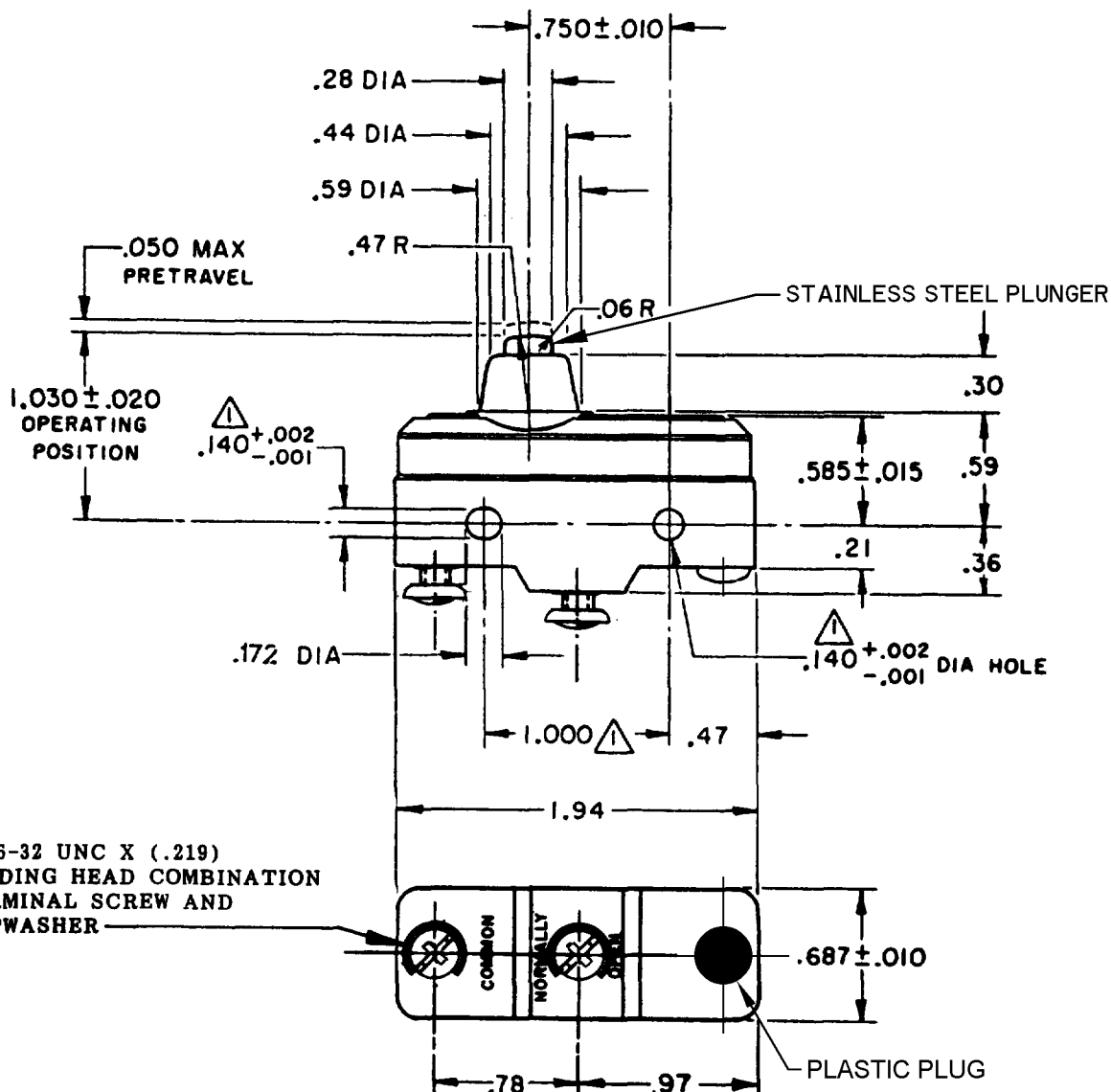
88

MAR

FO-52848-A

RASTER

DRAWN

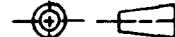


2X 6-32 UNC X (.219)  
BINDING HEAD COMBINATION  
TERMINAL SCREW AND  
CUPWASHER

NOTE -  
▲ MOUNTING HOLES WILL ACCEPT PINS OR SCREWS  
OF .139 MAX DIA ON 1.000 ± .002 CENTERS

THIS DRAWING COVERS A PROPRIETARY ITEM AND IS THE PROPERTY OF MICRO SWITCH, A DIVISION OF HONEYWELL. THIS DRAWING IS NOT TO BE COPIED OR USED WITHOUT THE APPROVAL OF MICRO SWITCH.

THIRD ANGLE PROJECTION



### CHARACTERISTICS

OPERATING FORCE ----- 14-22 OZ

RELEASE FORCE ----- 10 OZ MIN

DIFFERENTIAL TRAVEL -- .0020-.0075

OVERTRAVEL ----- .094 MIN

### ELECTRICAL DATA

CONTACT ARRANGEMENT  
S P N O

25A-125 or 250VAC  
1HP-125VAC; 2HP-250VAC  
PILOT DUTY 750VA-125, 250, 277VAC  
60/75°C(Cu)

SCALE FULL

DO NOT SCALE PRINT

#### TOLERANCES

APPLY TO DIMEN UNITS. CONVERSIONS ARE ONLY FOR REFERENCE. UNLESS NOTED, TOLERANCES ARE ±

	DIM.	TOL.	DIM.	TOL.
	in	mm/in	in	mm/in
NO PLACES	X	1/64	X	0.254
ONE PLACE	X,X	0.0010	X,X	0.0254
TWO PLACES	X,XX	0.0005	X,XX	0.0127
THREE PLACES	X,XXX	0.00025	X,XXX	0.00635

DESIGN UNITS  IN METRIC

US CUSTOMARY

WEIGHT .064 LB

## X-ON Electronics

Largest Supplier of Electrical and Electronic Components

*Click to view similar products for [Basic / Snap Action Switches](#) category:*

*Click to view products by [Honeywell](#) manufacturer:*

Other Similar products are found below :

[83228001](#) [01.098.1358.1](#) [602EN1-6B](#) [602EN532](#) [602EN535-RB](#) [602HE5-RB1](#) [604HE162](#) [604HE223-6B](#) [624HE17-RB](#) [6HM89](#) [6PA78-JM](#)  
[6SE1](#) [6SX1-H58](#) [70500840](#) [MBD5B1](#) [MBH2731](#) [73-316-0012](#) [79211759](#) [79211923](#) [79218589](#) [7AS12](#) [ML-1155](#) [ML-1376](#) [831010C3.0](#)  
[831060C3.TL](#) [831090C2.EL](#) [83131904](#) [84212012](#) [8AS239](#) [8HM73-3](#) [903VB1-PG](#) [914CE1-6G](#) [PL-100](#) [11SM1077-H4](#) [11SM1077-H58](#)  
[11SM1-TN107](#) [11SM405](#) [11SM703-T](#) [11SM8423-H2](#) [11SX37-T](#) [11SX48-H58](#) [11SX55-H58](#) [11SM2442-T](#) [11SM76-T](#) [11SM77-H58](#)  
[11SM77-T](#) [11SM863-T](#) [11SM866](#) [11SX47-H58](#) [A7CN-1M-1-LEFT](#)