

MICRO SWITCH

FREEMONT ILLINOIS, U.S.A
A DIVISION OF HONEYWELL
FED. MFG. CODE 91929

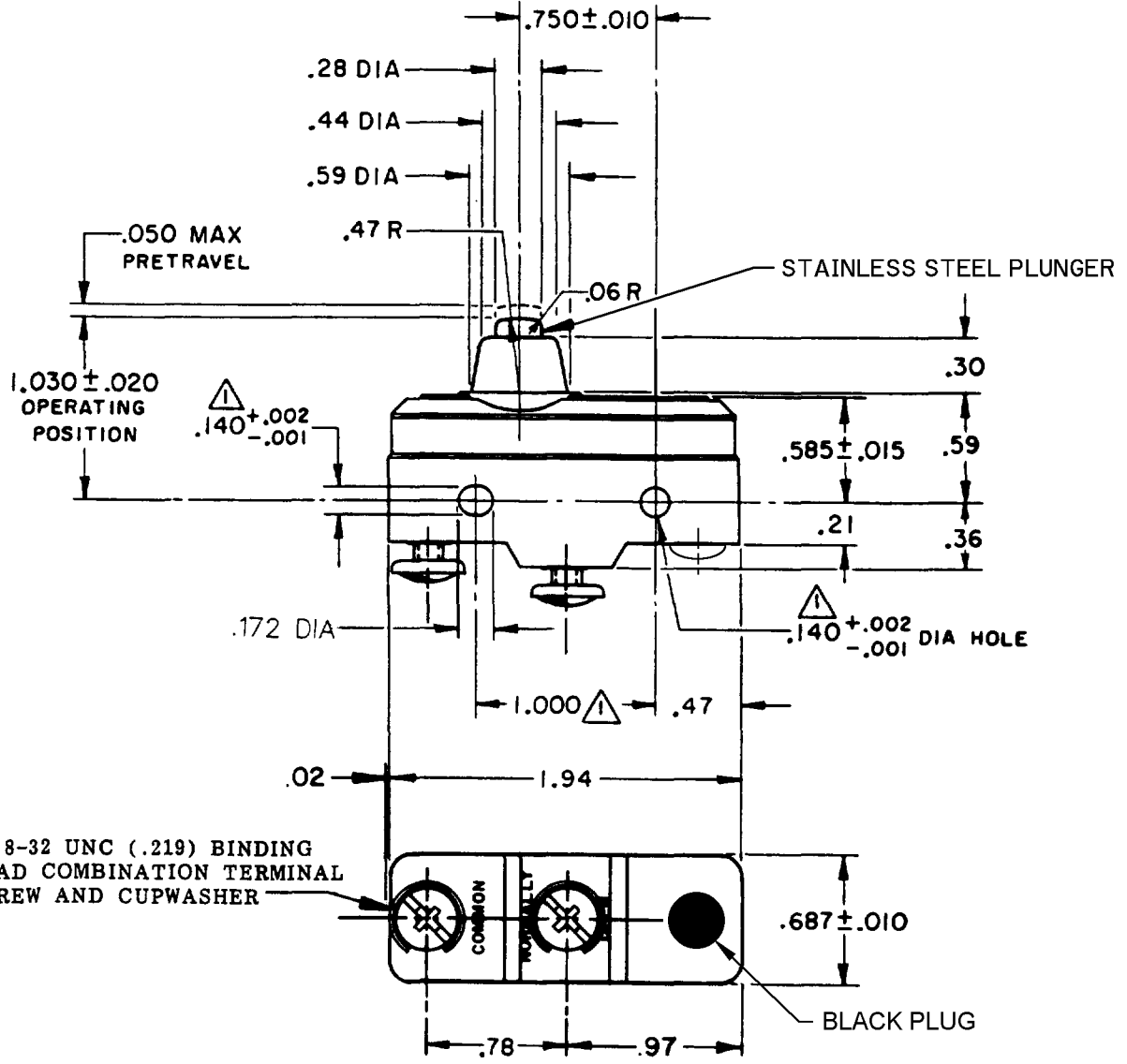
SWITCH-BASIC

CATALOG LISTING

YE-2RB-A4

CATALOG LISTING
YE-2RB-A4
 PAGE 1 OF 1
M
 DRAWING NUMBER
6
 ISSUE
 REVISIONS
 A CO 58782 WJM 24 JAN 86
 B CO 73287-G JAL 20 OCT 93
 C CO 77588 TSM 29 MAR 94
 D CO 95750-B CSL 3 APR 00
 E 0000782 JAH 7 JUL 03
 CHECK
 29 OCT 74
 26 OCT 74
 DRAWN
 RASTER
 FO-52848-A
 GLH

REPLACES
PR-4534
 CHECK
 29 OCT 74



NOTE
 MOUNTING HOLES WILL ACCEPT PINS OR SCREWS OF .139 MAX DIA ON 1.000 ± .002 CENTERS

THIS DRAWING COVERS A PROPRIETARY ITEM AND IS THE PROPERTY OF MICRO SWITCH, A DIVISION OF HONEYWELL. THIS DRAWING IS NOT TO BE COPIED OR USED WITHOUT THE APPROVAL OF MICRO SWITCH.

THIRD ANGLE PROJECTION

CHARACTERISTICS	
OPERATING FORCE	----14-22 OZ
RELEASE FORCE	----10 OZ MIN
DIFFERENTIAL TRAVEL	--.0020-.0075
OVERTRAVEL	----.094 MIN

ELECTRICAL DATA	
CONTACT ARRANGEMENT S P N O	
25A-125 or 250VAC 1HP-125VAC; 2HP-250VAC PILOT DUTY 750VA-125, 250, 277VAC 60/75°C(Cu)	

SCALE FULL				
DO NOT SCALE PRINT				
TOLERANCES APPLY TO DESIGN UNITS. CONVERSIONS ARE ONLY FOR REFERENCE. UNLESS NOTED, TOLERANCES ARE 3:				
	DIM. mm	TOL. mm/in	DIM. in	TOL. mm/in
NO PLACES	X	1/64	X	0.01
ONE PLACE	X,X	0.4/0.016	X,X	0.06/0.0025
TWO PLACES	X,XX	0.16/0.006	X,XX	0.36/0.014
THREE PLACES	X,XXX	0.13/0.005	X,XXX	0.13/0.005
DESIGN UNITS		SI METRIC	US CUSTOMARY	
WEIGHT		.064 LB		

X-ON Electronics

Largest Supplier of Electrical and Electronic Components

Click to view similar products for [Basic / Snap Action Switches](#) category:

Click to view products by [Honeywell](#) manufacturer:

Other Similar products are found below :

[5SM901-S12](#) [5SM9-S12N195](#) [01.098.1358.1](#) [602EN532](#) [602EN535-RB](#) [602HE5-RB1](#) [604HE162](#) [604HE223-6B](#) [624HE17-RB](#) [6HM82](#)
[6HM89](#) [6SE1](#) [6SX1-H58](#) [70500216](#) [70599106](#) [MBD5B1](#) [MBH2731](#) [73-316-0012](#) [EXD-AR20](#) [79211923](#) [79218589](#) [7AS12](#)
[MIL30126AB6BBMD4A12XAU](#) [ML-1155](#) [ML-1376](#) [831010C3.0](#) [831090C2.EL](#) [83131904](#) [84212012](#) [8AS239](#) [8HM73-3](#) [8SX26-H33](#)
[914CE1-6G](#) [PL-100](#) [11SM1077-H4](#) [11SM1077-H58](#) [11SM1-TN107](#) [11SM405](#) [11SM8423-H2](#) [11SX37-T](#) [11SX48-H58](#) [11SM2442-T](#)
[11SM76-T](#) [11SM77-H58](#) [11SM77-T](#) [11SM863-T](#) [11SM866](#) [A7CN-1M-1-LEFT](#) [A831700C7.0](#) [121EN187-R](#)