

# MICRO SWITCH

FREERPORT ILLINOIS, U.S.A  
A DIVISION OF HONEYWELL  
FED. MFG. CODE 91929

## SWITCH-BASIC

CATALOG LISTING  
**YE-2RV248-D6**

CATALOG LISTING  
**YE-2RV248-D6**

PAGE 1 OF 1

ISSUE  
**M**  
6

REPLACES

RELEASE NO. PR-12762

CHECK

REVISIONS

A	C080986	JALA	11 JUN 95
B	C092958	JAS	15 MAY 98
C	0000831	CSL	10 JUL 03

CHECK

31 JAN 84

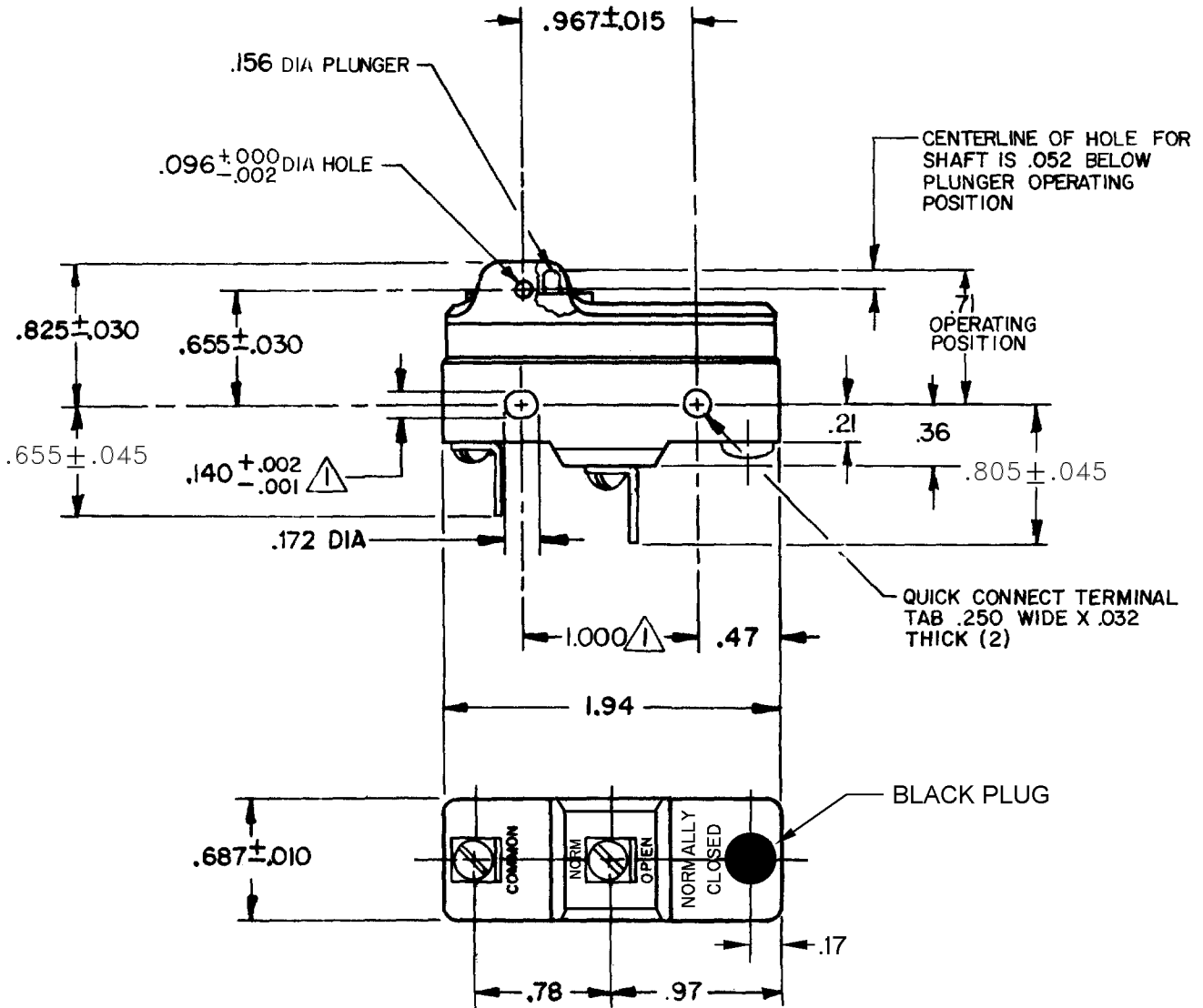
C.E.C.

30 JAN 84

RASTER

DRAWN

JAS

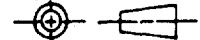


NOTES

- 1 MOUNTING HOLES WILL ACCEPT PINS OR SCREWS OF .139 MAX DIA ON 1.000 ± .002 CENTERS
- 2 - LEVER (1), AND PIN (1) FURNISHED UNASSEMBLED
- 3 - SWITCH WILL WITHSTAND TEMPERATURE OF 250°F

THIS DRAWING COVERS A PROPRIETARY ITEM AND IS THE PROPERTY OF MICRO SWITCH, A DIVISION OF HONEYWELL. THIS DRAWING IS NOT TO BE COPIED OR USED WITHOUT THE APPROVAL OF MICRO SWITCH.

THIRD ANGLE PROJECTION



**CHARACTERISTICS**

OPERATING FORCE -----15-21 OZ  
RELEASE FORCE -----10-14 OZ  
PRETRAVEL ----- .050 MAX  
DIFFERENTIAL TRAVEL ----- .0020-.0075  
OVERTRAVEL ----- .010 MIN

**ELECTRICAL DATA**

CONTACT ARRANGEMENT  
S P N O  
25A 125, 250 480 VAC  
1 HP 125 VAC, 2 HP 250 OR 480 VAC  
PILOT DUTY  
750 VA 480 VAC, MAX  
60/75°C (Cu)

**SCALE FULL**

DO NOT SCALE PRINT

TOLERANCES  
APPLY TO DIMEN UNITS. CONVERSIONS ARE ONLY FOR REFERENCE. UNLESS NOTED, TOLERANCES ARE 2

	DIM.	TOL.	DIM.	TOL.
	mm	mm/in	in	mm/in
NO PLACES	X	17.04	X, X	0.07/05
ONE PLACE	X, X	0.41/018	X, XX	0.38/018
TWO PLACES	X, XX	0.157/006	X, XXX	0.157/006
THREE PLACES				
ANGLES				

DESIGN UNITS  SI METRIC  US CUSTOMARY

WEIGHT

## X-ON Electronics

Largest Supplier of Electrical and Electronic Components

*Click to view similar products for [Basic / Snap Action Switches](#) category:*

*Click to view products by [Honeywell](#) manufacturer:*

Other Similar products are found below :

[5SM901-S12](#) [5SM9-S12N195](#) [01.098.1358.1](#) [602EN532](#) [602EN535-RB](#) [602HE5-RB1](#) [604HE162](#) [604HE223-6B](#) [624HE17-RB](#) [6HM82](#)  
[6HM89](#) [6SE1](#) [6SX1-H58](#) [70500216](#) [70599106](#) [MBD5B1](#) [MBH2731](#) [73-316-0012](#) [EXD-AR20](#) [79211923](#) [79218589](#) [7AS12](#)  
[MIL30126AB6BBMD4A12XAU](#) [ML-1155](#) [ML-1376](#) [831010C3.0](#) [831090C2.EL](#) [83131904](#) [84212012](#) [8AS239](#) [8HM73-3](#) [8SX26-H33](#)  
[914CE1-6G](#) [PL-100](#) [11SM1077-H4](#) [11SM1077-H58](#) [11SM1-TN107](#) [11SM405](#) [11SM8423-H2](#) [11SX37-T](#) [11SX48-H58](#) [11SM2442-T](#)  
[11SM76-T](#) [11SM77-H58](#) [11SM77-T](#) [11SM863-T](#) [11SM866](#) [A7CN-1M-1-LEFT](#) [A831700C7.0](#) [121EN187-R](#)