

MICRO SWITCH
a Honeywell Division

FED. MFG. CODE 91929

SWITCH - BASIC

CATALOG LISTING
YM-1R2450

REPLACES X113146-YM

CATALOG LISTING
YM-1R2450
PAGE 1 OF 1
M
ISSUE **5**

03DEC07 RELEASE NO. 201225

ASD

CHECK

REVISIONS

A	202811	CSL	9 APR 01
B	0001030	JAH	1 AUG 03
C	0033747	MST	12 SEP 07
D	0035412	BS	03 DEC 07

PSR

CHECK

5 SEP 00

SAV

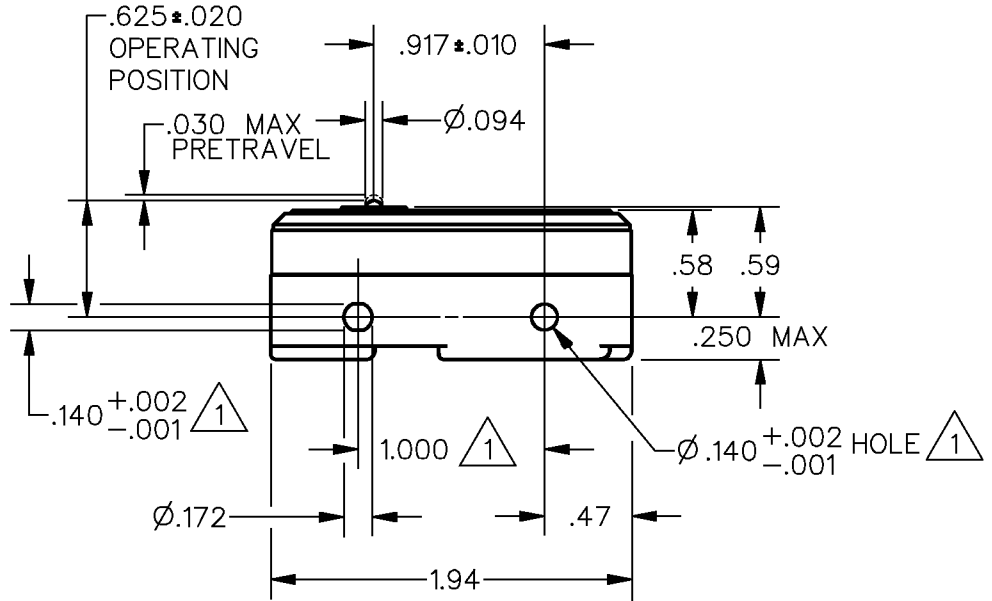
CHECK

5 SEP 00

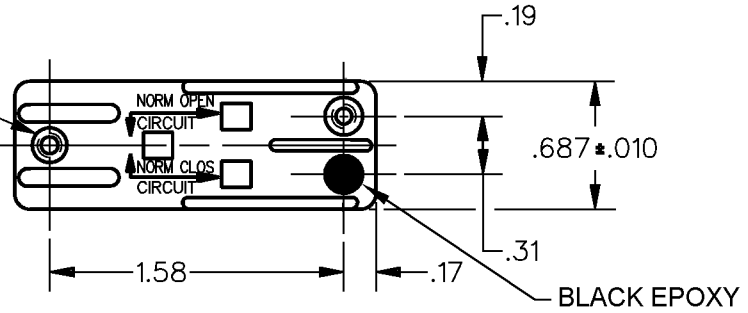
CHECK

5 SEP 00

RASTER
DRAWN



2X 4-40 UNS THREAD
(MOD. PITCH Ø.0930-
.0991) ∇ .157 MIN IN
INSERTS FOR TER-
MINAL CONNECTIONS
(COMMON AND
NORMALLY OPEN)

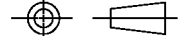


NOTE
 1 MOUNTING HOLES WILL ACCEPT PINS OR SCREWS
 OF Ø.139 MAX ON 1.000 ± .002 CENTERS
 2 - SWITCH WILL WITHSTAND TEMPERATURE OF 250° F

ANSI Y14.5M-1982 APPLIES

THIS DRAWING COVERS A PROPRIETARY ITEM AND IS THE PROPERTY OF MICRO SWITCH, A DIVISION OF HONEYWELL. THIS DRAWING IS NOT TO BE COPIED OR USED WITHOUT THE APPROVAL OF MICRO SWITCH.

THIRD ANGLE PROJECTION



CHARACTERISTICS	ELECTRICAL DATA	SCALE FULL	DO NOT SCALE PRINT
OPERATING FORCE — — — — 11-22 OZ	CONTACT ARRANGEMENT S P N O	UNLESS OTHERWISE SPECIFIED TOLERANCES ARE	
DIFFERENTIAL FORCE — — — .5-2.5 OZ	L316	ONE PLACE (.0)	±.030
RELEASE FORCE — — — — 9 OZ MIN	15A 480 VAC	TWO PLACE (.00)	±.015
DIFFERENTIAL TRAVEL — — .0002-.0008	22A 125, 277 VAC	THREE PLACE (.000)	±.005
OVERTRAVEL — — — — .010 MIN	1/4HP 125 VAC, 1/2HP 250 VAC	ANGLES	±
	L288 L310 L315 L318	WEIGHT .050 LB	



X-ON Electronics

Largest Supplier of Electrical and Electronic Components

Click to view similar products for [Basic / Snap Action Switches](#) category:

Click to view products by [Honeywell](#) manufacturer:

Other Similar products are found below :

[5SM901-S12](#) [5SM9-S12N195](#) [01.098.1358.1](#) [602EN532](#) [602EN535-RB](#) [602HE5-RB1](#) [604HE162](#) [604HE223-6B](#) [624HE17-RB](#) [6HM82](#)
[6HM89](#) [6SE1](#) [6SX1-H58](#) [70500216](#) [70599106](#) [MBD5B1](#) [MBH2731](#) [73-316-0012](#) [EXD-AR20](#) [79211923](#) [79218589](#) [7AS12](#)
[MIL30126AB6BBMD4A12XAU](#) [ML-1155](#) [ML-1376](#) [831010C3.0](#) [831090C2.EL](#) [83131904](#) [84212012](#) [8AS239](#) [8HM73-3](#) [8SX26-H33](#)
[914CE1-6G](#) [PL-100](#) [11SM1077-H4](#) [11SM1077-H58](#) [11SM1-TN107](#) [11SM405](#) [11SM8423-H2](#) [11SX37-T](#) [11SX48-H58](#) [11SM2442-T](#)
[11SM76-T](#) [11SM77-H58](#) [11SM77-T](#) [11SM863-T](#) [11SM866](#) [A7CN-1M-1-LEFT](#) [A831700C7.0](#) [121EN187-R](#)