

MICRO SWITCH

FREEPORT ILLINOIS, U.S.A
A DIVISION OF HONEYWELL
FED. MFG. CODE 91929

SWITCH - BASIC

CATALOG LISTING

YZ-2R5556T

AWG8551

YZ-2R5556T

PAGE 1 OF 1

X115108-YZ

REPLACES

ECO-0005292

RELEASE NO.

M

DRAWING NUMBER

B

ISSUE

REVISIONS

A	0015138	SPK	29 AUG 05
---	---------	-----	-----------

06 MAY 04

06 MAY 04

06 MAY 04

06 MAY 04

06 MAY 04

06 MAY 04

06 MAY 04

06 MAY 04

06 MAY 04

06 MAY 04

06 MAY 04

06 MAY 04

06 MAY 04

06 MAY 04

06 MAY 04

06 MAY 04

06 MAY 04

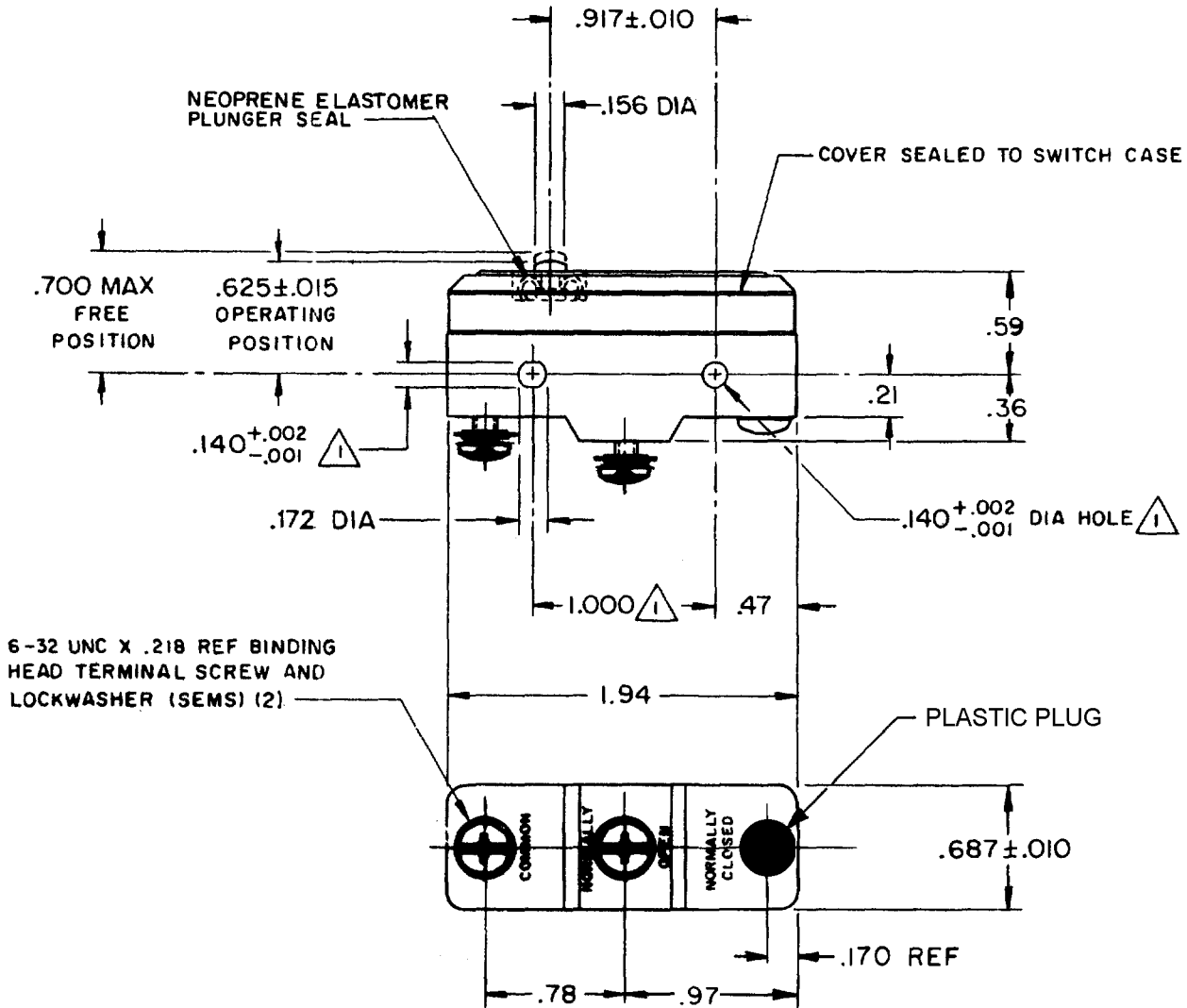
06 MAY 04

06 MAY 04

06 MAY 04

06 MAY 04

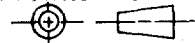
06 MAY 04



- NOTES**
- 1 MOUNTING HOLES WILL ACCEPT PINS OR SCREWS OF .139 MAX DIA ON 1.000±.002 CENTERS
 - 2 - SEALED CONSTRUCTION PROVIDES SPLASH RESISTANCE

THIS DRAWING COVERS A PROPRIETARY ITEM AND IS THE PROPERTY OF MICRO SWITCH, A DIVISION OF HONEYWELL. THIS DRAWING IS NOT TO BE COPIED OR USED WITHOUT THE APPROVAL OF MICRO SWITCH.

THIRD ANGLE PROJECTION



CHARACTERISTICS	ELECTRICAL DATA	SCALE FULL																								
OPERATING FORCE-----8-15 OZ	CONTACT ARRANGEMENT S P N O	DO NOT SCALE PRINT																								
RELEASE FORCE-----4 OZ MIN	L96 15A 125, 250 OR 480 VAC 1/8 HP 125 VAC, 1/4 HP 250 VAC 1/2A 125 VDC, 1/4A 250 VDC	TOLERANCES APPLY TO DESIGN UNITS. CONVERSIONS ARE ONLY FOR REFERENCE. UNLESS NOTED, TOLERANCES ARE ±																								
DIFFERENTIAL TRAVEL-----.0004-.0025	-L288- -L306- -L315-	<table border="1"> <thead> <tr> <th>DM.</th> <th>TOL.</th> <th>DM.</th> <th>TOL.</th> </tr> <tr> <th>mm</th> <th>mm/in</th> <th>in</th> <th>mm/in</th> </tr> </thead> <tbody> <tr> <td>NO PLACES</td> <td>X</td> <td>1/04</td> <td></td> </tr> <tr> <td>ONE PLACE</td> <td>X,X</td> <td>0.4/016</td> <td>X,X 0.8/03</td> </tr> <tr> <td>TWO PLACES</td> <td>X,XX</td> <td>0.15/006</td> <td>X,XX 0.38/016</td> </tr> <tr> <td>THREE PLACES</td> <td>X,XXX</td> <td></td> <td>X,XXX 0.13/005</td> </tr> </tbody> </table>	DM.	TOL.	DM.	TOL.	mm	mm/in	in	mm/in	NO PLACES	X	1/04		ONE PLACE	X,X	0.4/016	X,X 0.8/03	TWO PLACES	X,XX	0.15/006	X,XX 0.38/016	THREE PLACES	X,XXX		X,XXX 0.13/005
DM.	TOL.	DM.	TOL.																							
mm	mm/in	in	mm/in																							
NO PLACES	X	1/04																								
ONE PLACE	X,X	0.4/016	X,X 0.8/03																							
TWO PLACES	X,XX	0.15/006	X,XX 0.38/016																							
THREE PLACES	X,XXX		X,XXX 0.13/005																							
OVERTRAVEL-----.005 MIN	EN 05 	DESIGN UNITS <input type="checkbox"/> SI METRIC <input type="checkbox"/> US CUSTOMARY <input checked="" type="checkbox"/>																								
	16A 250V ~ T85 5E4	WEIGHT .065 LB																								

RASTER

FO-52848-A

DRAWN

06 MAY 04

06 MAY 04

06 MAY 04

06 MAY 04

06 MAY 04

06 MAY 04

06 MAY 04

06 MAY 04

06 MAY 04

06 MAY 04

06 MAY 04

06 MAY 04

06 MAY 04

06 MAY 04

06 MAY 04

06 MAY 04

06 MAY 04

06 MAY 04

06 MAY 04

06 MAY 04

06 MAY 04

06 MAY 04

06 MAY 04

06 MAY 04

06 MAY 04

06 MAY 04

06 MAY 04

06 MAY 04

06 MAY 04

06 MAY 04

06 MAY 04

06 MAY 04

06 MAY 04

06 MAY 04

06 MAY 04

06 MAY 04

06 MAY 04

06 MAY 04

06 MAY 04

06 MAY 04

06 MAY 04

06 MAY 04

06 MAY 04

06 MAY 04

06 MAY 04

06 MAY 04

X-ON Electronics

Largest Supplier of Electrical and Electronic Components

Click to view similar products for [Basic / Snap Action Switches](#) category:

Click to view products by [Honeywell](#) manufacturer:

Other Similar products are found below :

[5SM901-S12](#) [5SM9-S12N195](#) [602EN532](#) [602EN535-RB](#) [602HE5-RB1](#) [604HE162](#) [604HE223-6B](#) [624HE17-RB](#) [6HM82](#) [6HM89](#) [6SE1](#)
[6SX1-H58](#) [70500216](#) [70599106](#) [MBD5B1](#) [MBH2731](#) [73-316-0012](#) [EXD-AR20](#) [79211923](#) [79218589](#) [7AS12](#)
[MIL30126AB6BBMD4A12XAU](#) [ML-1155](#) [ML-1376](#) [831010C3.0](#) [831090C2.EL](#) [83131904](#) [84212012](#) [8AS239](#) [8HM73-3](#) [8SX26-H33](#)
[914CE1-6G](#) [PL-100](#) [11SM1077-H4](#) [11SM1077-H58](#) [11SM1-TN107](#) [11SM405](#) [11SM8423-H2](#) [11SX37-T](#) [11SX48-H58](#) [11SM2442-T](#)
[11SM76-T](#) [11SM77-H58](#) [11SM77-T](#) [11SM863-T](#) [11SM866](#) [A7CN-1M-1-LEFT](#) [A831700C7.0](#) [121EN187-R](#) [121EN188-R](#)