



**MICRO SWITCH**  
 FREEPORT ILLINOIS  
 A DIVISION OF HONEYWELL  
 FED. MFG. CODE 91929

# SWITCH - BASIC

CATALOG LISTING

**YZ - 2R**

AWF2000

FAA-PMA

YZ - 2R

PAGE 1 OF 1

**M**

DRAWING NUMBER

ISSUE

15

**REVISIONS**

E	CO-845946	RAG	12MAY97
F	CO93346	DLT	22 SEP 98
G	CO-94212-K	DLT	5 NOV 99
H	0020237	SK	21MAR06
J	PK	13MAY08	0039796

REPLACES

RELEASE NO.

13MAY08

ASD

CHECK

21MAR06

AS

CHECK

26 MAR 03

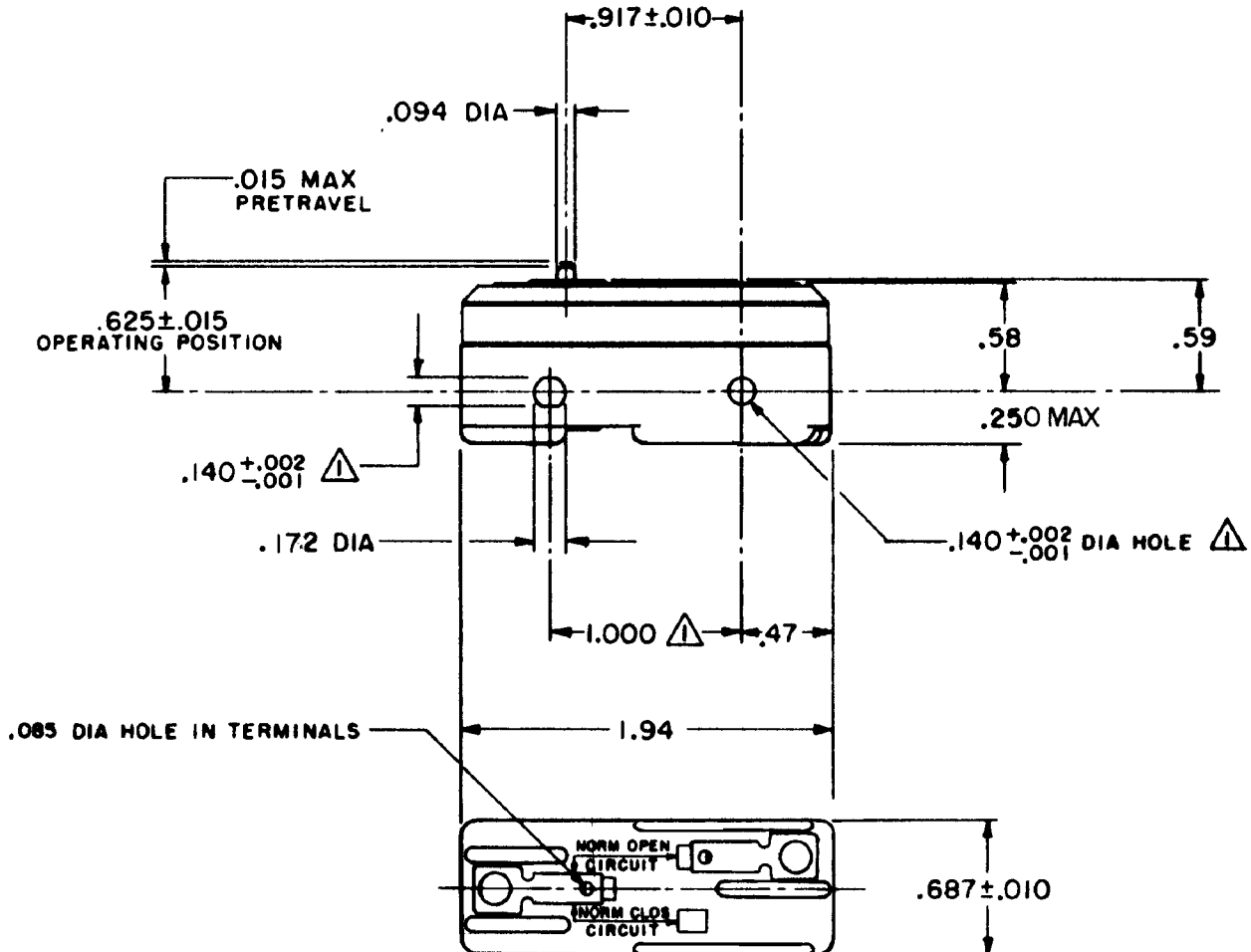
LS D

CHECK

22 MAR 63

GCH

FO-30378 RASTER



**NOTE**  
 ▲ MOUNTING HOLES WILL ACCEPT PINS OR SCREWS OF .139 MAX DIA ON 1.000±.002 CENTERS

THIS DRAWING COVERS A PROPRIETARY ITEM AND IS THE PROPERTY OF MICRO SWITCH, A DIVISION OF MINNEAPOLIS-HONEYWELL REGULATOR CO. THIS DRAWING IS NOT TO BE COPIED OR USED WITHOUT THE APPROVAL OF MICRO SWITCH.

CHARACTERISTICS	ELECTRICAL DATA	SCALE -	
OPERATING FORCE ----- 9-13 OZ	CONTACT ARRANGEMENT S P N O	DO NOT SCALE PRINT	
RELEASE FORCE ----- 4 OZ MIN	-L96- 15 A - 125, 250, OR 480 VAC 1/2 A - 125 VDC; 1/4 A - 250 VDC 1/8 HP - 125 VAC, 1/4 HP - 250 VAC  -L288- -L306- -L315-	UNLESS OTHERWISE SPECIFIED DIMENSIONS ARE IN INCHES	
DIFFERENTIAL TRAVEL --- .0004 - .0020			<b>TOLERANCES ARE:</b>
OVERTRAVEL ----- .005 MIN		16A 250V ~ T85 5E4	ONE PLACE (.0) ±.030 TWO PLACE (.00) ±.015 THREE PLACE (.000) ±.005 ANGLES ± -
		WEIGHT .050 LB	

## X-ON Electronics

Largest Supplier of Electrical and Electronic Components

*Click to view similar products for [Basic / Snap Action Switches](#) category:*

*Click to view products by [Honeywell](#) manufacturer:*

Other Similar products are found below :

[5SM901-S12](#) [5SM9-S12N195](#) [01.098.1358.1](#) [602EN532](#) [602EN535-RB](#) [602HE5-RB1](#) [604HE162](#) [604HE223-6B](#) [624HE17-RB](#) [6HM82](#)  
[6HM89](#) [6SE1](#) [6SX1-H58](#) [70500216](#) [70599106](#) [MBD5B1](#) [MBH2731](#) [73-316-0012](#) [EXD-AR20](#) [79211923](#) [79218589](#) [7AS12](#)  
[MIL30126AB6BBMD4A12XAU](#) [ML-1155](#) [ML-1376](#) [831010C3.0](#) [831090C2.EL](#) [83131904](#) [84212012](#) [8AS239](#) [8HM73-3](#) [8SX26-H33](#)  
[914CE1-6G](#) [PL-100](#) [11SM1077-H4](#) [11SM1077-H58](#) [11SM1-TN107](#) [11SM405](#) [11SM8423-H2](#) [11SX37-T](#) [11SX48-H58](#) [11SM2442-T](#)  
[11SM76-T](#) [11SM77-H58](#) [11SM77-T](#) [11SM863-T](#) [11SM866](#) [A7CN-1M-1-LEFT](#) [A831700C7.0](#) [121EN187-R](#)