

MICRO SWITCH

FREERPORT ILLINOIS, U.S.A
A DIVISION OF HONEYWELL
FED. MFG. CODE 91929

SWITCH - BASIC

CATALOG LISTING

YZ-2R-A21

AWF2550

YZ-2R-A21

PAGE 1 OF 1

REPLACES

RELEASE NO. PR-3836

DRAWING NUMBER

ISSUE

REVISIONS

A	OBS DWG C082292	C S L 26 JAN 96
B	REINST PR22383	DLT 18 SEP 96
C	C093346	DLT 22 SEP 98
D	0000624	JAH 23 JUN 03
E	0015138	SPK 29 AUG 05

CHECK

CHECK

29 AUG 05

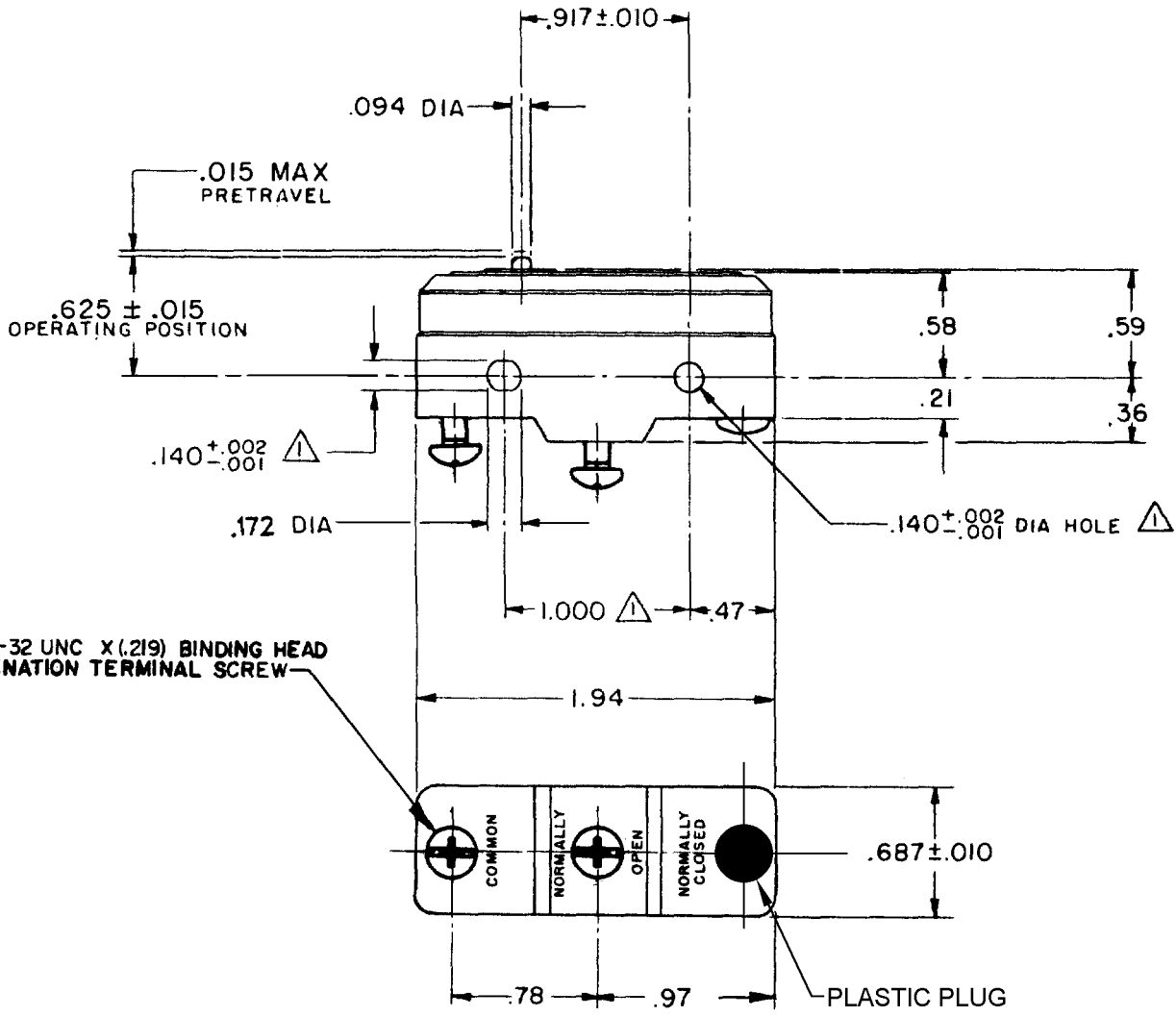
RJ

CHECK

96

CHECK

RASTER



NOTE
1 MOUNTING HOLES WILL ACCEPT PINS OR SCREWS OF .139 MAX DIA ON 1.000 ± .002 CENTERS

THIS DRAWING COVERS A PROPRIETARY ITEM AND IS THE PROPERTY OF MICRO SWITCH, A DIVISION OF HONEYWELL. THIS DRAWING IS NOT TO BE COPIED OR USED WITHOUT THE APPROVAL OF MICRO SWITCH.

THIRD ANGLE PROJECTION

CHARACTERISTICS	
OPERATING FORCE	9-13 OZ
RELEASE FORCE	4 OZ MIN
DIFFERENTIAL TRAVEL	.0004-.0020
OVERTRAVEL	.005 MIN

ELECTRICAL DATA	
CONTACT ARRANGEMENT S P N O	
CODE L96 15A-125, 250 OR 480 VAC 1/8 HP-125 VAC; 1/4 HP-250 VAC 1/2 A-125 VDC; 1/4 A-250 VDC	
-L288-	CE EN 05 RJ SP
-L306-	
-L315-	
16A 250V ~ T85 5E4	

SCALE	FULL
DO NOT SCALE PRINT	
TOLERANCES	
APPLY TO DESIGN UNITS. CONVERSIONS ARE ONLY FOR REFERENCE. UNLESS NOTED, TOLERANCES ARE ±	
DIM. mm	TOL. mm/in
DIM. in	TOL. mm/in
NO PLACES	X X 1/04 X X 0.8/03
ONE PLACE	X,XX 0.4/018 X,XX 0.38/015
TWO PLACES	X,XXX 0.15/006 X,XXX 0.13/005
THREE PLACES	ANGLES
SI METRIC	
DESIGN UNITS	US CUSTOMARY
WEIGHT .063 LB	

X-ON Electronics

Largest Supplier of Electrical and Electronic Components

Click to view similar products for [Basic / Snap Action Switches](#) category:

Click to view products by [Honeywell](#) manufacturer:

Other Similar products are found below :

[5SM901-S12](#) [5SM9-S12N195](#) [01.098.1358.1](#) [602EN532](#) [602EN535-RB](#) [602HE5-RB1](#) [604HE162](#) [604HE223-6B](#) [624HE17-RB](#) [6HM82](#)
[6HM89](#) [6SE1](#) [6SX1-H58](#) [70500216](#) [70599106](#) [MBD5B1](#) [MBH2731](#) [73-316-0012](#) [EXD-AR20](#) [79211923](#) [79218589](#) [7AS12](#)
[MIL30126AB6BBMD4A12XAU](#) [ML-1155](#) [ML-1376](#) [831010C3.0](#) [831090C2.EL](#) [83131904](#) [84212012](#) [8AS239](#) [8HM73-3](#) [8SX26-H33](#)
[914CE1-6G](#) [PL-100](#) [11SM1077-H4](#) [11SM1077-H58](#) [11SM1-TN107](#) [11SM405](#) [11SM8423-H2](#) [11SX37-T](#) [11SX48-H58](#) [11SM2442-T](#)
[11SM76-T](#) [11SM77-H58](#) [11SM77-T](#) [11SM863-T](#) [11SM866](#) [A7CN-1M-1-LEFT](#) [A831700C7.0](#) [121EN187-R](#)