

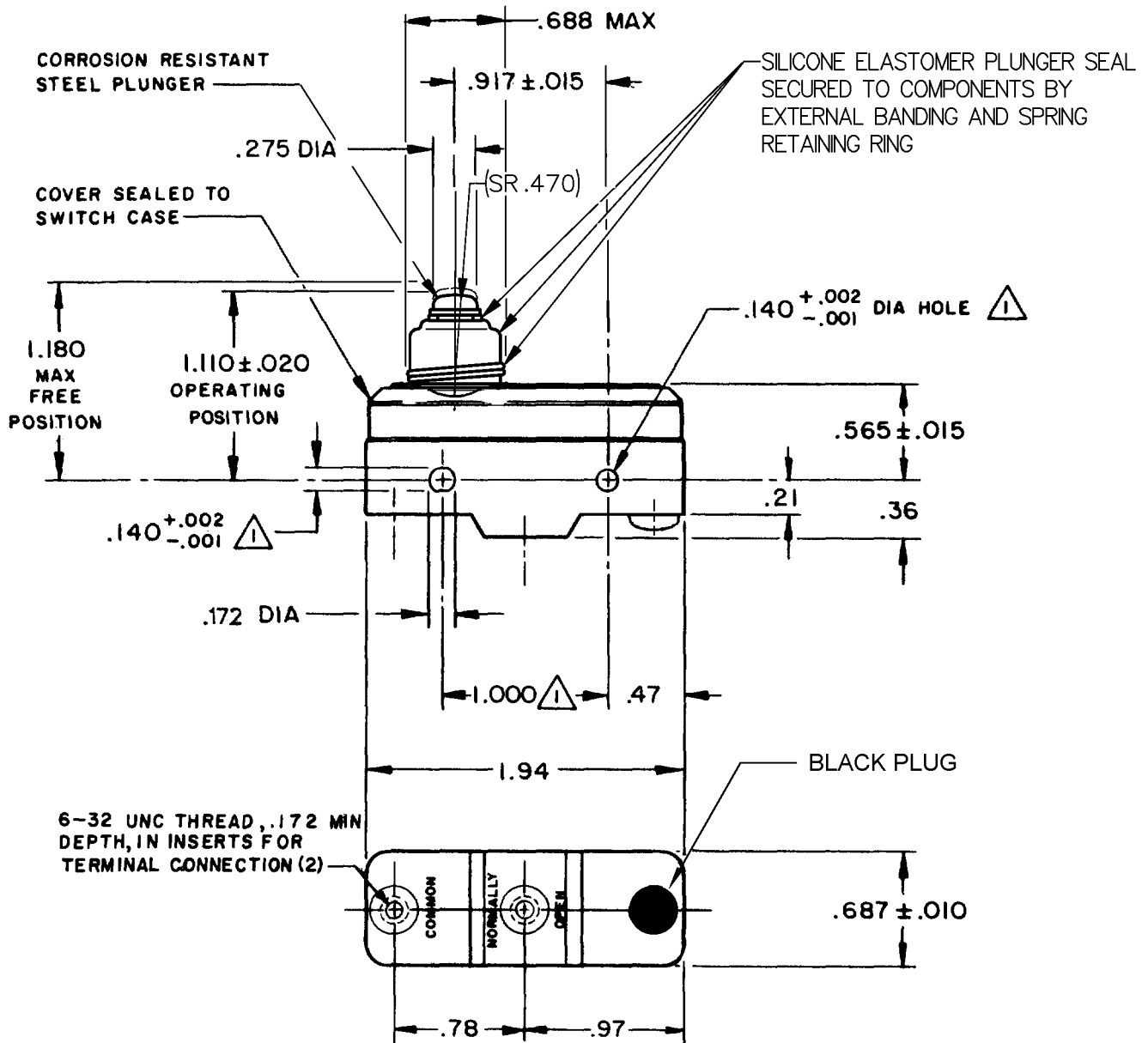
# MICRO SWITCH

a Honeywell Division

FED. MFG. CODE 91929

## SWITCH - BASIC

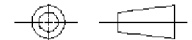
CATALOG LISTING  
**YZ-2RDS4**



**NOTE**  
 ⚠ MOUNTING HOLES WILL ACCEPT PINS OR SCREWS OF .139 MAX DIA ON 1.000 ± .002 CENTERS  
 2 - SEALED CONSTRUCTION PROVIDES SPLASH RESISTANCE  
 3 - TERMINAL SCREWS (2) AND WASHERS (2) FURNISHED UNASSEMBLED

THIS DRAWING COVERS A PROPRIETARY ITEM AND IS THE PROPERTY OF MICRO SWITCH, A DIVISION OF HONEYWELL. THIS DRAWING IS NOT TO BE COPIED OR USED WITHOUT THE APPROVAL OF MICRO SWITCH.

THIRD ANGLE PROJECTION



### CHARACTERISTICS

OPERATING FORCE ----- 13-19 OZ  
 RELEASE FORCE ----- 4 OZ MIN  
 DIFFERENTIAL TRAVEL --- .0004 - .0025  
 OVERTRAVEL ----- .060 MIN

### ELECTRICAL DATA

CONTACT ARRANGEMENT  
SPNO

**L96**  
 15A 125, 250 OR 480 VAC  
 1/8 HP 125 VAC, 1/4 HP 250 VAC  
 1/2A 125 VDC, 1/4A 250 VDC

L288  
 L299  
 L306



16A 250V ~ T85 5E4

### SCALE FULL

DO NOT SCALE PRINT

UNLESS OTHERWISE SPECIFIED TOLERANCES ARE  
 ONE PLACE (.0) ± .030  
 TWO PLACE (.00) ± .015  
 THREE PLACE (.000) ± .005  
 ANGLES ±

WEIGHT .078 LB

CATALOG LISTING  
**YZ-2RDS4**  
 PAGE 1 OF 1  
 ISSUE 11  
 RELEASE NO. SR-11300  
 REPLACES  
 CHECK  
 REVISIONS  
 A C083108 G J W 12 JUN 96  
 B C093346 D L T 22 SEP 98  
 C 205503 G J W 2 MAY 02  
 D 205852  
 E C S L 19 JUN 02  
 0000683  
 C S L 2 JUL 03  
 CHECK  
 DRAWN  
**RASTER**  
 G J W 12 JUN 96

## X-ON Electronics

Largest Supplier of Electrical and Electronic Components

*Click to view similar products for [Basic / Snap Action Switches](#) category:*

*Click to view products by [Honeywell](#) manufacturer:*

Other Similar products are found below :

[5SM901-S12](#) [5SM9-S12N195](#) [602EN532](#) [602EN535-RB](#) [602HE5-RB1](#) [604HE162](#) [604HE223-6B](#) [624HE17-RB](#) [6HM82](#) [6HM89](#) [6SE1](#)  
[6SX1-H58](#) [70500216](#) [70599106](#) [71051](#) [MBH2731](#) [79211923](#) [79218589](#) [7AS12](#) [MIL30126AB6BBMD4A12XAU](#) [ML-1155](#) [ML-1376](#)  
[831010C3.0](#) [831090C2.EL](#) [83131904](#) [84212012](#) [8AS239](#) [8HM73-3](#) [8SX26-H33](#) [914CE1-6G](#) [PL-100](#) [11SM1077-H4](#) [11SM1077-H58](#)  
[11SM1-TN107](#) [11SM405](#) [11SM8423-H2](#) [11SX37-T](#) [11SX48-H58](#) [11SM2442-T](#) [11SM76-T](#) [11SM77-H58](#) [11SM863-T](#) [11SM866](#) [A7CN-](#)  
[1M-1-LEFT](#) [A831700C7.0](#) [121EN188-R](#) [1245.0120](#) [125EN56-RB](#) [D433V3RD](#) [1267.0101](#)