

MICRO SWITCH
a Honeywell Division

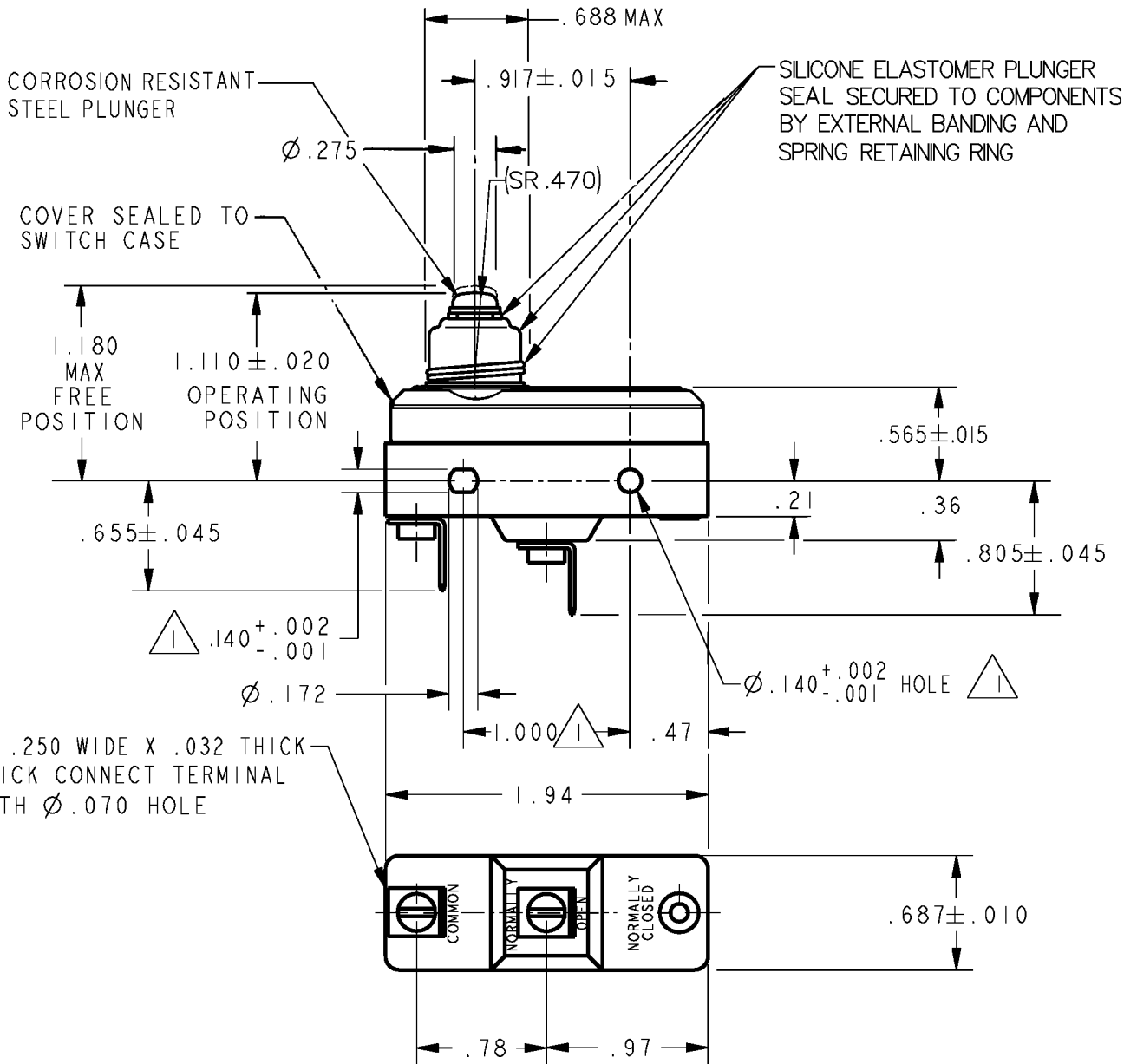
FED. MFG. CODE 91929

SWITCH - BASIC

CATALOG LISTING
YZ-2RDS555116-D6-S

AWP2768

CATALOG LISTING
YZ-2RDS555116-D6-S
PAGE 1 OF 1
REPLACES X113270-YZ
RELEASE NO. 201475
ISSUE 3



NOTES
 1 MOUNTING HOLES WILL ACCEPT PINS OR SCREWS OF Ø.139 MAX ON 1.000 ± .002 CENTERS
 2 - SEALED CONSTRUCTION PROVIDES SPLASH RESISTANCE

ANSI Y14.5M-1982 APPLIES

THIS DRAWING COVERS A PROPRIETARY ITEM AND IS THE PROPERTY OF MICRO SWITCH, A DIVISION OF HONEYWELL. THIS DRAWING IS NOT TO BE COPIED OR USED WITHOUT THE APPROVAL OF MICRO SWITCH.

THIRD ANGLE PROJECTION

CHARACTERISTICS	ELECTRICAL DATA	SCALE	FULL	DO NOT SCALE PRINT
		OPERATING FORCE ----- 8-19 OZ	CONTACT ARRANGEMENT S P N O	UNLESS OTHERWISE SPECIFIED TOLERANCES ARE
RELEASE FORCE ----- 4 OZ MIN	L96 15A 125, 250 OR 480 VAC 1/8HP 125 VAC, 1/4HP 250 VAC 1/2A 125 VDC, 1/4A 250 VDC	ONE PLACE	(.0)	±.030
DIFFERENTIAL TRAVEL ----- .0004-.0025		TWO PLACE	(.00)	±.015
OVERTRAVEL ----- .062 MIN		THREE PLACE	(.000)	±.005
	L288 L306 L315	ANGLES		±
	16A 250V ~ T85 5E4	WEIGHT	.076 LB	

REVISIONS
 A 0001352 JAH 03AUG03
 B 0017586 TSG 09JAN06
 09JAN06
 RJ
 10 OCT 00
 10 OCT 00
 10 OCT 00
 RASTER DRAWN
 CSL 10 OCT 00

X-ON Electronics

Largest Supplier of Electrical and Electronic Components

Click to view similar products for [Basic / Snap Action Switches](#) category:

Click to view products by [Honeywell](#) manufacturer:

Other Similar products are found below :

[5SM901-S12](#) [5SM9-S12N195](#) [01.098.1358.1](#) [602EN532](#) [602EN535-RB](#) [602HE5-RB1](#) [604HE162](#) [604HE223-6B](#) [624HE17-RB](#) [6HM82](#)
[6HM89](#) [6SE1](#) [6SX1-H58](#) [70500216](#) [70599106](#) [MBD5B1](#) [MBH2731](#) [73-316-0012](#) [EXD-AR20](#) [79211923](#) [79218589](#) [7AS12](#)
[MIL30126AB6BBMD4A12XAU](#) [ML-1155](#) [ML-1376](#) [831010C3.0](#) [831090C2.EL](#) [83131904](#) [84212012](#) [8AS239](#) [8HM73-3](#) [8SX26-H33](#)
[914CE1-6G](#) [PL-100](#) [11SM1077-H4](#) [11SM1077-H58](#) [11SM1-TN107](#) [11SM405](#) [11SM8423-H2](#) [11SX37-T](#) [11SX48-H58](#) [11SM2442-T](#)
[11SM76-T](#) [11SM77-H58](#) [11SM77-T](#) [11SM863-T](#) [11SM866](#) [A7CN-1M-1-LEFT](#) [A831700C7.0](#) [121EN187-R](#)