

**MICRO SWITCH**

A DIVISION OF MINNEAPOLIS-HONEYWELL REGULATOR COMPANY  
MINNEAPOLIS, MINNESOTA

FED. MFR. CODE 91929

# SWITCH - BASIC

CATALOG LISTING

## YZ-2RW84-A2

### AYE0500

YZ-2RW84-A2

PAGE 1 OF 1

DRAWING NUMBER

ISSUE

11

REPLACES

RELEASE NO.

CHECK

09JAN06

RJ

CHECK

25 AUG 62

CHECK

DAW

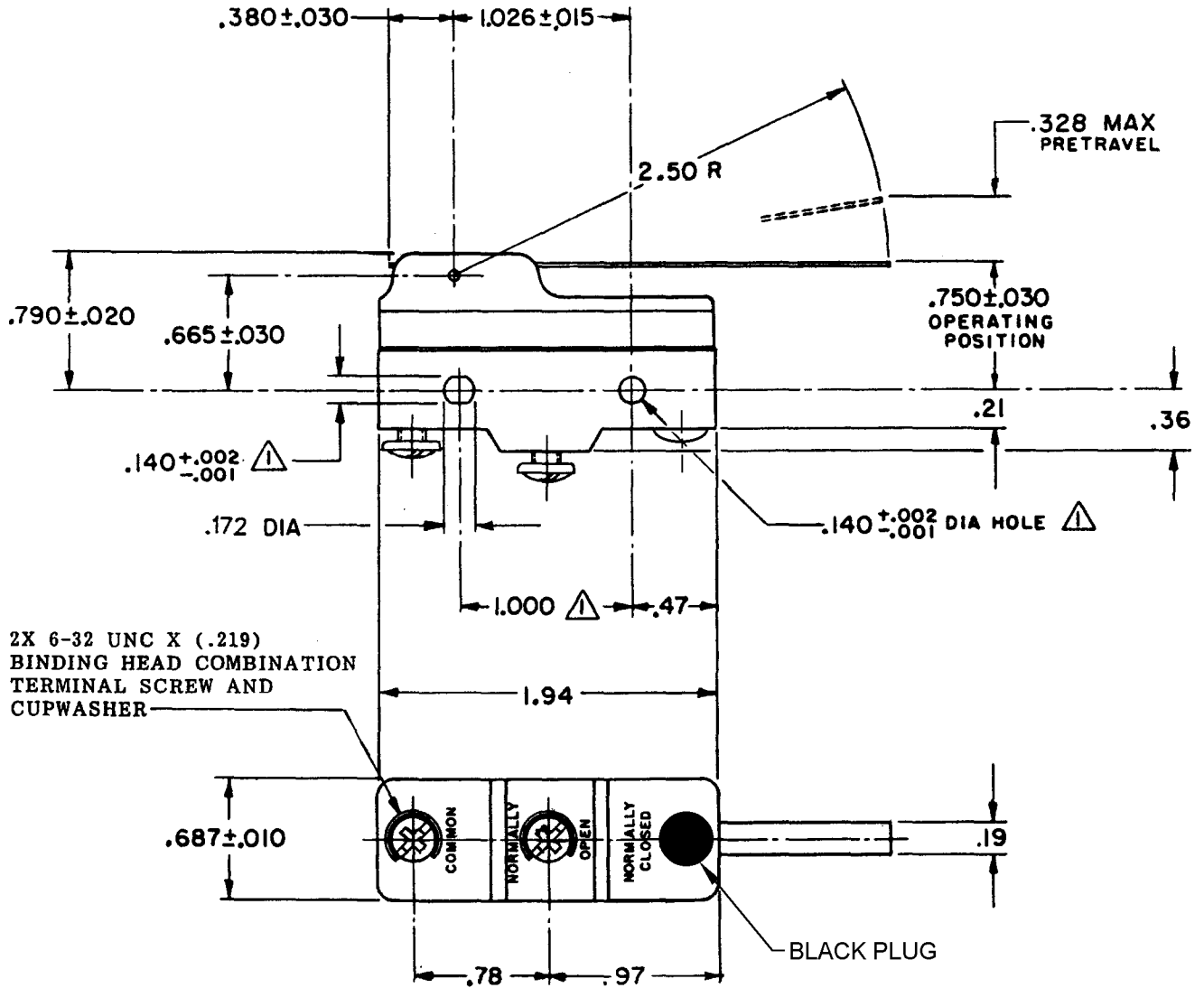
CHECK

21 APRIL 62

GCH

DAWN

21 APRIL 62



2X 6-32 UNC X (.219)  
BINDING HEAD COMBINATION  
TERMINAL SCREW AND  
CUPWASHER

BLACK PLUG

**NOTE**  
MOUNTING HOLES WILL ACCEPT PINS OR SCREWS  
OF .139 MAX DIA ON 1.000 ± .002 CENTERS

THIS DRAWING COVERS A PROPRIETARY ITEM AND IS THE PROPERTY OF MICRO SWITCH, A DIVISION OF MINNEAPOLIS-HONEYWELL REGULATOR CO. THIS DRAWING IS NOT TO BE COPIED OR USED WITHOUT THE APPROVAL OF MICRO SWITCH.

CHARACTERISTICS		ELECTRICAL DATA		SCALE FULL
OPERATING FORCE	----- 1 OZ MAX	CONTACT ARRANGEMENT	BREAK DISTANCE	DO NOT SCALE PRINT
RELEASE FORCE	----- 1/8 OZ MIN	S P N O	.020 MIN	UNLESS OTHERWISE SPECIFIED
DIFFERENTIAL TRAVEL	----- .007 - .050	-L96-	15A - 125, 250, OR 480 VAC	DIMENSIONS ARE IN INCHES
OVERTRAVEL	----- .219 MIN	-L288-	1/2 A - 125 VDC; 1/4 A - 250 VDC	<b>TOLERANCES ARE:</b>
		-L306-	1/8 HP - 125 VAC; 1/4 HP - 250 VAC	ONE PLACE (.01) ± .030
		-L315-	16A 250V ~ T85 5E4	TWO PLACE (.00) ± .015
				THREE PLACE (.000) ± .005
				ANGLES ±
				WEIGHT .073 LB

RASTER

## X-ON Electronics

Largest Supplier of Electrical and Electronic Components

*Click to view similar products for [Basic / Snap Action Switches](#) category:*

*Click to view products by [Honeywell](#) manufacturer:*

Other Similar products are found below :

[5SM901-S12](#) [5SM9-S12N195](#) [01.098.1358.1](#) [602EN532](#) [602EN535-RB](#) [602HE5-RB1](#) [604HE162](#) [604HE223-6B](#) [624HE17-RB](#) [6HM82](#)  
[6HM89](#) [6SE1](#) [6SX1-H58](#) [70500216](#) [70599106](#) [MBD5B1](#) [MBH2731](#) [73-316-0012](#) [EXD-AR20](#) [79211923](#) [79218589](#) [7AS12](#)  
[MIL30126AB6BBMD4A12XAU](#) [ML-1155](#) [ML-1376](#) [831010C3.0](#) [831090C2.EL](#) [83131904](#) [84212012](#) [8AS239](#) [8HM73-3](#) [8SX26-H33](#)  
[914CE1-6G](#) [PL-100](#) [11SM1077-H4](#) [11SM1077-H58](#) [11SM1-TN107](#) [11SM405](#) [11SM8423-H2](#) [11SX37-T](#) [11SX48-H58](#) [11SM2442-T](#)  
[11SM76-T](#) [11SM77-H58](#) [11SM77-T](#) [11SM863-T](#) [11SM866](#) [A7CN-1M-1-LEFT](#) [A831700C7.0](#) [121EN187-R](#)