

# MICRO SWITCH

FREERPORT ILLINOIS, U.S.A  
A DIVISION OF HONEYWELL  
FED. MFG. CODE 91929

# SWITCH - BASIC

CATALOG LISTING  
**YZ-R296-A2**

YZ-R296-A2

**M**

DRAWING NUMBER

4

ISSUE

REPLACES X77807-YZ

RELEASE NO. PR-12892

CHECK

REVISIONS

A	CO-73287-J	JAH	22 NOV 93
B	CO-77588	KDR	29 MAR 94
C	0000713	JAH	30 JUN 03

CHECK

11 APRIL 84

CHECK

11 APRIL 84

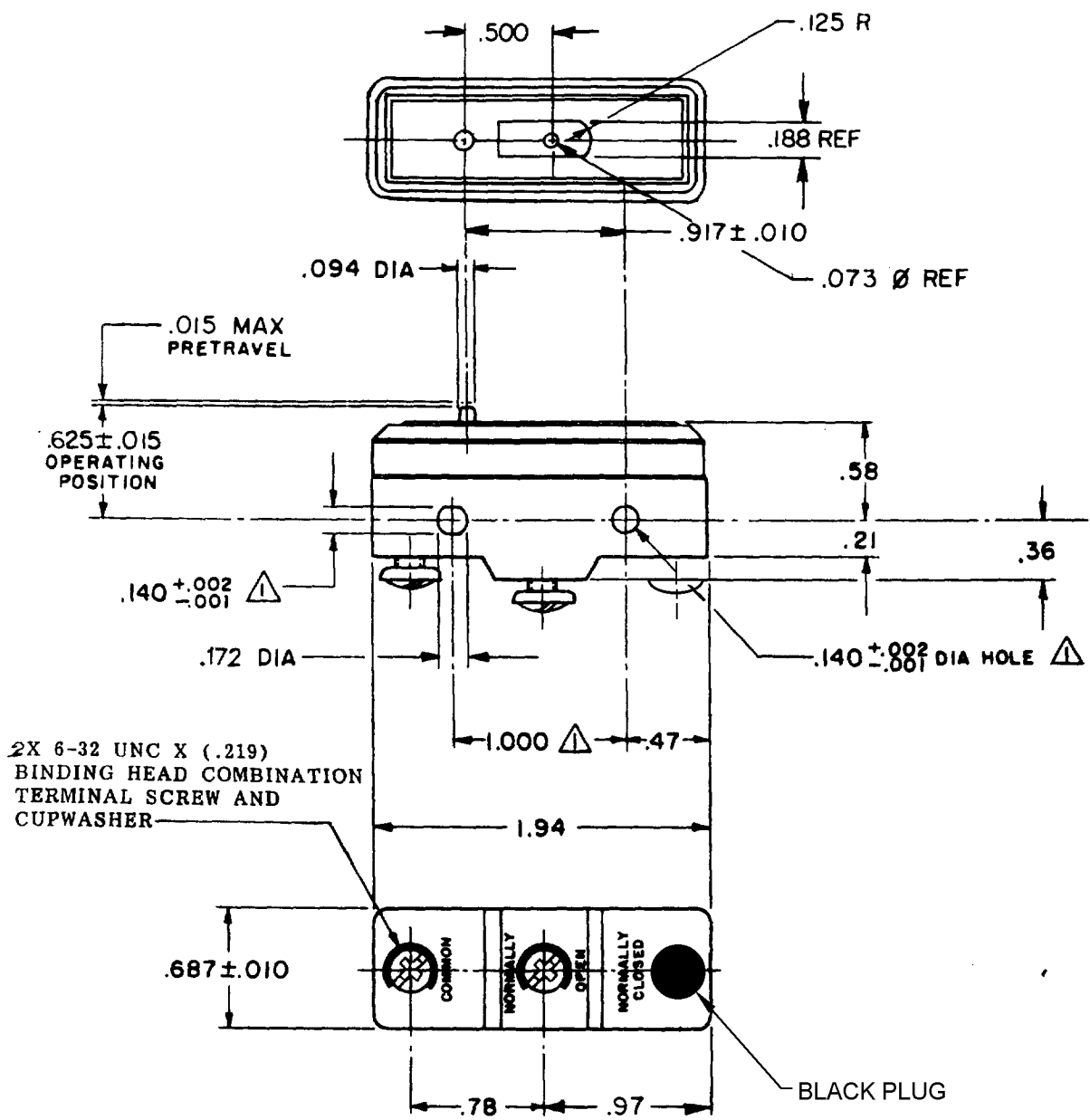
CHECK

11 APRIL 84

CHECK

RASTER

DRAWN



2X 6-32 UNC X (.219)  
BINDING HEAD COMBINATION  
TERMINAL SCREW AND  
CUPWASHER

**NOTE**  
MOUNTING HOLES WILL ACCEPT PINS OR SCREWS OF .139 MAX DIA ON 1.000 ± .002 CENTERS

THIS DRAWING COVERS A PROPRIETARY ITEM AND IS THE PROPERTY OF MICRO SWITCH, A DIVISION OF HONEYWELL. THIS DRAWING IS NOT TO BE COPIED OR USED WITHOUT THE APPROVAL OF MICRO SWITCH.

THIRD ANGLE PROJECTION

**CHARACTERISTICS**

OPERATING FORCE ----- 7-9 OZ  
RELEASE FORCE ----- 4 OZ MIN  
DIFFERENTIAL TRAVEL ----- .0005 MAX  
OVERTRAVEL ----- .005 MIN

**ELECTRICAL DATA**

CONTACT ARRANGEMENT  
S P N O

CODE L103 15A-125, 250 OR 480 VAC  
1/8HP-125 VAC; 1/4HP-250 VAC



SCALE FULL

DO NOT SCALE PRINT

TOLERANCES  
APPLY TO DESIGN UNITS. CONVERSIONS ARE ONLY FOR REFERENCE. UNLESS NOTED, TOLERANCES ARE ±

	DES.	TOL.	DES.	TOL.
	mm	mm/in	in	mm/in
NO PLACES	X	1/.04		
ONE PLACE	X,X	0.4/.016	X,X	3.8/.03
TWO PLACES	X,X,X	0.15/.006	X,X,X	0.38/.018
THREE PLACES	X,X,X,X	0.15/.006	X,X,X,X	0.15/.006

DESIGN UNITS  SI METRIC  US CUSTOMARY

WEIGHT

## X-ON Electronics

Largest Supplier of Electrical and Electronic Components

*Click to view similar products for [Basic / Snap Action Switches](#) category:*

*Click to view products by [Honeywell](#) manufacturer:*

Other Similar products are found below :

[5SM901-S12](#) [5SM9-S12N195](#) [01.098.1358.1](#) [602EN532](#) [602EN535-RB](#) [602HE5-RB1](#) [604HE162](#) [604HE223-6B](#) [624HE17-RB](#) [6HM82](#)  
[6HM89](#) [6SE1](#) [6SX1-H58](#) [70500216](#) [70599106](#) [MBD5B1](#) [MBH2731](#) [73-316-0012](#) [EXD-AR20](#) [79211923](#) [79218589](#) [7AS12](#)  
[MIL30126AB6BBMD4A12XAU](#) [ML-1155](#) [ML-1376](#) [831010C3.0](#) [831090C2.EL](#) [83131904](#) [84212012](#) [8AS239](#) [8HM73-3](#) [8SX26-H33](#)  
[914CE1-6G](#) [PL-100](#) [11SM1077-H4](#) [11SM1077-H58](#) [11SM1-TN107](#) [11SM405](#) [11SM8423-H2](#) [11SX37-T](#) [11SX48-H58](#) [11SM2442-T](#)  
[11SM76-T](#) [11SM77-H58](#) [11SM77-T](#) [11SM863-T](#) [11SM866](#) [A7CN-1M-1-LEFT](#) [A831700C7.0](#) [121EN187-R](#)