

MICRO SWITCH

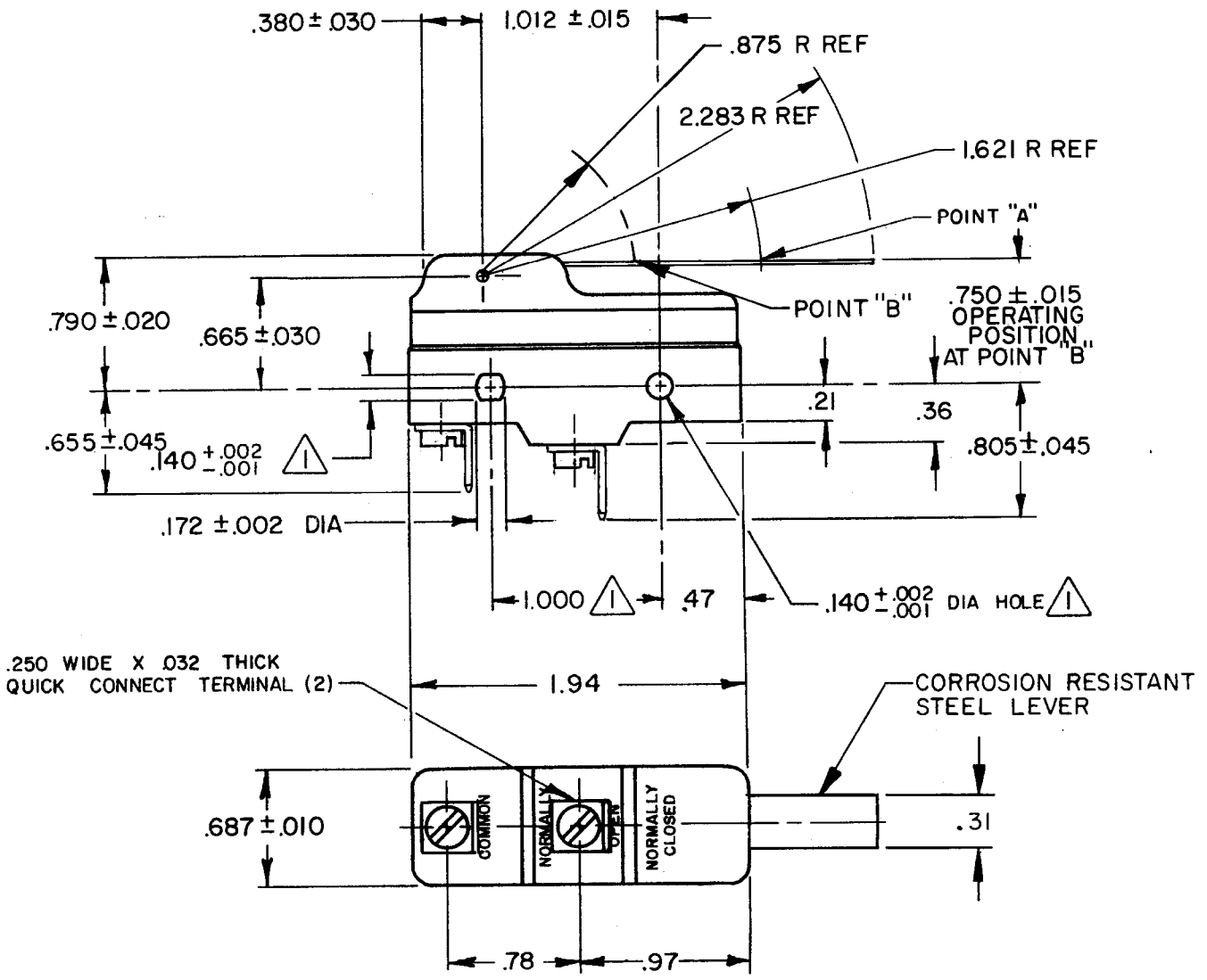
FREERPORT ILLINOIS, U.S.A
A DIVISION OF HONEYWELL INC.
FED. MFG. CODE 91929

SWITCH — BASIC

CATALOG LISTING

YZ-RW8435149-D6

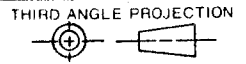
M YZ-RW8435149-D6
 DRAWING NUMBER
 ISSUE **84**
 RELEASE NO. PR-15267
 REPLACES



NOTE -
 - MOUNTING HOLES WILL ACCEPT PINS OR SCREWS OF .139 MAX DIA ON 1.000 ± .002 CENTERS

REVISIONS	
A	C068276 J A P 7 DEC 90
B	C080938 DLT 7 JUN 95
C	CO-82886 JAL 23 APR 96

THIS DRAWING COVERS A PROPRIETARY ITEM AND IS THE PROPERTY OF MICRO SWITCH, A DIVISION OF HONEYWELL. THIS DRAWING IS NOT TO BE COPIED OR USED WITHOUT THE APPROVAL OF MICRO SWITCH.



CHARACTERISTICS	POINT "A"
OPERATING FORCE	---- 6 GRAM MAX
DIFFERENTIAL FORCE	-- 1 1/2 GRAM MAX
DIFFERENTIAL TRAVEL	---- .006 MAX
OVERTRAVEL	----- .141 MIN

ELECTRICAL DATA
CONTACT ARRANGEMENT S P N O
L169
10A 125, <u>250</u> , 277 VAC 1/8 HP 125 VAC, 1/4 HP <u>250</u> VAC

SCALE FULL	DO NOT SCALE PRINT
UNLESS OTHERWISE SPECIFIED TOLERANCES ARE	
ONE PLACE (.0)	± .030
TWO PLACE (.00)	± .015
THREE PLACE (.000)	± .005
ANGLES	±
RAW MATERIAL - COMMERCIAL STANDARD	
DIMENSIONS ARE IN INCHES AND ARE TO BE MET BEFORE PROTECTIVE COATINGS ARE APPLIED	
MICRO SWITCH STANDARDS APPLY	
WEIGHT	.073 LB

CHECK KAG 9 DEC 86
 CHECK
 DRAWN
 FO-52848-B
 T R F 19 DEC 86

X-ON Electronics

Largest Supplier of Electrical and Electronic Components

Click to view similar products for [Basic / Snap Action Switches](#) category:

Click to view products by [Honeywell](#) manufacturer:

Other Similar products are found below :

[5SM901-S12](#) [5SM9-S12N195](#) [01.098.1358.1](#) [602EN532](#) [602EN535-RB](#) [602HE5-RB1](#) [604HE162](#) [604HE223-6B](#) [624HE17-RB](#) [6HM82](#)
[6HM89](#) [6SE1](#) [6SX1-H58](#) [70500216](#) [70599106](#) [MBD5B1](#) [MBH2731](#) [73-316-0012](#) [EXD-AR20](#) [79211923](#) [79218589](#) [7AS12](#)
[MIL30126AB6BBMD4A12XAU](#) [ML-1155](#) [ML-1376](#) [831010C3.0](#) [831090C2.EL](#) [83131904](#) [84212012](#) [8AS239](#) [8HM73-3](#) [8SX26-H33](#)
[914CE1-6G](#) [PL-100](#) [11SM1077-H4](#) [11SM1077-H58](#) [11SM1-TN107](#) [11SM405](#) [11SM8423-H2](#) [11SX37-T](#) [11SX48-H58](#) [11SM2442-T](#)
[11SM76-T](#) [11SM77-H58](#) [11SM77-T](#) [11SM863-T](#) [11SM866](#) [A7CN-1M-1-LEFT](#) [A831700C7.0](#) [121EN187-R](#)