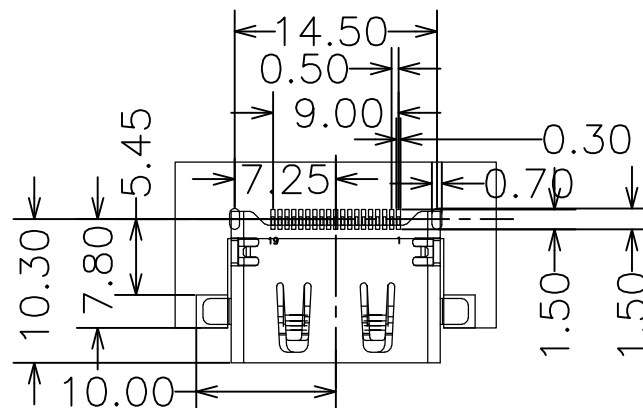
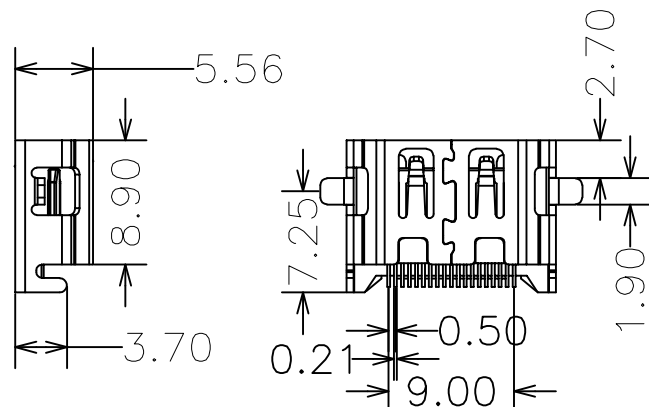
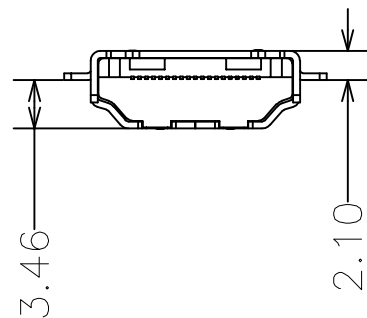
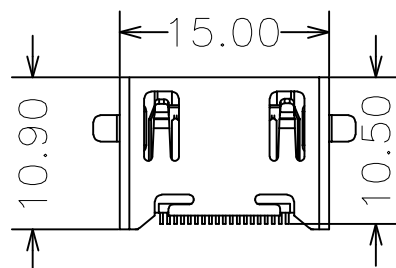
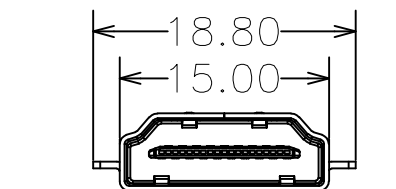
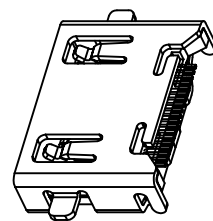


RoHS 2.0

REV:	ECN NO.	DESCRIPTION	DATE	DESIGN
A1.	/.	新版发行		

NOTES:

1. MATERIAL:
 - 1.1. HOUSING: LCP, COLOR IS BLACK;
 - 1.2. CONTACT: BRASS (H65 T=0.20mm);
 - 1.3. SHELL: COLD ROLLED IRON (SPCC,T=0.5mm);
2. FINISH:
 - 2.1. TERMINAL:
 - CONTACT AREA: GOLD PLATED G/Fu";
 - SOLDER AREA: PLATED OVER TIN;
 - 2.2. SHELL: NI PLATED OVER ALL ;
4. ELECTRICAL:
 - 4.1. VOLTAGE RATING: 40 VAC RMS;
 - 4.2. CURRENT RATING: 0.5 AMP;
 - 4.3. CONTACT RESISTANCE: 30mΩ MAX.;
 - 4.4. WITHSTAND VOLTAGE: 500 VAC RMS
50(60)Hz,1MIN.;
 - 4.5. INSULATION RESISTANCE: 100MEGOHMS MIN
@500V DC;
5. MECHANICAL:
 - 5.1. MATING FORCE: 44.1N MAX.;
 - 5.2. UNMATING FORCE: 9.8N MIN.;
 - 5.3. OPERATING LIFE: 10000 CYCLES MIN.;
6. ENVIRONMENTAL:
 - 6.1. STORAGE TEMPERATURE RANGE: -40°C~+85°C;
 - 6.2. OPERATION TEMPERATURE RANGE: -25°C~+70°C;
- 7.SALT SPRAY TEST:24H(EXCLUDING RIVETED BENDS)



RECOMMEND PCB LAYOUT
TOLERANCE: ±0.05 T=1.2
TOP VIEW

C	外壳	SPCC	镀镍
B	端子	黄铜H65	焊料区镀锡 接触区镀金(1U)
A	基座	LCP	黑色
序号	品名	材质	电镀/颜色
			备注

深圳市虹成电子有限公司

UNLESS OTHERWISE, GENERAL TOLERANCE: X.xx ±0.10 X.xx ±0.20 X.x ±0.30	OTHERWISE, TOLERANCE: X.xx' ±1" X.x' ±3" X.' ±5"	NAME: HDMI 沉板		P/N: HC-HDMI0019T-3	
		DWG NO.:			
THIRD ANGLE PROJECTION 	UNIT:	SCALE:	SIZE:	SHEET:	REV.:
	mm	1:1	A4	1/1	A1
DRAWN:		CHECKED:		APPROVED	

X-ON Electronics

Largest Supplier of Electrical and Electronic Components

Click to view similar products for [D-Sub Standard Connectors](#) category:

Click to view products by [Hong Cheng](#) manufacturer:

Other Similar products are found below :

[015-0339-000](#) [015-0341-000](#) [015-0349-000](#) [015-0350-000](#) [015-8544-011](#) [015-8755-001](#) [017041-0005](#) [020419-0104](#) [609-25P](#) [609-9P](#)
[M24308/2-23Z](#) [CT0-24-10SC](#) [CT0-36-3PC](#) [CT0E20-8PS](#) [CT0F16S-1PS](#) [CT0TA16-11SXCA232](#) [CT1E20-19SS](#) [CT2-10SL-3SC](#) [CT2-14S-2PCA34](#) [CT2-18-11PCAU](#) [CT2-22-19SC](#) [CT2-36-5PC](#) [CT6-10SL-3SC](#) [CT6-10SL-4SC](#) [CT6-14S-2SC](#) [CT6-16-12SC](#) [CT6-18-10PSA206](#)
[CT6-18-10PSA232](#) [CT6-18-11PXSA206](#) [CT6-18-11PXSA232](#) [CT6-22-10PS](#) [CT6-24-5PC](#) [CT6-9767-18-8-18-4SS](#) [CT6E14S-5SC](#)
[CT6E14SA7SC](#) [CT6E20-14SS](#) [CT6E22-14PC](#) [CT6E22-14PS](#) [CT6E22-19PS](#) [CT6E22-22PS](#) [CT6E24-10SC](#) [CT6F16S-1SC](#) [CT6FA10SL-4PS](#)
[CT6LA20-19PC](#) [CT6M20-19SS](#) [CT6NSB4-20-8SS](#) [CT6TC14S-6SCAU](#) [CT6TC14S-7PS](#) [6STD15SCT99S40X](#) [6STF09PCM05B70X](#)