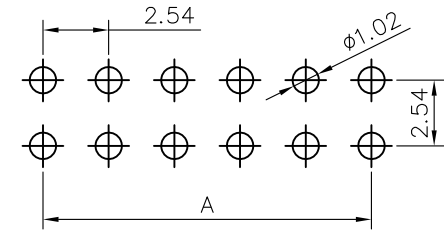
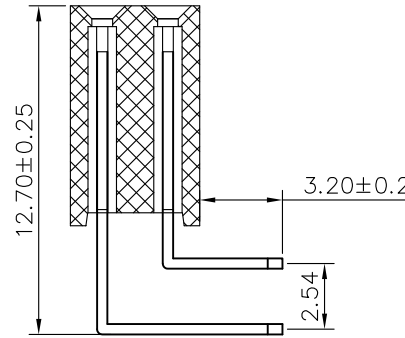
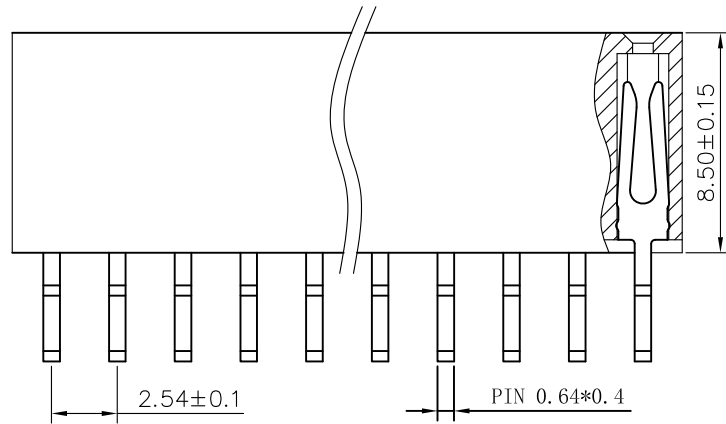
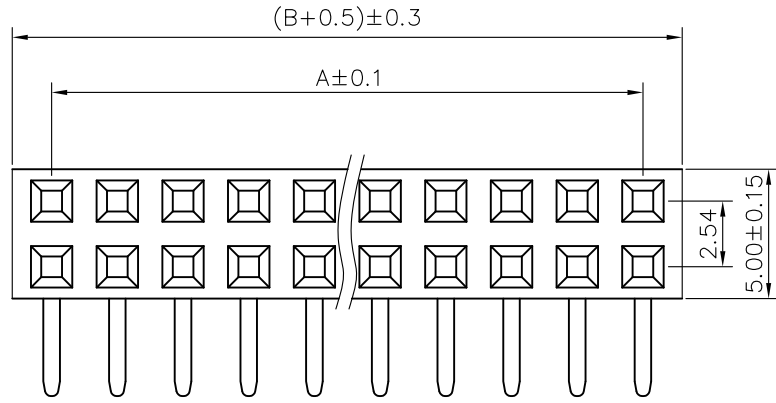


# SPECIFICATIONS

Current Rating: 3Amps  
 Insulation Resistance: 1000MΩ Min  
 Contact Resistance: 20mΩ Max  
 Withstanding Voltage: AC 1000V  
 Operation Temperature: -40° to +105°  
 Contact Material: Brass  
 Standard: 6T  
 Insulator Material: Polyester  
 Contact Plating: Gold Flash  
 Max. Processing Temp: 200° C for 30-60 seconds  
 (260° C for 5 seconds)



RECOMMEND P. C. B LAYOUT  
 PCB TOLERANCE:  $\pm 0.05$  (TOP VIEW)


# 深圳市虹成电子有限公司

| No. of | DIM. A | DIM. B | No. of | DIM. A | DIM. B | No. of | DIM. A | DIM. B | No. of | DIM. A | DIM. B |
|--------|--------|--------|--------|--------|--------|--------|--------|--------|--------|--------|--------|
| 1      | 0.00   | 2.54   | 11     | 25.40  | 27.94  | 21     | 50.80  | 53.34  | 31     | 76.20  | 78.74  |
| 2      | 2.54   | 5.08   | 12     | 27.94  | 30.48  | 22     | 53.34  | 55.88  | 32     | 78.74  | 81.28  |
| 3      | 5.08   | 7.62   | 13     | 30.48  | 33.02  | 23     | 55.88  | 58.42  | 33     | 81.28  | 83.82  |
| 4      | 7.62   | 10.16  | 14     | 33.02  | 35.56  | 24     | 58.42  | 60.96  | 34     | 83.82  | 86.36  |
| 5      | 10.16  | 12.70  | 15     | 35.56  | 38.10  | 25     | 60.96  | 63.50  | 35     | 86.36  | 88.90  |
| 6      | 12.70  | 15.24  | 16     | 38.10  | 40.64  | 26     | 63.50  | 66.04  | 36     | 88.90  | 91.44  |
| 7      | 15.24  | 17.78  | 17     | 40.64  | 43.18  | 27     | 66.04  | 68.58  | 37     | 91.44  | 93.98  |
| 8      | 17.78  | 20.32  | 18     | 43.18  | 45.72  | 28     | 68.58  | 71.12  | 38     | 93.98  | 96.52  |
| 9      | 20.32  | 22.86  | 19     | 45.72  | 48.26  | 29     | 71.12  | 73.66  | 39     | 96.52  | 99.06  |
| 10     | 22.86  | 25.40  | 20     | 48.26  | 50.80  | 30     | 73.66  | 76.20  | 40     | 99.06  | 101.60 |

UNLESS OTHERWISE SPECIFIED TOLERANCE

X :  $\pm 0.30$  X° :  $\pm 5^\circ$   
 X.X :  $\pm 0.25$  X.X° :  $\pm 1^\circ$   
 X.XX :  $\pm 0.20$  X.XX° :  $\pm 0.5^\circ$

DRAWN NAME: 2.54FH H8.5 2xnPin 90度 Y型 PC3.2 PB12.7 PBT

|      |    |       |     |            |  |
|------|----|-------|-----|------------|--|
| SIZE | A4 | SCALE | N:1 | PROUCT NO. | HC-PM254-8.5H-2x17PW   |
| REV  | A  | UNIT  | mm  | PROJECT    |  PAGE 1/1 |

CHECKED: 陈超凡 2022/05/12 CHECKED: / / APPROVED: / /

## X-ON Electronics

Largest Supplier of Electrical and Electronic Components

*Click to view similar products for [Headers & Wire Housings](#) category:*

*Click to view products by [Hong Cheng](#) manufacturer:*

Other Similar products are found below :

[0015917161](#) [0022155065](#) [57102-F02-18ULF](#) [58102-G61-06LF](#) [582553-1](#) [01.001.5753.1](#) [0050291907](#) [02.125.8002.8](#) [609-3404](#) [61062-3](#)  
[CSU011177004](#) [622-0430](#) [622-3653LF](#) [63453-116](#) [636-1030](#) [636-1427](#) [636-3427](#) [636-4007](#) [641938-9](#) [65495-038](#) [65692-001LF](#) [65781-018](#)  
[65781-047](#) [65817-010LF](#) [65817-015LF](#) [67095-007LF](#) [67601157](#) [68631-112](#) [68645-018](#) [699319-000](#) [70.362.1628.0](#) [70-4210](#) [70-4226B](#) [70-](#)  
[4853B](#) [71.350.2428.0](#) [733-134](#) [733-162](#) [760-3052](#) [MHR-64-VUAL](#) [80.063.4001.1](#) [800-90-001-10-001000](#) [801-43-002-10-013000](#)  
[801-43-006-10-002000](#) [803-43-024-10-001000](#) [803-93-012-10-001000](#) [8-1437020-4](#) [819-22-004-30-001101](#) [820-22-006-30-001101](#)  
[820-22-008-30-001101](#) [821-22-002-10-001101](#)