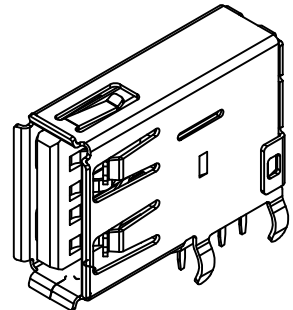


RoHS 2.0

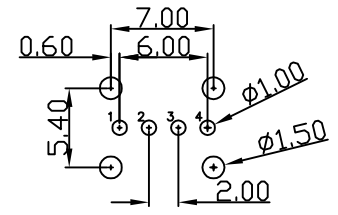
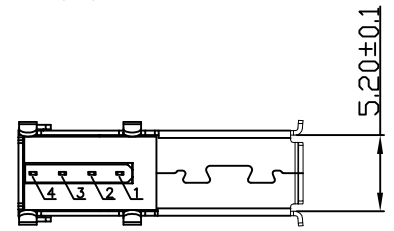
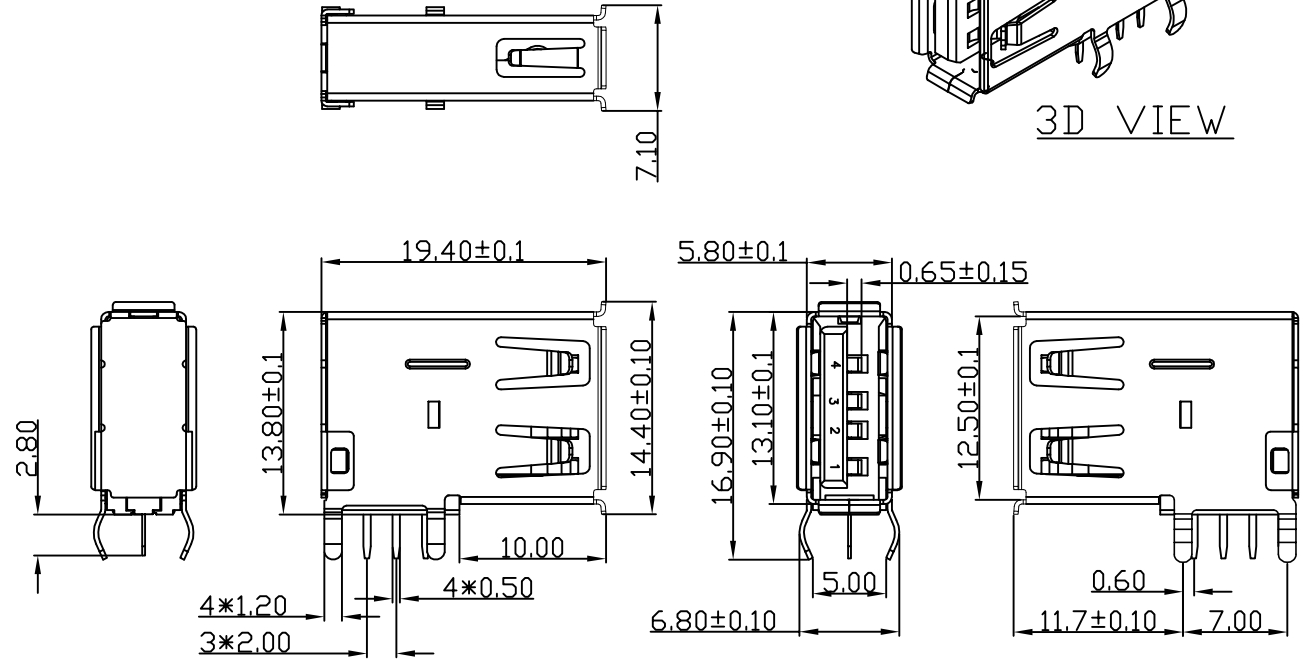
REV.	ECN	NO.	DESCRIPTION	DATE	DESIGN
A1.	/.		重新核对图面	21.01.07	LiHui
			HD	22.06.29	LZR



3D VIEW

NOTES:

- MATERIAL:
 - HOUSING: PBT ,COLOR IS WHITE;
 - CONTACT: BRASS,T=0.20±0.02mm;
 - SHELL: SPCC,T=0.3±0.02mm;
- FINISH:
 - TERMINAL:
 - CONTACT AREA: GOLD PLATED G/Fu";
 - SOLDER AREA: PLATED OVER TIN;
 - SHELL: NI PLATED OVER ALL ;
- RECINNEBDED PCB THICKNESS: 1.60mm;
- ELECTRICAL:
 - VOLTAGE RATING: 30 VAC RMS;
 - CURRENT RATING: 1.5 AMP;
 - CONTACT RESISTANCE: 30MILLIOHMS MAX.;
 - WITHSTAND VOLTAGE: 500 VAC RMS
50(60)Hz,1MIN.;
 - INSULATION RESISTANCE: 100MEGOHMS MIN
@500V DC;
- MECHANICAL:
 - MATING FORCE: 35N MAX.;
 - UNMATING FORCE: 5~35N;
 - OPERATING LIFE: 1500 CYCLES MIN.;
- ENVIRONMENTAL:
 - STORAGE TEMPERATURE RANGE: -40°C~+85°C;
 - OPERATION TEMPERATURE RANGE: -25°C~+70°C;
- SALT SPRAY TEST:24H(EXCLUDING RIVETED BENDS)
- SOLDERABILITY: 245±5°C,5±0.5S



RECOMMEND PCB LAYOUT(±0.05)

C	外壳	SPCC	镀镍	
B	端子	黄铜-165	焊料区镀锡 接触区镀金	
A	底座	PBT	白色	
序号	品名	材质	电镀/颜色	备注

深圳市虹成电子有限公司

UNLESS OTHERWISE, GENERAL TOLERANCE: X.xxx ±0.10 X.xx ±0.20 X.x ±0.30	OTHERWISE: ANGULAR: X.xx° ±1° X.x° ±3° X.° ±5°	NAME: A母侧插长方体有边 (K脚1.2*6.8) 白胶		P/N: HC-USB2.0-L195-J	
		DWG NO.:			
THIRD ANGLE PROJECTION		UNIT: mm	SCALE: 1:1	SIZE: A4	SHEET: 1/1
DRAWN:		CHECKED:		APPROVED	

X-ON Electronics

Largest Supplier of Electrical and Electronic Components

Click to view similar products for [USB Connectors](#) category:

Click to view products by [Hong Cheng](#) manufacturer:

Other Similar products are found below :

[950](#) [MUSBD11135](#) [17-200721](#) [217450-1](#) [KMBVX-TH-5S-B30](#) [KUSBX-AS2N-W](#) [KUSBX-SMT2AP1S-W30](#) [935](#) [957](#) [30-498-6](#) [SK-60A-2](#)
[1734082-1](#) [30-470](#) [30-489](#) [30-541](#) [A-USB A-2P-C](#) [MIKROE-1451](#) [USBFTVSCCG](#) [1-1734084-2](#) [10135326-001LF](#) [4198](#) [USB-A-D-VT](#)
[USB-A-S-RA-TSMT](#) [1310-1023-02](#) [690-024-633-031](#) [UB-20PMFP-LC7001](#) [17-200011](#) [UB-20AFMM-LL7A01](#) [1040870124](#) [CAP-](#)
[WCCMLPB1](#) [CAP-WCCMLPC1](#) [2274475-3](#) [UB-20BMFA-SL8001](#) [914-614A2025S10200](#) [USB3FTV7SAGF059](#) [ZX40-B-5S-1500-](#)
[STDA\(30\)](#) [GSB3116344HR](#) [USB3FTV2SAZNF459](#) [USB3FTV7SAZNF459](#) [U221-041N-1WVS62-F5D](#) [HYCW153-USBD05-500B](#)
[HYCW219-USBD05-075B](#) [HYCW148-USBD05-117B](#) [HYCW149-USBD05-740B](#) [HYCW204-USBD05-108B](#) [HYCW214-USBA04-113B](#)
[HYCW213-USBA04-113B](#) [UB-20AMFM-SL7A01](#) [KMMX-BSMT35S-1-B30TR](#) [2345986-1](#)