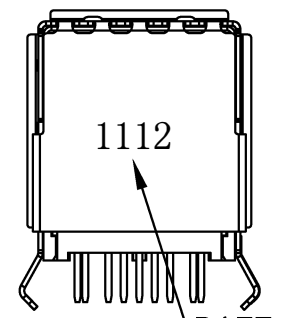


REV.	ECN.NO.	APPD.
B	/	YS
C	/	WZ
A2	/	LJF

- Remark:
- MATERIAL:
 - Housing:thermoplastic plastics.
 - terminals:Copper Alloy
 - Front Shell:Copper Alloy/SPCC.
Middle Shell:SPCC
 - characteristics:
 - Rating Voltage : 30V AC.
 - Rating Current:PIN1&PIN4(Vbus&Correponding ground PIN)
1.8A MAX Other PINS 0.25A min.
 - Contact Resistance:PIN1&PIN4:30 mΩ MAX. Other PINS: 50 mΩ
 - Insulation Resistance:100 MΩ MIN.
 - Withstanding Voltage:AC 100V between adjacent contacts
 - MECHANICAL CHARACTERISTIC:
 - INSERTION FORCE:35N MAX
 - EXTRACTION FORCE(INITIAL) : 10N MIN
 - EXTRACTION FORCE(AFTER TEST) :8N MIN
 - The lifting weight of the product before durability is 10N Min. 3s
 - Life test:1500Cycles MIN.
 - Temperature Range: -30℃~+80℃.

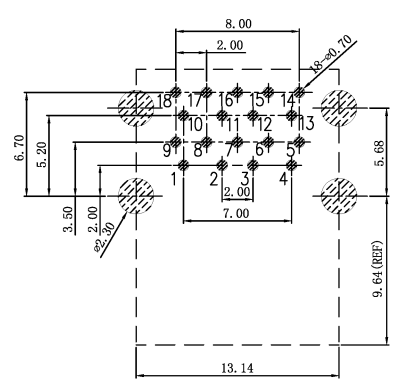
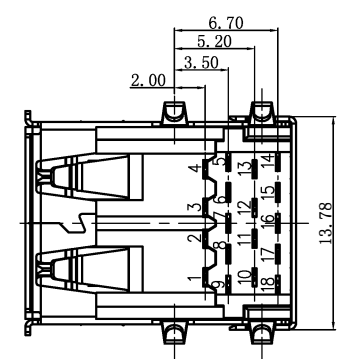
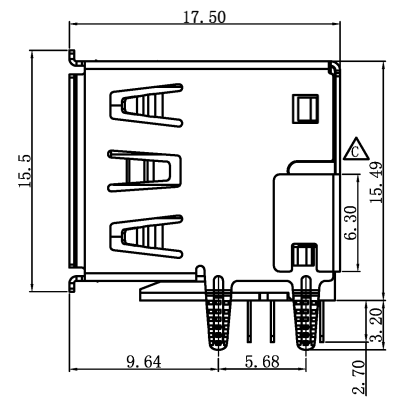
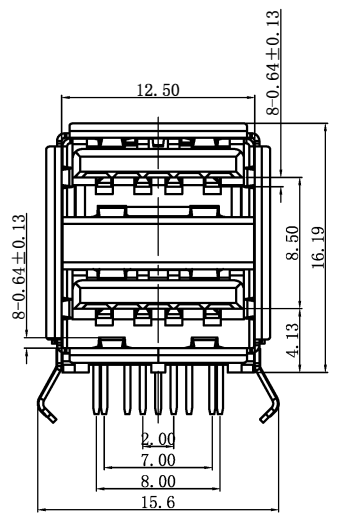
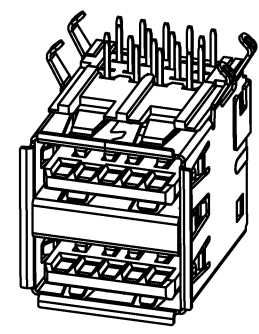
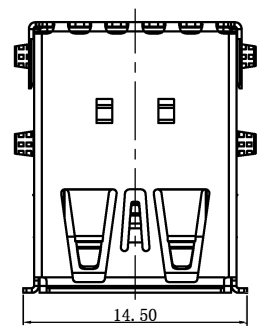
U321-092X-XXXXXX

- 1:Iron alloy
- Ni plating
- 5:Copper alloy
- Ni plating
- 1:RoHS UL94V-0
- R:RoHS
- 1:tray
- 2:Tube
- 8:Tape&Reel
- 0:Salt Spray 12H
- 2:Salt Spray 24H
- 1:Black
- 7:Blue 300C
- 8:Blue 300C-1
- C:Blue 300C-2
- E:Blue 300C-3
- 2:PBT
- 6:LCP



DATE
1112

表示12月
表示2011年



PCB LAYOUT REFERENCE

Pin Number	Signal Name	Pin Number	Signal Name	TOLERANCE UNLESS OTHERWISE SPECIFIED	
1	VBUS	10	VBUS	.XXX ±0.10	.X ±3 .XX ±2
2	D-	11	D-	.XX ±0.25	
3	D+	12	D+	.X ±0.35	
4	GND	13	GND	APPROVED	
5	StdA_SSRX-	14	StdA_SSRX-		
6	StdA_SSRX+	15	StdA_SSRX+	CHECKED	
7	GND_DRAIN	16	GND_DRAIN		
8	StdA_SSTX-	17	StdA_SSTX-	DRAWN	Lijinfeng
9	StdA_SSTX+	18	StdA_SSTX+	DATE	2021.04.22
Shell	Shield				

深圳市虹成电子有限公司

PART No:		HC-USB3.0-L175-2X1-J		C	
PROJECTION:	UNIT:	SCALE:	SHEET:	REV.	
	mm	1:1	1 OF 1	A2	

USB 3.0 AF双层90度短体(带周期)

X-ON Electronics

Largest Supplier of Electrical and Electronic Components

Click to view similar products for [USB Connectors](#) category:

Click to view products by [Hong Cheng](#) manufacturer:

Other Similar products are found below :

[950](#) [MUSBD11135](#) [17-200721](#) [217450-1](#) [KMBVX-TH-5S-B30](#) [KUSBX-AS2N-W](#) [KUSBX-SMT2AP1S-W30](#) [935](#) [957](#) [30-498-6](#) [SK-60A-2](#)
[1734082-1](#) [30-470](#) [30-489](#) [30-541](#) [A-USB A-2P-C](#) [MIKROE-1451](#) [USBFTVSCCG](#) [1-1734084-2](#) [10135326-001LF](#) [4198](#) [USB-A-D-VT](#)
[USB-A-S-RA-TSMT](#) [1310-1023-02](#) [690-024-633-031](#) [UB-20PMFP-LC7001](#) [17-200011](#) [UB-20AFMM-LL7A01](#) [1040870124](#) [CAP-](#)
[WCCMLPB1](#) [CAP-WCCMLPC1](#) [2274475-3](#) [UB-20BMFA-SL8001](#) [914-614A2025S10200](#) [USB3FTV7SAGF059](#) [ZX40-B-5S-1500-](#)
[STDA\(30\)](#) [GSB3116344HR](#) [USB3FTV2SAZNF459](#) [USB3FTV7SAZNF459](#) [U221-041N-1WVS62-F5D](#) [HYCW153-USBD05-500B](#)
[HYCW219-USBD05-075B](#) [HYCW148-USBD05-117B](#) [HYCW149-USBD05-740B](#) [HYCW204-USBD05-108B](#) [HYCW214-USBA04-113B](#)
[HYCW213-USBA04-113B](#) [UB-20AMFM-SL7A01](#) [KMMX-BSMT35S-1-B30TR](#) [2345986-1](#)