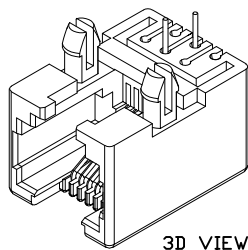


RoHS 2.0

PART NO:
09.01.03.XXX

- 004: GRAY 537C
- 007: BLACK
- 013: GREEN

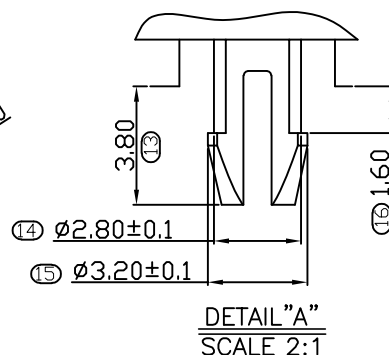
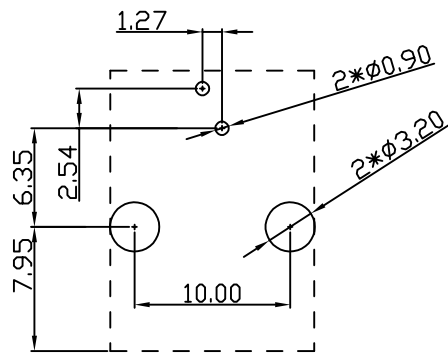
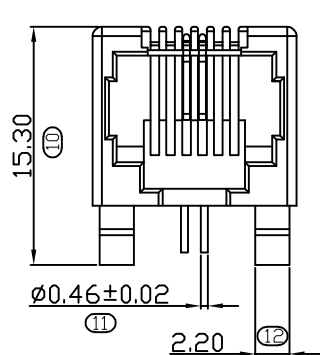
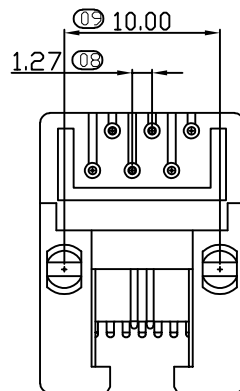
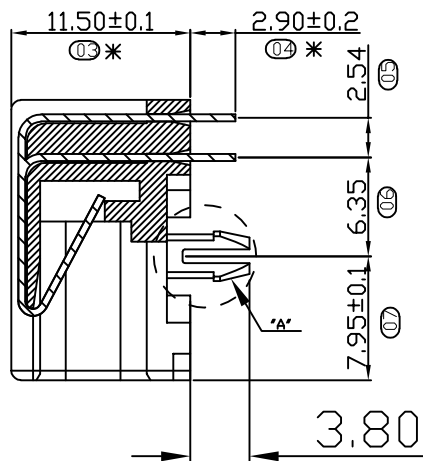
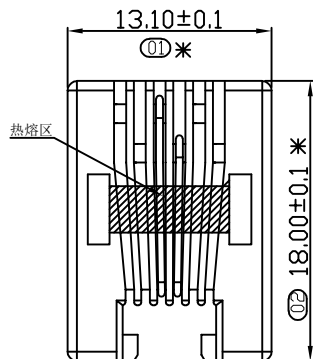


3D VIEW

| REV. | ECN | NO. | DESCRIPTION | DATE | DESIGN |
|------|-----|-----|-------------|----------|--------|
| A1. | / | . | 新增物料编码 | 20.03.27 | Yang |
| A2. | / | . | 重新核对图面 | 21.01.06 | LiHui |
| A3. | / | . | HD | 22.08.15 | LZR |

NOTES:

1. MATERIAL:
 - 1.1. HOUSING: PBT ,COLOR IS GRAY 537C UL94-V0;
 - 1.2. CONTACT: PHOSPHOR BRONZE, $\phi 0.46 \pm 0.02$ mm;
2. FINISH: PLATED GOLD OVER NI;
3. RECINNEBDED PCB THICKNESS: 1.60mm;
4. ELECTRICAL:
 - 4.1. VOLTAGE RATING: 125 VAC RMS;
 - 4.2. CURRENT RATING: 1.5 AMP;
 - 4.3. CONTACT RESISTANCE: 35MILLIOHMS MAX.;
 - 4.4. WITHSTAND VOLTAGE: 1000 VAC RMS 50(60)Hz,1MIN.;
 - 4.5. INSULATION RESISTANCE: 1000MEGOHMS MIN @500V DC;
5. MECHANICAL:
 - 5.1. MATING/UNMATING FORCE: 22N MAX.;
 - 5.2. RETENTION STRENGTH: 50N MIN.;
 - 5.3. OPERATING LIFE: 750 CYCLES MIN.;
6. SALT SPRAY TEST: 12H;
7. SOLDERABILITY: $245 \pm 5^{\circ}\text{C}, 5 \pm 0.5\text{S}$;
8. RESISTANCE TO SOLDER: $260 \pm 5^{\circ}\text{C}, 10 \pm 1\text{S}$;
- 9 ENVIRONMENTAL:
 - 9.1. STORAGE TEMPERATURE RANGE: $-40^{\circ}\text{C} \sim +85^{\circ}\text{C}$;
 - 9.2. OPERATION TEMPERATURE RANGE: $-25^{\circ}\text{C} \sim +70^{\circ}\text{C}$;
10. MATES WITH: MODULAR PLUGS THAT CONFORM TO FCC REGULATION PART 68.500;
11. THE MARK WITH "*" IS THE KEY INSPECTION DIMENSION FOR QC.



DETAIL "A"
SCALE 2:1

RECOMMENDED PCB LAYOUT
TOP VIEW(TOL:±0.05)

| | | | | |
|----|----|-----|------------|----|
| B | 端子 | 磷铜 | 镀镍 镀金(G/F) | |
| A | 基座 | PBT | 灰色 | |
| 序号 | 品名 | 材质 | 电镀/颜色 | 备注 |

深圳市虹成电子有限公司

| | | | | | |
|-------------------------------------|--------|------------------------|--|--------------------|----------|
| UNLESS OTHERWISE GENERAL TOLERANCE: | | NAME: | | P/N: HC-WK62-H18-G | |
| X.xxx ±0.10 | | 大RJ11 6P2C | | DWG NO.: | |
| X.xx ±0.20 | | THIRD ANGLE PROJECTION | | UNIT: | SCALE: |
| X.x ±0.30 | | | | mm | 1:1 |
| ANGULAR: | | DRAWN: | | CHECKED: | APPROVED |
| X.xx' ±1' | | | | | |
| X.x' ±3' | | | | | |
| X.' ±5' | | | | | |
| SIZE: | SHEET: | REV.: | | | |
| A4 | 1/1 | A2 | | | |

X-ON Electronics

Largest Supplier of Electrical and Electronic Components

Click to view similar products for [Modular Connectors](#) / [Ethernet Connectors](#) category:

Click to view products by [Hong Cheng](#) manufacturer:

Other Similar products are found below :

[8949-H88/06BLKA/SN](#) [74441-0010/BKN](#) [PHP-6P6C-5](#) [GAX-3-66](#) [GDCX-PN-66](#) [GLX-A-44](#) [GLX-N-1010M-BLK](#) [GLX-S-88M-BLK](#)
[GMX-SMT4-N-88](#) [GSGX-N-2-88](#) [GSGX-N-4-88](#) [GSX-NS2-88-3.05](#) [GSX-NS-88-3.68](#) [PT-108A-8C-UL](#) [PTS-J531-8CS-50UL](#) [A-2014-0-4](#)
[GWLX-S9-88-YG](#) [DC-1021-8-WH-6](#) [1300530003](#) [1324640-4](#) [132764-001](#) [1413235](#) [MPS88RX-5000](#) [E5288-S000K3-L](#) [155302-001](#)
[AX101050](#) [AX101063](#) [AX101065](#) [AX101072](#) [AX101307](#) [AX101315](#) [AX101318](#) [AX102271](#) [AX102277](#) [AX102651](#) [AX102660](#) [AX104024](#)
[203475](#) [PC4D0018P](#) [KIT38082NI](#) [8949-B88/6](#) [2-6609208-5](#) [30-8956](#) [30-8964-100](#) [SM85](#) [SM99S01VBNN04G7](#) [17-103540](#) [191587](#) [PDI-68-RV](#) [PHP-8P8C-S-5](#)