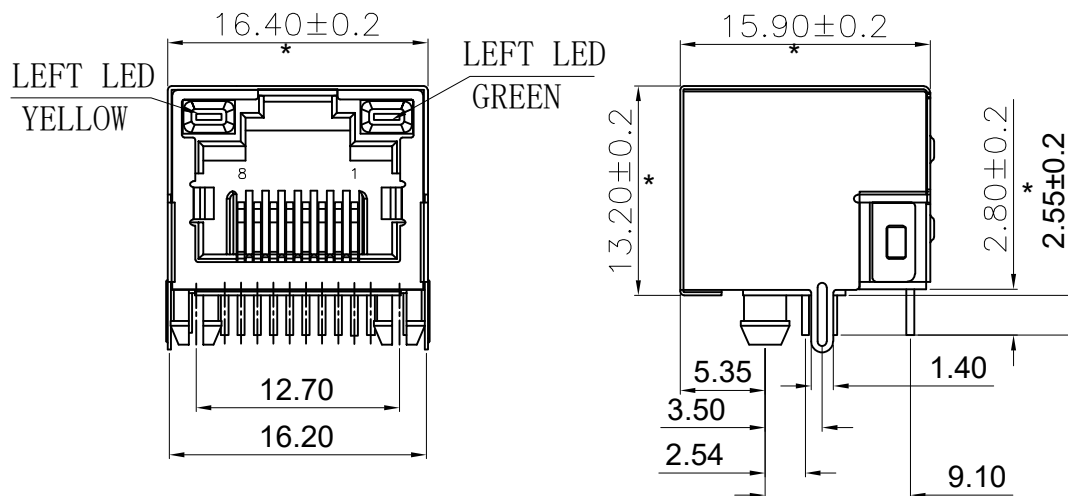


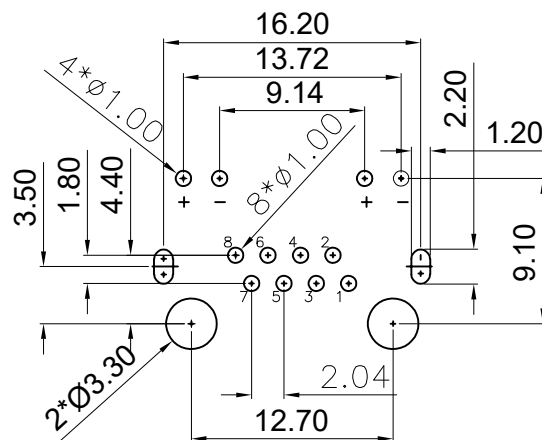
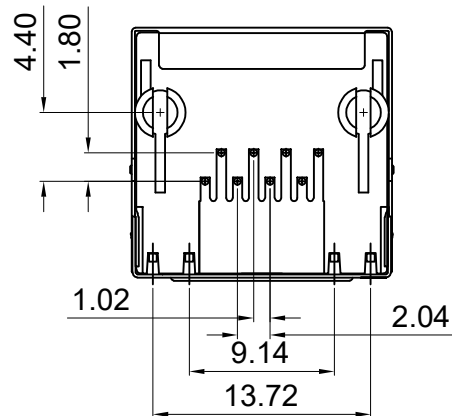
RoHS 2.0

REV.	ECN NO.	DESCRIPTION	DATE	DESIGN
A1.	/.	重新核对图面	21.01.09	LiHui
		HD	22.06.07	LZR



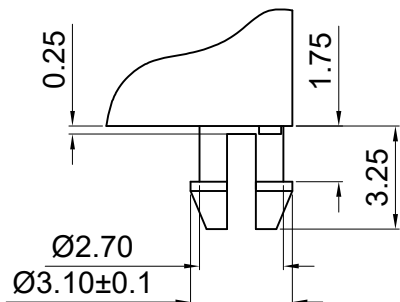
NOTES:

- MATERIAL:
  - HOUSING: PBT ,COLOR IS BLACK;
  - CONTACT: PHOSPHOR BRONZE,  $\phi 0.46 \pm 0.02$ mm;
  - SHELL: SUS T= $0.2 \pm 0.02$ mm;
- FINISH:
  - CONTACT: PLATED GOLD OVER NI;
  - SHELL: NI OVER ALL;
- REINFORCED PCB THICKNESS: 1.60mm;
- ELECTRICAL:
  - VOLTAGE RATING: 125 VAC RMS;
  - CURRENT RATING: 1.5 AMP;
  - CONTACT RESISTANCE: 35MILLIOHMS MAX.;
  - WITHSTAND VOLTAGE: 1000 VAC RMS 50(60)Hz,1MIN.;
  - INSULATION RESISTANCE: 1000MEGOHMS MIN @500V DC;
- MECHANICAL:
  - MATING/UNMATING FORCE: 25N MAX.;
  - RETENTION STRENGTH: 50N MIN.;
  - OPERATING LIFE: 750 CYCLES MIN.;
- SALT SPRAY TEST: 12H (Excluding riveted bends);
- SOLDERABILITY:  $245 \pm 5^{\circ}\text{C}, 5 \pm 0.5\text{S}$ ;
- RESISTANCE TO SOLDER:  $260 \pm 5^{\circ}\text{C}, 10 \pm 1\text{S}$ ;
- ENVIRONMENTAL:
  - STORAGE TEMPERATURE RANGE:  $-40^{\circ}\text{C} \sim +85^{\circ}\text{C}$ ;
  - OPERATION TEMPERATURE RANGE:  $-25^{\circ}\text{C} \sim +70^{\circ}\text{C}$ ;
- MATES WITH: MODULAR PLUGS THAT CONFORM TO FCC REGULATION PART 68.500;
- THE MARK WITH "\*" IS THE KEY INSPECTION DIMENSION FOR QC.

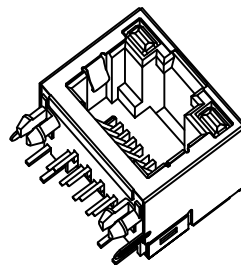


RECOMMENDER P. C. B. LAYOUT TOP VIEW  
(COMPONENT SIDE TOLERANCE  $\pm 0.05$ )

C	外壳	SUS	镀镍	
B	端子	磷铜	镀镍 镀金 (G/F)	
A	基座	PBT	黑色	
序号	品名	材质	电镀/颜色	备注



DETAIL "X"  
SCALE 2:1



3D VIEW

## 深圳市虹成电子有限公司

UNLESS OTHERWISE GENERAL TOLERANCE: X.xxx ±0.10 X.xx ±0.20 X.x ±0.30	NAME:	P/N: HC-WK88-H16-DK			
	RJ45带灯带壳 DWG NO.:				
ANGULAR: X.xx' ±1' X.x' ±3' X.' ±5'	THIRD ANGLE PROJECTION	UNIT:	SCALE:	SIZE:	SHEET: REV.:
		mm	1:1	A4	1/1 A1
DRAWN:		CHECKED:		APPROVED	

## X-ON Electronics

Largest Supplier of Electrical and Electronic Components

*Click to view similar products for [Modular Connectors](#) / [Ethernet Connectors](#) category:*

*Click to view products by [Hong Cheng](#) manufacturer:*

Other Similar products are found below :

[8949-H88/06BLKA/SN](#) [74441-0010/BKN](#) [PHP-6P6C-5](#) [GAX-3-66](#) [GDCX-PN-66](#) [GLX-A-44](#) [GLX-N-1010M-BLK](#) [GLX-S-88M-BLK](#)  
[GMX-SMT4-N-88](#) [GSGX-N-2-88](#) [GSGX-N-4-88](#) [GSX-NS2-88-3.05](#) [GSX-NS-88-3.68](#) [PT-108A-8C-UL](#) [PTS-J531-8CS-50UL](#) [A-2014-0-4](#)  
[GWLX-S9-88-YG](#) [DC-1021-8-WH-6](#) [1300530003](#) [1324640-4](#) [132764-001](#) [1413235](#) [MPS88RX-5000](#) [E5288-S000K3-L](#) [155302-001](#)  
[AX101050](#) [AX101063](#) [AX101065](#) [AX101072](#) [AX101307](#) [AX101315](#) [AX101318](#) [AX102271](#) [AX102277](#) [AX102651](#) [AX102660](#) [AX104024](#)  
[203475](#) [PC4D0018P](#) [KIT38082NI](#) [8949-B88/6](#) [2-6609208-5](#) [30-8956](#) [30-8964-100](#) [SM85](#) [SM99S01VBNN04G7](#) [17-103540](#) [191587](#) [PDI-68-RV](#) [PHP-8P8C-S-5](#)