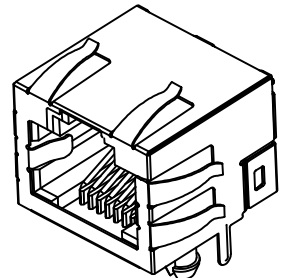
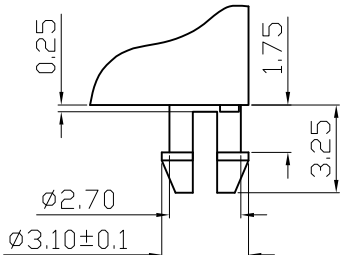
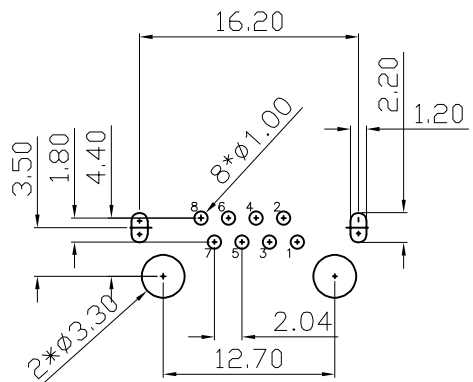
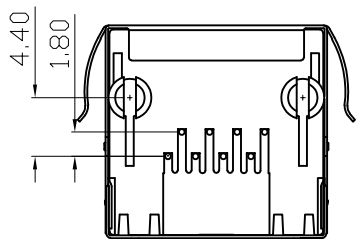
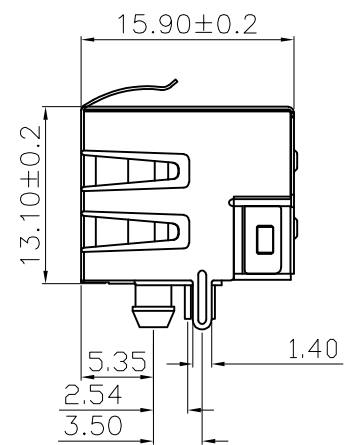
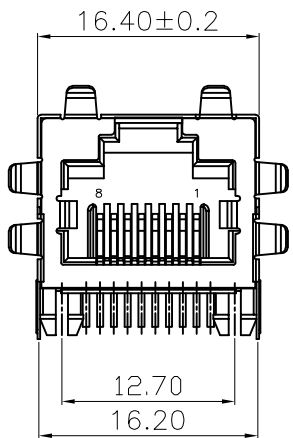


RoHS 2.0

REV.	ECN	NO.	DESCRIPTION	DATE	DESIGN
A1.	/.		重新核对图面	21.01.09	LiHui
			HD	22.06.07	LZR



3D VIEW

NOTES:

- MATERIAL:
 - HOUSING: PBT ,COLOR IS BLACK;
 - CONTACT: PHOSPHOR BRONZE,∅0.46±0.02mm;
 - SHELL: BRASS T=0.2±0.02mm;
- FINISH:
 - CONTACT: PLATED GOLD OVER NI;
 - SHELL: NI OVER ALL;
- RECINNEBDED PCB THICKNESS: 1.60mm;
- ELECTRICAL:
 - VOLTAGE RATING: 125 VAC RMS;
 - CURRENT RATING: 1.5 AMP;
 - CONTACT RESISTANCE: 35MILLIOHMS MAX.;
 - WITHSTAND VOLTAGE: 1000 VAC RMS 50(60)Hz,1MIN.;
 - INSULATION RESISTANCE: 1000MEGOHMS MIN @500V DC;
- MECHANICAL:
 - MATING/UNMATING FORCE: 25N MAX.;
 - RETENTIION STRENGTH: 50N MIN.;
 - OPERATING LIFE: 750 CYCLES MIN.;
- SALT SPRAY TEST: 12H(Excluding riveted bends);
- SOLDERABILITY: 245±5°C,5±0.5S;
- RESISTANCE TO SOLDER: 260±5°C,10±1S;
- ENVIRONMENTAL:
 - STORAGE TEMPERATURE RANGE: -40°C~-85°C;
 - OPERATION TEMPERATURE RANGE: -25°C~+70°C;
- MATES WITH:MODULAR PLUGS THAT CONFORM TO FCC REGULATION PART 68.500;
- THE MARK WITH "*" IS THE KEY INSPECTION DIMENSION FOR QC.

C	外壳	黄铜	镀镍	
B	端子	磷铜	镀镍 镀金(G/F)	
A	底座	PBT	黑色	
	序号	品名	材质	电镀/颜色
				备注

深圳市虹成电子有限公司

UNLESS OTHERWISE, GENERAL TOLERANCE: X.xxx ±0.10 X.xx ±0.20 X.x ±0.30	OTHERWISE, TOLERANCE:	NAME: RJ45无灯带弹壳	P/N: HC-WK88-H16-KT	
			DWG NO.:	
THIRD ANGLE PROJECTION		UNIT: mm	SCALE: 1:1	SIZE: A4
ANGULAR: X.xx' ±1' X.x' ±3' X.' ±5'		SHEET: 1/1	SHEET: 1/1	REV.: A1
DRAWN:		CHECKED:		APPROVED

X-ON Electronics

Largest Supplier of Electrical and Electronic Components

Click to view similar products for [Modular Connectors](#) / [Ethernet Connectors](#) category:

Click to view products by [Hong Cheng](#) manufacturer:

Other Similar products are found below :

[8949-H88/06BLKA/SN](#) [74441-0010/BKN](#) [PHP-6P6C-5](#) [GAX-3-66](#) [GDCX-PN-66](#) [GLX-A-44](#) [GLX-N-1010M-BLK](#) [GLX-S-88M-BLK](#)
[GMX-SMT4-N-88](#) [GSGX-N-2-88](#) [GSGX-N-4-88](#) [GSX-NS2-88-3.05](#) [GSX-NS-88-3.68](#) [PT-108A-8C-UL](#) [PTS-J531-8CS-50UL](#) [A-2014-0-4](#)
[GWLX-S9-88-YG](#) [DC-1021-8-WH-6](#) [1300530003](#) [1324640-4](#) [132764-001](#) [1413235](#) [MPS88RX-5000](#) [E5288-S000K3-L](#) [155302-001](#)
[AX101050](#) [AX101063](#) [AX101065](#) [AX101072](#) [AX101307](#) [AX101315](#) [AX101318](#) [AX102271](#) [AX102277](#) [AX102651](#) [AX102660](#) [AX104024](#)
[203475](#) [PC4D0018P](#) [KIT38082NI](#) [8949-B88/6](#) [2-6609208-5](#) [30-8956](#) [30-8964-100](#) [SM85](#) [SM99S01VBNN04G7](#) [17-103540](#) [191587](#) [PDI-68-RV](#) [PHP-8P8C-S-5](#)