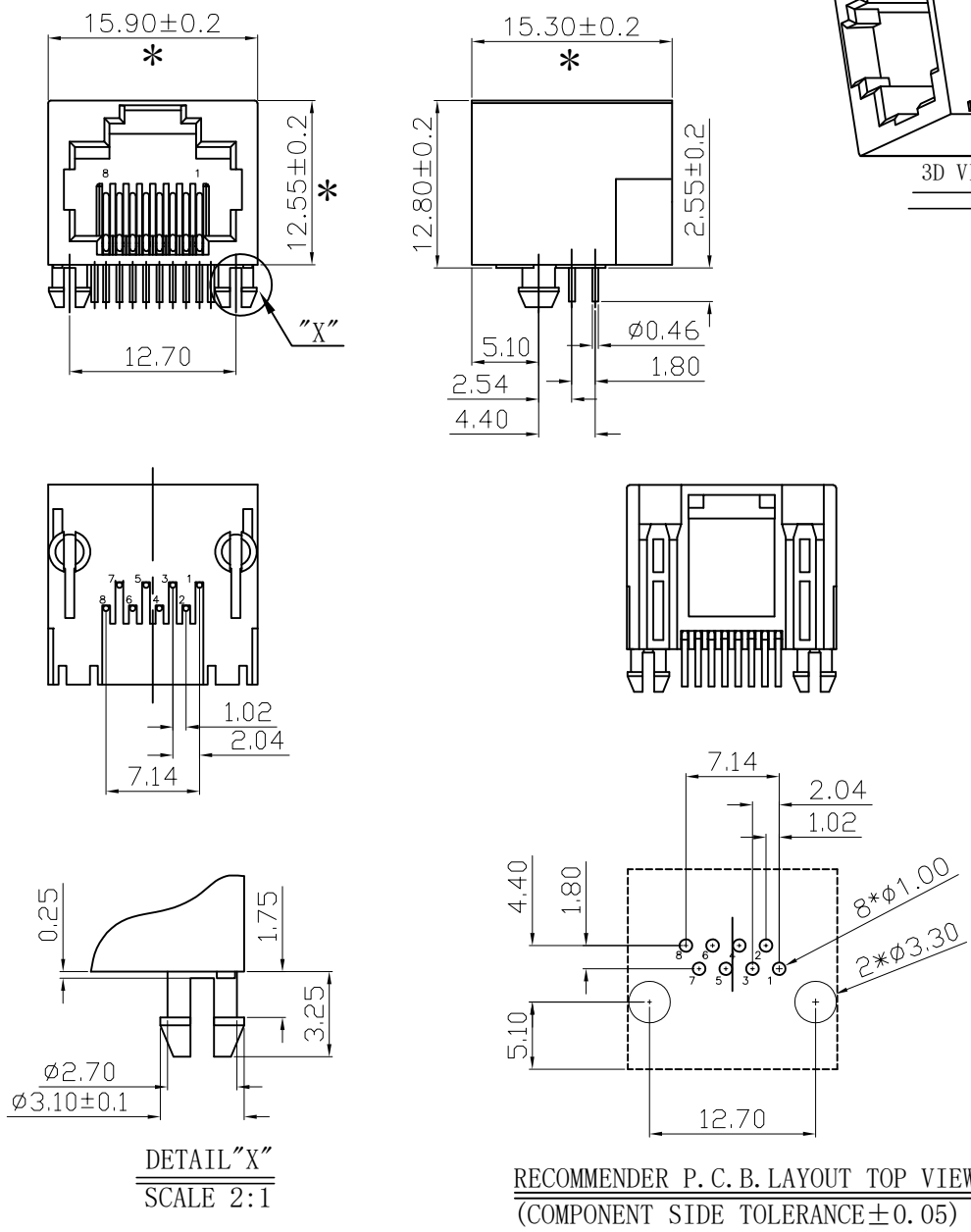


RoHS 2.0

REV.	ECN NO.	DESCRIPTION	DATE	DESIGN
A1.	/.	重新核对图面	21.01.09	LiHui
		HD	22.06.07	LZR



- NOTES:
- MATERIAL:
    - HOUSING: PBT ,COLOR IS BLACK;
    - CONTACT: PHOSPHOR BRONZE, $\phi 0.46 \pm 0.02$ mm;
  - FINISH: PLATED GOLD OVER NI;
  - REINFORCED PCB THICKNESS: 1.60mm;
  - ELECTRICAL:
    - VOLTAGE RATING: 125 VAC RMS;
    - CURRENT RATING: 1.5 AMP;
    - CONTACT RESISTANCE: 35MILLIOHMS MAX.;
    - WITHSTAND VOLTAGE: 1000 VAC RMS  
50(60)Hz,1MIN.;
    - INSULATION RESISTANCE: 1000MEGOHMS MIN  
@500V DC;
  - MECHANICAL:
    - MATING/UNMATING FORCE: 30N MAX.;
    - RETENTION STRENGTH: 50N MIN.;
    - OPERATING LIFE: 750 CYCLES MIN.;
  - SALT SPRAY TEST: 12H;(Excluding riveted bends)
  - SOLDERABILITY:  $245 \pm 5^{\circ}\text{C}, 5 \pm 0.5\text{S}$ ;
  - RESISTANCE TO SOLDER:  $260 \pm 5^{\circ}\text{C}, 10 \pm 1\text{S}$ ;
  - ENVIRONMENTAL:
    - STORAGE TEMPERATURE RANGE:  $-40^{\circ}\text{C} \sim +85^{\circ}\text{C}$ ;
    - OPERATION TEMPERATURE RANGE:  $-25^{\circ}\text{C} \sim +70^{\circ}\text{C}$ ;
  - MATES WITH: MODULAR PLUGS THAT CONFORM TO FCC REGULATION PART 68.500;
  - THE MARK WITH "\*" IS THE KEY INSPECTION DIMENSION FOR QC.

B	端子	磷铜	镀镍镀金 (G/F)
A	基座	PBT	黑色
序号	品名	材质	电镀/颜色
			备注

**深圳市虹成电子有限公司**

UNLESS OTHERWISE, GENERAL TOLERANCE: X. xxx $\pm 0.10$ X. xx $\pm 0.20$ X. x $\pm 0.30$	NAME:	RJ45全塑黑色	HC-WK88-H16-QS
			DWG NO:
ANGULAR: X. xx° $\pm 1^{\circ}$ X. x° $\pm 3^{\circ}$ X. ° $\pm 5^{\circ}$	THIRD ANGLE PROJECTION	UNIT:	SCALE:
		MM	1:1
DRAWN:		CHECKED:	APPROVED:

RECOMMENDER P. C. B. LAYOUT TOP VIEW  
(COMPONENT SIDE TOLERANCE  $\pm 0.05$ )

## X-ON Electronics

Largest Supplier of Electrical and Electronic Components

*Click to view similar products for [Modular Connectors](#) / [Ethernet Connectors](#) category:*

*Click to view products by [Hong Cheng](#) manufacturer:*

Other Similar products are found below :

[8949-H88/06BLKA/SN](#) [74441-0010/BKN](#) [PHP-6P6C-5](#) [GAX-3-66](#) [GDCX-PN-66](#) [GLX-A-44](#) [GLX-N-1010M-BLK](#) [GLX-S-88M-BLK](#)  
[GMX-SMT4-N-88](#) [GSGX-N-2-88](#) [GSGX-N-4-88](#) [GSX-NS2-88-3.05](#) [GSX-NS-88-3.68](#) [PT-108A-8C-UL](#) [PTS-J531-8CS-50UL](#) [A-2014-0-4](#)  
[GWLX-S9-88-YG](#) [DC-1021-8-WH-6](#) [1300530003](#) [1324640-4](#) [132764-001](#) [1413235](#) [MPS88RX-5000](#) [E5288-S000K3-L](#) [155302-001](#)  
[AX101050](#) [AX101063](#) [AX101065](#) [AX101072](#) [AX101307](#) [AX101315](#) [AX101318](#) [AX102271](#) [AX102277](#) [AX102651](#) [AX102660](#) [AX104024](#)  
[203475](#) [PC4D0018P](#) [KIT38082NI](#) [8949-B88/6](#) [2-6609208-5](#) [30-8956](#) [30-8964-100](#) [SM85](#) [SM99S01VBNN04G7](#) [17-103540](#) [191587](#) [PDI-68-RV](#) [PHP-8P8C-S-5](#)