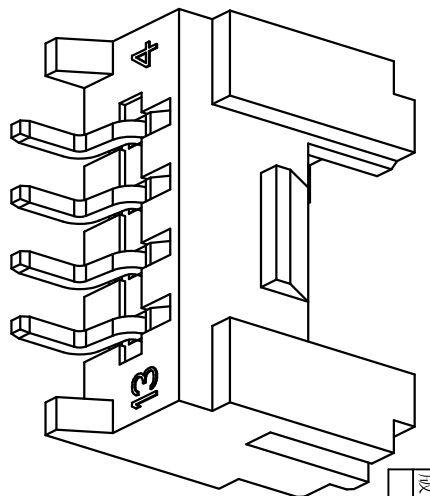


| 版次 (Ed) | 变更摘要 (Change The Content)  | 日期 (Date)  | 序号 (NO.) | 品名 (Name)  | 材质 (Material)        |
|---------|----------------------------|------------|----------|--|----------------------|
| 0       | 新产品发行 (New Product Launch) | 2017/09/06 | ①        | 2.00 F型端子2代(WTB)胶芯<br>2.00 Pitch R/A Wire to Board Housing (H=5.2) | LCP<br>本色<br>Natural |



技术指标 (Technical Index):

1. 塑件表面应光洁、无毛边、无明显收缩、缺陷、裂纹等现象。  
(The surface of the plastic parts should be smooth, no rough edges, no obvious shrinkage, defects, cracks and other phenomena)
2. 温度范围 (Temperature range):  $-40^{\circ}\text{C} \sim +85^{\circ}\text{C}$ .
3. 额定电压 (Rated voltage): 200V, AC.
4. 接触电阻 (Contact resistance):  $\leq 5\text{m}\Omega$  (Initial) per contact,  $\leq 25\text{m}\Omega$  Change allowed.
5. 绝缘电阻 (Insulation resistance):  $\geq 1000\text{M}\Omega$ .
6. 产品料号 (Product material No.): WT200FW—\*\* \* \*—2\*

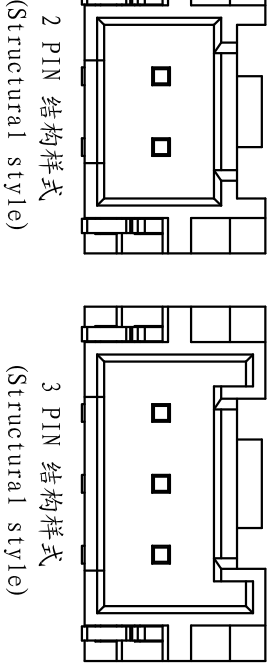
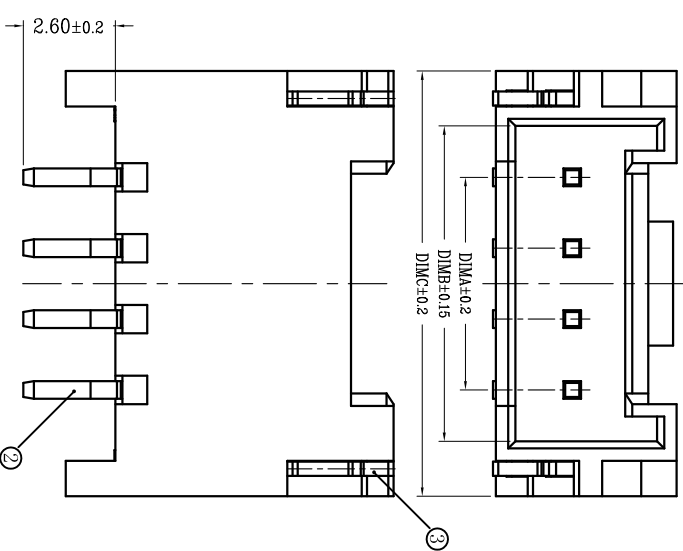


- 1: 端子合金 (Terminal G/F OVER ALL)
- 4: 端子全亮锡 (Terminal all bright tin)

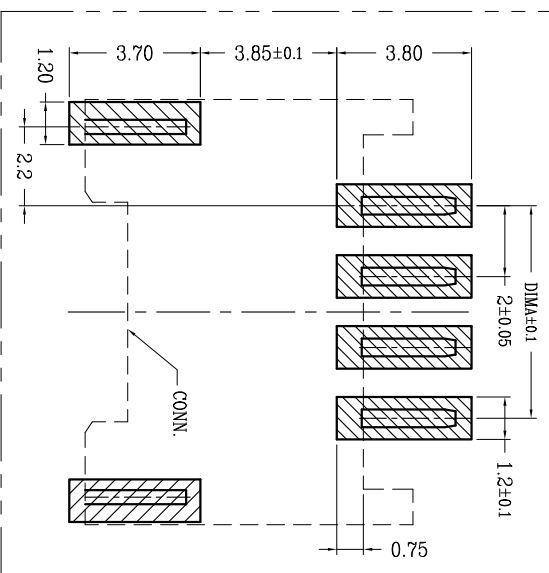
- T: TUBE管装
- R: TAPE & REEL卷装

|    |                                  |
|----|----------------------------------|
| 20 | 胶芯有LOGO(WD)housing with LOGO(WD) |
| 2W | 胶芯无LOGO(housing without LOGO)    |

| CKT | DIM A | DIM B | DIM C |
|-----|-------|-------|-------|
| 2   | 2.00  | 4.90  | 8.00  |
| 3   | 4.00  | 6.90  | 10.00 |
| 4   | 6.00  | 8.90  | 12.00 |
| 5   | 8.00  | 10.90 | 14.00 |
| 6   | 10.00 | 12.90 | 16.00 |
| 7   | 12.00 | 14.90 | 18.00 |
| 8   | 14.00 | 16.90 | 20.00 |
| 9   | 16.00 | 18.90 | 22.00 |
| 10  | 18.00 | 20.90 | 24.00 |
| 11  | 20.00 | 22.90 | 26.00 |
| 12  | 22.00 | 24.90 | 28.00 |
| 13  | 24.00 | 26.90 | 30.00 |
| 14  | 26.00 | 28.90 | 32.00 |
| 15  | 28.00 | 30.90 | 34.00 |
| 16  | 30.00 | 32.90 | 36.00 |
| 17  | 32.00 | 34.90 | 38.00 |
| 18  | 34.00 | 36.90 | 40.00 |
| 19  | 36.00 | 38.90 | 42.00 |
| 20  | 38.00 | 40.90 | 44.00 |



适用线路板 (PCB LAYOUT)



深圳市虹成电子有限公司

品名 (TITLE) 2.00 Pitch F型卧式2代WTB  
2.00 PITCH HS.2 R/A WIRE TO BOARD SWT. CONN.  
料号 (DWGNO) HCZZ0383-8  
制图 (DRW) Anlan  
校对 (CHKD) 王涛

一般公差 (TOLERANCE)  
X ±.50 XX ±.10  
X ±.20 XXX ±.05  
ANGLES ±1°

比例 (SCALE) 1:1  
单位 (UNITS) mm  
张数 (SHEET) 1 Of 1  
审核 (APPD) 黄志明  
尺寸 (SIZE) A4  
版数 (REV) A



## X-ON Electronics

Largest Supplier of Electrical and Electronic Components

*Click to view similar products for [Headers & Wire Housings](#) category:*

*Click to view products by [Hong Cheng](#) manufacturer:*

Other Similar products are found below :

[0015917161](#) [0022155065](#) [57102-F02-18ULF](#) [58102-G61-06LF](#) [582553-1](#) [01.001.5753.1](#) [0050291907](#) [02.125.8002.8](#) [609-3404](#) [61062-3](#)  
[CSU011177004](#) [622-0430](#) [622-3653LF](#) [63453-116](#) [636-1030](#) [636-1427](#) [636-3427](#) [636-4007](#) [641938-9](#) [65495-038](#) [65692-001LF](#) [65781-018](#)  
[65781-047](#) [65817-010LF](#) [65817-015LF](#) [67095-007LF](#) [67601157](#) [68631-112](#) [68645-018](#) [699319-000](#) [70.362.1628.0](#) [70-4210](#) [70-4226B](#) [70-](#)  
[4853B](#) [71.350.2428.0](#) [733-134](#) [733-162](#) [760-3052](#) [MHR-64-VUAL](#) [80.063.4001.1](#) [800-90-001-10-001000](#) [801-43-002-10-013000](#)  
[801-43-006-10-002000](#) [803-43-024-10-001000](#) [803-93-012-10-001000](#) [8-1437020-4](#) [819-22-004-30-001101](#) [820-22-006-30-001101](#)  
[820-22-008-30-001101](#) [821-22-002-10-001101](#)