

HCDB

PCB用DC-Link电容器



特点

- 金属化聚丙烯膜结构
- 方型塑壳封装，环氧树脂填充（UL94 V-0）
- 优良的电气性能

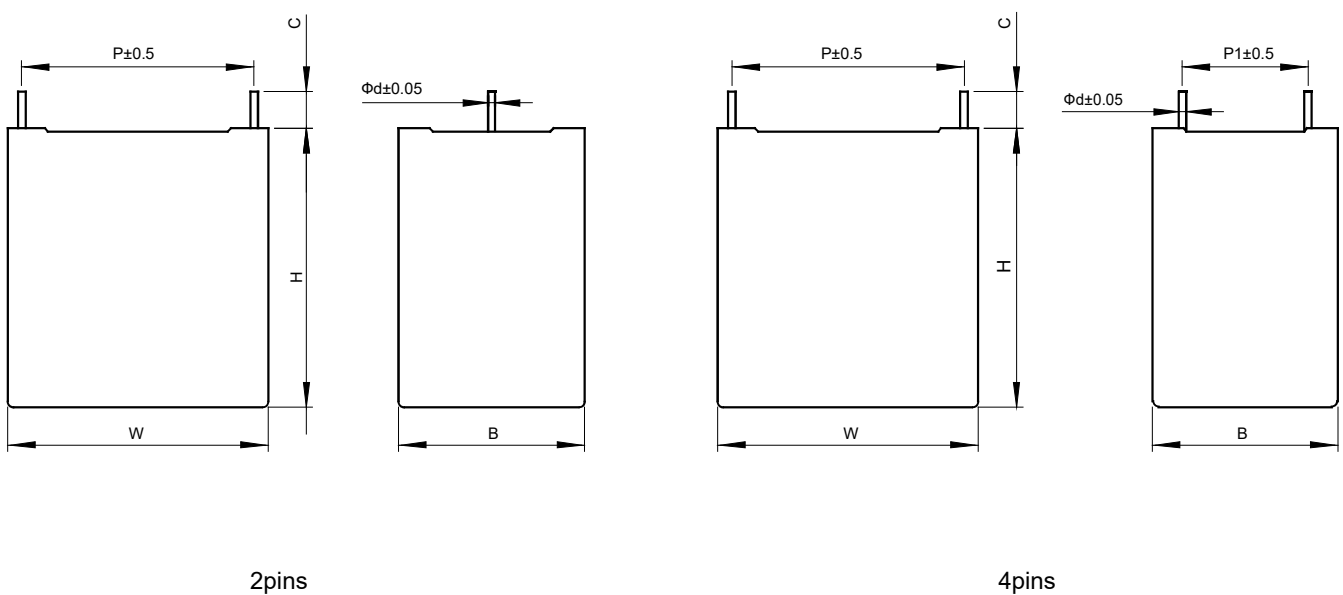
主要用途

- 应用于高性能直流滤波系统（如：太阳能逆变器、变频器、工业及高端电源等）

安全认证

	TUV	EN 61071:2017	0.6µF-140µF,±5%,±10%,500Vd.c.-1500Vd.c. 40/85/56,40/105/56 证书号：R 50516398
	UL	UL810	0.062µF-140µF,max 3000Vd.c. max 105°C 证书号：E222132,CCN:CZDS2

外形图

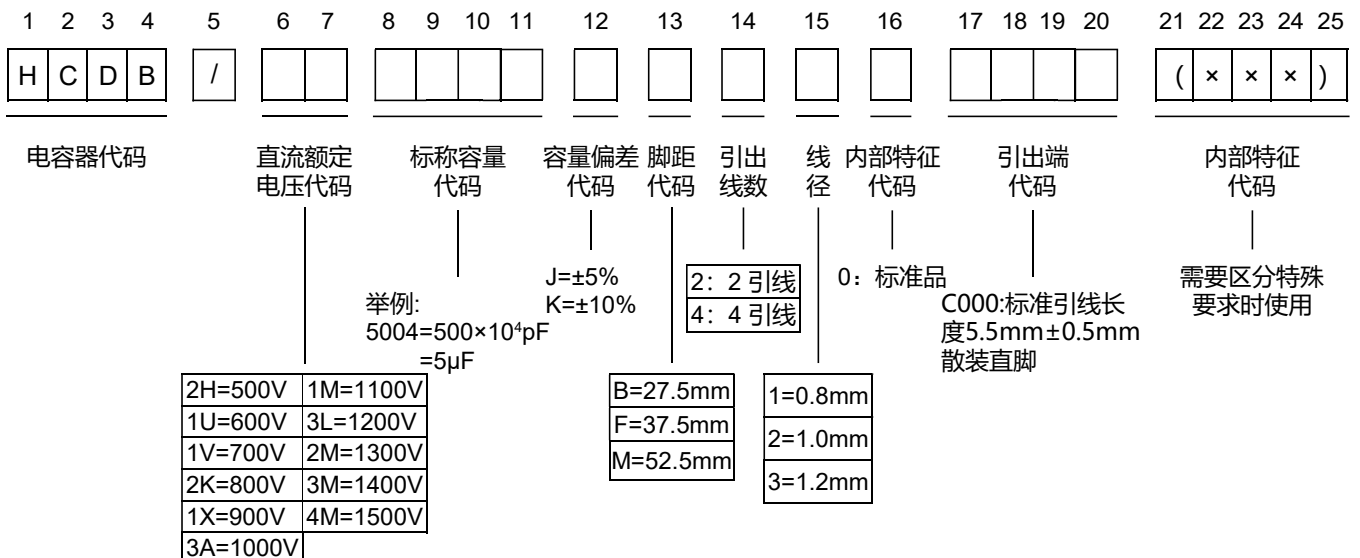


备注：产品外形尺寸以mm为单位，具体尺寸详见《产品尺寸表》。

技术要求

引用标准	GB/T 17702 (IEC 61071)
额定电压	500Vd.c.~1500Vd.c.
容量范围	0.6μF~140μF
气候类别	40/85/56,40/105/56
工作温度范围	-40°C~105°C (85°C~105°C: 温度每升高1度额定电压降低1.5%)
容量偏差	±5%(J),±10%(K)
耐电压	1.5U _N (10s,20°C±5°C)
绝缘电阻	≥10000s (20°C,100Vd.c.,60s)
自感 (L _s)	<1nH/mm
介质损耗角正切	0.0002
最大峰值电流 \hat{i} (A)	$\hat{i}=C \times dv/dt$
不可重复峰值电流	1.4 \hat{i} (寿命期间1000次)
过电压	1.1U _N (有载持续时间的30%/d)
	1.15 U _N (30min/d)
	1.2 U _N (5min/d)
	1.3 U _N (1min/d)
	1.5U _N (在本电容器的寿命期间, 允许有1000次大小等于1.5U _N 且持续30ms的过压)
预期寿命	100000h@U _N ,85°C,Θ _{hs} =85°C 8000h@U _N ,105°C,Θ _{hs} =105°C
失效率	≤300FIT@U _N ,85°C,Θ _{hs} =85°C

产品订货标记



产品尺寸

UN,85°C=500Vd.c.; UN,105°C=350Vd.c.													
CN (μF)	W±1 (mm)	H±1 (mm)	B±1 (mm)	P (mm)	P1 (mm)	d±0.05 (mm)	dv/dt (V/μs)	Î (A)	tanδ(×10 ⁻⁴)		ESR@10kHz (mΩ)	I _{max} (A)	产品订货标记
									1kHz	10kHz			
3	32	18	9	27.5	-	0.8	18	54	9	75	33.0	3.8	HCDB/2H3004*B210C000
4	32	20	11	27.5	-	0.8	18	72	9	75	24.7	4.6	HCDB/2H4004*B210C000
5	32	22	13	27.5	-	0.8	18	90	9	75	20.3	5.4	HCDB/2H5004*B210C000
6	32	22	13	27.5	-	0.8	18	108	9	80	18.0	5.8	HCDB/2H6004*B210C000
7	32	25	13	27.5	-	0.8	18	126	10	80	16.0	6.3	HCDB/2H7004*B210C000
8	32	25	13	27.5	-	0.8	18	144	10	85	14.4	6.7	HCDB/2H8004*B210C000
9	32	28	14	27.5	-	1.0	18	162	9	80	12.5	7.4	HCDB/2H9004*B220C000
10	32	28	14	27.5	-	1.0	18	180	10	80	11.5	7.8	HCDB/2H1005*B220C000
12	32	30	16	27.5	-	1.0	18	216	10	85	10.0	9.1	HCDB/2H1205*B220C000
16	32	33	18	27.5	-	1.2	18	288	10	85	7.8	10.7	HCDB/2H1605*B230C000
20	32	37	22	27.5	-	1.2	18	360	10	85	6.8	13.3	HCDB/2H2005*B230C000
20	32	37	22	27.5	10.2	1.0	18	360	9	85	6.0	14.3	HCDB/2H2005*B420C000
24	32	37	22	27.5	10.2	1.0	18	432	9	85	6.0	14.3	HCDB/2H2405*B420C000
24	42	33	18	37.5	-	1.2	12	288	14	140	9.5	10.6	HCDB/2H2405*F230C000
30	42	40	20	37.5	-	1.2	12	360	15	145	8.3	12.1	HCDB/2H3005*F230C000
30	42	40	20	37.5	10.2	1.0	12	360	14	140	7.4	12.9	HCDB/2H3005*F420C000
35	42	44	24	37.5	-	1.2	12	420	16	150	7.5	12.5	HCDB/2H3505*F230C000
35	42	44	24	37.5	10.2	1.0	12	420	14	145	6.6	13.4	HCDB/2H3505*F420C000
40	42	44	24	37.5	-	1.2	12	480	16	155	6.9	14.7	HCDB/2H4005*F230C000
40	42	44	24	37.5	10.2	1.0	12	480	14	140	5.8	16.2	HCDB/2H4005*F420C000
45	42	44	24	37.5	-	1.2	12	540	16	160	6.4	15.3	HCDB/2H4505*F230C000
45	42	44	24	37.5	10.2	1.0	12	540	14	150	5.5	16.8	HCDB/2H4505*F420C000
50	42	45	30	37.5	20.3	1.0	12	600	14	155	5.1	18.2	HCDB/2H5005*F420C000
55	42	45	30	37.5	20.3	1.2	12	660	14	145	4.6	19.4	HCDB/2H5505*F430C000
60	42	45	30	37.5	20.3	1.2	12	720	14	150	4.3	20.1	HCDB/2H6005*F430C000
65	42	46	35	37.5	20.3	1.2	12	780	14	150	4.1	20.7	HCDB/2H6505*F430C000
70	42	50	35	37.5	20.3	1.2	12	840	15	155	3.9	24.0	HCDB/2H7005*F430C000
75	42	50	35	37.5	20.3	1.2	12	900	15	155	3.8	24.7	HCDB/2H7505*F430C000
80	42	55	40	37.5	20.3	1.2	12	960	15	165	3.7	27.6	HCDB/2H8005*F430C000

备注: (1) “*”表示产品的容量偏差, J=±5%, K=±10%。

产品尺寸

UN,85°C=500Vd.c.; UN,105°C=350Vd.c.													
CN (μF)	W±1 (mm)	H±1 (mm)	B±1 (mm)	P (mm)	P1 (mm)	d±0.05 (mm)	dv/dt (V/μs)	Ī (A)	tanδ(×10 ⁻⁴)		ESR@10kHz (mΩ)	I _{max} (A)	产品订货标记
									1kHz	10kHz			
85	42	55	40	37.5	20.3	1.2	12	1020	15	165	3.5	28.3	HCDB/2H8505*F430C000
90	42	55	40	37.5	20.3	1.2	12	1080	15	170	3.4	28.9	HCDB/2H9005*F430C000
90	57.5	45	30	52.5	20.3	1.2	8	720	24	270	5.5	19.4	HCDB/2H9005*M430C000
95	57.5	50	35	52.5	20.3	1.2	8	760	24	275	5.3	21.8	HCDB/2H9505*M430C000
100	57.5	50	35	52.5	20.3	1.2	8	800	25	275	5.1	22.3	HCDB/2H1006*M430C000
110	57.5	50	35	52.5	20.3	1.2	8	880	25	280	4.7	23.3	HCDB/2H1106*M430C000
120	57.5	55	45	52.5	20.3	1.2	8	960	25	285	4.5	27.0	HCDB/2H1206*M430C000
130	57.5	55	45	52.5	20.3	1.2	8	1040	25	290	4.2	28.0	HCDB/2H1306*M430C000
140	57.5	55	45	52.5	20.3	1.2	8	1120	25	295	4.0	28.9	HCDB/2H1406*M430C000
UN,85°C=600Vd.c.; UN,105°C=420Vd.c.													
CN (μF)	W±1 (mm)	H±1 (mm)	B±1 (mm)	P (mm)	P1 (mm)	d±0.05 (mm)	dv/dt (V/μs)	Ī (A)	tanδ(×10 ⁻⁴)		ESR@10kHz (mΩ)	I _{max} (A)	产品订货标记
									1kHz	10kHz			
2	32	18	9	27.5	-	0.8	20	40	8	70	42.0	3.4	HCDB/1U2004*B210C000
3	32	20	11	27.5	-	0.8	20	60	8	70	28.9	4.3	HCDB/1U3004*B210C000
4	32	22	13	27.5	-	0.8	20	80	9	70	22.5	5.1	HCDB/1U4004*B210C000
5	32	25	13	27.5	-	0.8	20	100	9	70	18.8	5.8	HCDB/1U5004*B210C000
6	32	28	14	27.5	-	0.8	20	120	9	75	16.3	6.4	HCDB/1U6004*B210C000
7	32	30	16	27.5	-	1.0	20	140	9	75	13.8	7.6	HCDB/1U7004*B220C000
8	32	30	16	27.5	-	1.0	20	160	9	75	12.4	8.1	HCDB/1U8004*B220C000
9	32	33	18	27.5	-	1.0	20	180	9	75	11.3	8.7	HCDB/1U9004*B220C000
10	32	33	18	27.5	-	1.0	20	200	9	75	10.5	9.1	HCDB/1U1005*B220C000
11	32	33	18	27.5	-	1.0	20	220	9	75	9.8	9.4	HCDB/1U1105*B220C000
15	32	37	22	27.5	-	1.2	20	300	9	75	7.5	12.5	HCDB/1U1505*B230C000
15	32	37	22	27.5	10.2	1.0	20	300	9	75	6.7	13.4	HCDB/1U1505*B420C000
20	42	40	20	37.5	-	1.2	14	280	13	125	10.0	10.9	HCDB/1U2005*F230C000
20	42	40	20	37.5	10.2	1.0	14	280	12	115	9.0	11.5	HCDB/1U2005*F420C000
22	42	40	20	37.5	-	1.2	14	308	13	125	9.3	11.3	HCDB/1U2205*F230C000
25	42	44	24	37.5	-	1.2	14	350	13	125	8.4	13.1	HCDB/1U2505*F230C000
25	42	44	24	37.5	10.2	1.0	14	350	13	120	7.6	13.9	HCDB/1U2505*F420C000
25	42	37	28	37.5	-	1.2	14	350	13	125	8.4	12.7	HCDB/1U2505*F230C000

备注: (1) “*”表示产品的容量偏差, J=±5%, K=±10%。

产品尺寸

UN,85°C=600Vd.c.; UN,105°C=420Vd.c.													
CN (μ F)	W \pm 1 (mm)	H \pm 1 (mm)	B \pm 1 (mm)	P (mm)	P1 (mm)	d \pm 0.05 (mm)	dv/dt (V/ μ s)	\hat{I} (A)	tan δ ($\times 10^{-4}$)		ESR@10kHz (m Ω)	I _{max} (A)	产品订货标记
									1kHz	10kHz			
25	42	37	28	37.5	10.2	1.0	14	350	13	120	7.6	13.4	HCDB/1U2505*F420C000
30	42	44	24	37.5	10.2	1.0	14	420	13	125	6.6	15.0	HCDB/1U3005*F420C000
30	42	37	28	37.5	10.2	1.0	14	420	13	125	6.6	14.6	HCDB/1U3005*F420C000
35	42	45	30	37.5	20.3	1.0	14	490	13	130	5.9	16.6	HCDB/1U3505*F420C000
40	42	45	30	37.5	20.3	1.0	14	560	13	135	5.4	17.6	HCDB/1U4005*F420C000
45	42	46	35	37.5	20.3	1.2	14	630	13	130	4.8	18.8	HCDB/1U4505*F430C000
48	42	46	35	37.5	20.3	1.2	14	672	13	130	4.6	19.4	HCDB/1U4805*F430C000
50	42	50	35	37.5	20.3	1.2	14	700	13	130	4.5	22.1	HCDB/1U5005*F430C000
55	42	50	35	37.5	20.3	1.2	14	770	13	135	4.2	23.0	HCDB/1U5505*F430C000
60	42	55	40	37.5	20.3	1.2	14	840	13	140	4.0	26.0	HCDB/1U6005*F430C000
65	42	55	40	37.5	20.3	1.2	14	910	13	140	3.8	26.9	HCDB/1U6505*F430C000
70	42	55	40	37.5	20.3	1.2	14	980	13	145	3.6	27.7	HCDB/1U7005*F430C000
75	42	60	45	37.5	20.3	1.2	14	1050	14	145	3.5	28.6	HCDB/1U7505*F430C000
80	42	60	45	37.5	20.3	1.2	14	1120	14	150	3.4	29.3	HCDB/1U8005*F430C000
85	42	60	45	37.5	20.3	1.2	14	1190	14	150	3.2	30.0	HCDB/1U8505*F430C000
50	57.5	45	25	52.5	10.2	1.2	10	500	21	225	7.7	14.7	HCDB/1U5005*M430C000
55	57.5	45	30	52.5	20.3	1.2	10	550	21	225	7.1	16.6	HCDB/1U5505*M430C000
60	57.5	45	30	52.5	20.3	1.2	10	600	21	225	6.6	17.3	HCDB/1U6005*M430C000
65	57.5	50	35	52.5	20.3	1.2	10	650	21	230	6.3	19.6	HCDB/1U6505*M430C000
70	57.5	50	35	52.5	20.3	1.2	10	700	21	235	5.9	20.3	HCDB/1U7005*M430C000
75	57.5	50	35	52.5	20.3	1.2	10	750	21	235	5.6	21.0	HCDB/1U7505*M430C000
80	57.5	55	45	52.5	20.3	1.2	10	800	22	240	5.3	24.1	HCDB/1U8005*M430C000
85	57.5	55	45	52.5	20.3	1.2	10	850	22	240	5.1	24.8	HCDB/1U8505*M430C000
90	57.5	55	45	52.5	20.3	1.2	10	900	22	240	4.9	25.5	HCDB/1U9005*M430C000
100	57.5	55	45	52.5	20.3	1.2	10	1000	22	245	4.6	26.7	HCDB/1U1006*M430C000
110	57.5	55	45	52.5	20.3	1.2	10	1100	22	250	4.3	27.8	HCDB/1U1106*M430C000
120	57.5	65	45	52.5	20.3	1.2	10	1200	22	255	4.0	30.9	HCDB/1U1206*M430C000
130	57.5	65	45	52.5	20.3	1.2	10	1300	23	260	3.8	32.0	HCDB/1U1306*M430C000

备注: (1) "*"表示产品的容量偏差, J=±5%, K=±10%。

产品尺寸

UN,85°C=700Vd.c.; UN,105°C=500Vd.c.													
CN (μF)	W±1 (mm)	H±1 (mm)	B±1 (mm)	P (mm)	P1 (mm)	d±0.05 (mm)	dv/dt (V/μs)	Î (A)	tanδ(×10 ⁻⁴)		ESR@10kHz (mΩ)	Imax (A)	产品订货标记
									1kHz	10kHz			
2	32	18	9	27.5	-	0.8	20	40	8	70	42.0	3.4	HCDB/1V2004*B210C000
3	32	20	11	27.5	-	0.8	20	60	8	70	28.9	4.3	HCDB/1V3004*B210C000
4	32	22	13	27.5	-	0.8	20	80	9	70	22.5	5.1	HCDB/1V4004*B210C000
5	32	25	13	27.5	-	0.8	20	100	9	70	18.8	5.8	HCDB/1V5004*B210C000
6	32	28	14	27.5	-	0.8	20	120	9	75	16.3	6.4	HCDB/1V6004*B210C000
7	32	30	16	27.5	-	1.0	20	140	9	75	13.8	7.6	HCDB/1V7004*B220C000
8	32	30	16	27.5	-	1.0	20	160	9	75	12.4	8.1	HCDB/1V8004*B220C000
9	32	33	18	27.5	-	1.0	20	180	9	75	11.3	8.7	HCDB/1V9004*B220C000
10	32	33	18	27.5	-	1.0	20	200	9	75	10.5	9.1	HCDB/1V1005*B220C000
11	32	33	18	27.5	-	1.0	20	220	9	75	9.8	9.4	HCDB/1V1105*B220C000
15	32	37	22	27.5	-	1.2	20	300	9	75	7.5	12.5	HCDB/1V1505*B230C000
15	32	37	22	27.5	10.2	1.0	20	300	9	75	6.7	13.4	HCDB/1V1505*B420C000
20	42	40	20	37.5	-	1.2	14	280	13	125	10.0	10.9	HCDB/1V2005*F230C000
20	42	40	20	37.5	10.2	1.0	14	280	12	115	9.0	11.5	HCDB/1V2005*F420C000
22	42	40	20	37.5	-	1.2	14	308	13	125	9.3	11.3	HCDB/1V2205*F230C000
25	42	44	24	37.5	-	1.2	14	350	13	125	8.4	13.1	HCDB/1V2505*F230C000
25	42	44	24	37.5	10.2	1.0	14	350	13	120	7.6	13.9	HCDB/1V2505*F420C000
25	42	37	28	37.5	-	1.2	14	350	13	125	8.4	12.7	HCDB/1V2505*F230C000
25	42	37	28	37.5	10.2	1.0	14	350	13	120	7.6	13.4	HCDB/1V2505*F420C000
30	42	44	24	37.5	10.2	1.0	14	420	13	125	6.6	15.0	HCDB/1V3005*F420C000
30	42	37	28	37.5	10.2	1.0	14	420	13	125	6.6	14.6	HCDB/1V3005*F420C000
35	42	45	30	37.5	20.3	1.0	14	490	13	130	5.9	16.6	HCDB/1V3505*F420C000
40	42	45	30	37.5	20.3	1.0	14	560	13	135	5.4	17.6	HCDB/1V4005*F420C000
45	42	46	35	37.5	20.3	1.2	14	630	13	130	4.8	18.8	HCDB/1V4505*F430C000
48	42	46	35	37.5	20.3	1.2	14	672	13	130	4.6	19.4	HCDB/1V4805*F430C000
50	42	50	35	37.5	20.3	1.2	14	700	13	130	4.5	22.1	HCDB/1V5005*F430C000
55	42	50	35	37.5	20.3	1.2	14	770	13	135	4.2	23.0	HCDB/1V5505*F430C000
60	42	55	40	37.5	20.3	1.2	14	840	13	140	4.0	26.0	HCDB/1V6005*F430C000
65	42	55	40	37.5	20.3	1.2	14	910	13	140	3.8	26.9	HCDB/1V6505*F430C000
70	42	55	40	37.5	20.3	1.2	14	980	13	145	3.6	27.7	HCDB/1V7005*F430C000

备注: (1) “*”表示产品的容量偏差, J=±5%, K=±10%。

产品尺寸

UN,85°C=700Vd.c.; UN,105°C=500Vd.c.													
CN (μF)	W±1 (mm)	H±1 (mm)	B±1 (mm)	P (mm)	P1 (mm)	d±0.05 (mm)	dv/dt (V/μs)	Ī (A)	tanδ(×10 ⁻⁴)		ESR@10kHz (mΩ)	I _{max} (A)	产品订货标记
									1kHz	10kHz			
75	42	60	45	37.5	20.3	1.2	14	1050	14	145	3.5	28.6	HCDB/1V7505*F430C000
80	42	60	45	37.5	20.3	1.2	14	1120	14	150	3.4	29.3	HCDB/1V8005*F430C000
85	42	60	45	37.5	20.3	1.2	14	1190	14	150	3.2	30.0	HCDB/1V8505*F430C000
50	57.5	45	25	52.5	10.2	1.2	10	500	21	225	7.7	14.7	HCDB/1V5005*M430C000
55	57.5	45	30	52.5	20.3	1.2	10	550	21	225	7.1	16.6	HCDB/1V5505*M430C000
60	57.5	45	30	52.5	20.3	1.2	10	600	21	225	6.6	17.3	HCDB/1V6005*M430C000
65	57.5	50	35	52.5	20.3	1.2	10	650	21	230	6.3	19.6	HCDB/1V6505*M430C000
70	57.5	50	35	52.5	20.3	1.2	10	700	21	235	5.9	20.3	HCDB/1V7005*M430C000
75	57.5	50	35	52.5	20.3	1.2	10	750	21	235	5.6	21.0	HCDB/1V7505*M430C000
80	57.5	55	45	52.5	20.3	1.2	10	800	22	240	5.3	24.1	HCDB/1V8005*M430C000
85	57.5	55	45	52.5	20.3	1.2	10	850	22	240	5.1	24.8	HCDB/1V8505*M430C000
90	57.5	55	45	52.5	20.3	1.2	10	900	22	240	4.9	25.5	HCDB/1V9005*M430C000
100	57.5	55	45	52.5	20.3	1.2	10	1000	22	245	4.6	26.7	HCDB/1V1006*M430C000
110	57.5	55	45	52.5	20.3	1.2	10	1100	22	250	4.3	27.8	HCDB/1V1106*M430C000
120	57.5	65	45	52.5	20.3	1.2	10	1200	22	255	4.0	30.9	HCDB/1V1206*M430C000
130	57.5	65	45	52.5	20.3	1.2	10	1300	23	260	3.8	32.0	HCDB/1V1306*M430C000
UN,85°C=800Vd.c.; UN,105°C=560Vd.c.													
CN (μF)	W±1 (mm)	H±1 (mm)	B±1 (mm)	P (mm)	P1 (mm)	d±0.05 (mm)	dv/dt (V/μs)	Ī (A)	tanδ(×10 ⁻⁴)		ESR@10kHz (mΩ)	I _{max} (A)	产品订货标记
									1kHz	10kHz			
1.5	32	18	9	27.5	-	0.8	30	45	8	65	48.9	3.1	HCDB/2K1504*B210C000
2	32	22	13	27.5	-	0.8	30	60	8	65	37.5	3.9	HCDB/2K2004*B210C000
3	32	22	13	27.5	-	0.8	30	90	8	65	26.0	4.7	HCDB/2K3004*B210C000
4	32	25	13	27.5	-	0.8	30	120	8	65	20.4	5.5	HCDB/2K4004*B210C000
5	32	28	14	27.5	-	0.8	30	150	8	65	17.1	6.3	HCDB/2K5004*B210C000
6	32	30	16	27.5	-	1.0	30	180	8	65	14.0	7.6	HCDB/2K6004*B220C000
7	32	33	18	27.5	-	1.0	30	210	8	65	12.3	8.3	HCDB/2K7004*B220C000
8	32	33	18	27.5	-	1.0	30	240	8	70	11.1	8.8	HCDB/2K8004*B220C000
9	32	37	22	27.5	-	1.2	30	270	8	65	9.9	10.7	HCDB/2K9004*B230C000
10	32	37	22	27.5	-	1.2	30	300	8	70	9.2	11.1	HCDB/2K1005*B230C000
12	32	37	22	27.5	-	1.2	30	360	8	70	8.0	12.0	HCDB/2K1205*B230C000

备注: (1) “*”表示产品的容量偏差, J=±5%, K=±10%。

产品尺寸

UN,85°C=800Vd.c.; UN,105°C=560Vd.c.													
CN (μF)	W±1 (mm)	H±1 (mm)	B±1 (mm)	P (mm)	P1 (mm)	d±0.05 (mm)	dv/dt (V/μs)	Î (A)	tanδ(×10 ⁻⁴)		ESR@10kHz (mΩ)	I _{max} (A)	产品订货标记
									1kHz	10kHz			
12	42	33	18	37.5	-	1.2	22	264	12	110	13.6	8.8	HCDB/2K1205*F230C000
15	42	40	20	37.5	-	1.2	22	330	12	110	11.3	10.2	HCDB/2K1505*F230C000
15	42	40	20	37.5	10.2	1.0	22	330	11	105	10.5	10.6	HCDB/2K1505*F420C000
20	42	44	24	37.5	-	1.2	22	440	12	115	10.5	11.5	HCDB/2K2005*F230C000
20	42	44	24	37.5	10.2	1.0	22	440	11	110	9.6	12.1	HCDB/2K2005*F420C000
25	42	44	24	37.5	-	1.2	22	550	13	120	7.8	13.6	HCDB/2K2505*F230C000
25	42	44	24	37.5	10.2	1.0	22	550	12	115	6.9	14.6	HCDB/2K2505*F420C000
30	42	45	30	37.5	20.3	1.0	22	660	12	115	6.0	16.4	HCDB/2K3005*F420C000
35	42	46	35	37.5	20.3	1.0	22	770	12	120	5.4	17.5	HCDB/2K3505*F420C000
40	42	50	35	37.5	20.3	1.2	22	880	12	115	4.8	21.2	HCDB/2K4005*F430C000
45	42	55	40	37.5	20.3	1.2	22	990	12	120	4.4	24.3	HCDB/2K4505*F430C000
50	42	55	40	37.5	20.3	1.2	22	1100	12	125	4.1	25.4	HCDB/2K5005*F430C000
55	42	55	40	37.5	20.3	1.2	22	1210	12	125	3.9	26.5	HCDB/2K5505*F430C000
60	42	60	45	37.5	20.3	1.2	22	1320	12	130	3.7	27.4	HCDB/2K6005*F430C000
65	42	60	45	37.5	20.3	1.2	22	1430	12	130	3.5	28.4	HCDB/2K6505*F430C000
50	57.5	45	30	52.5	20.3	1.2	14	700	19	200	6.9	16.9	HCDB/2K5005*M430C000
55	57.5	50	35	52.5	20.3	1.2	14	770	19	205	6.4	19.3	HCDB/2K5505*M430C000
60	57.5	50	35	52.5	20.3	1.2	14	840	19	205	6.0	20.1	HCDB/2K6005*M430C000
65	57.5	50	35	52.5	20.3	1.2	14	910	19	210	5.7	20.8	HCDB/2K6505*M430C000
70	57.5	55	45	52.5	20.3	1.2	14	980	19	210	5.4	24.1	HCDB/2K7005*M430C000
75	57.5	55	45	52.5	20.3	1.2	14	1050	20	215	5.1	24.9	HCDB/2K7505*M430C000
80	57.5	55	45	52.5	20.3	1.2	14	1120	20	215	4.9	25.6	HCDB/2K8005*M430C000
85	57.5	55	45	52.5	20.3	1.2	14	1190	20	220	4.7	26.3	HCDB/2K8505*M430C000
90	57.5	55	45	52.5	20.3	1.2	14	1260	20	220	4.5	27.0	HCDB/2K9005*M430C000
100	57.5	65	45	52.5	20.3	1.2	14	1400	20	225	4.2	30.2	HCDB/2K1006*M430C000
110	57.5	65	45	52.5	20.3	1.2	14	1540	20	230	3.9	31.5	HCDB/2K1106*M430C000

备注: (1) “*”表示产品的容量偏差, J=±5%, K=±10%。

产品尺寸

U _{N,85°C} =900Vd.c.; U _{N,105°C} =630Vd.c.													
C _N (μF)	W±1 (mm)	H±1 (mm)	B±1 (mm)	P (mm)	P1 (mm)	d±0.05 (mm)	dv/dt (V/μs)	Î (A)	tanδ(×10 ⁻⁴)		ESR@10kHz (mΩ)	I _{max} (A)	产品订货标记
									1kHz	10kHz			
1	32	18	9	27.5	-	0.8	34	34	8	60	64.9	2.7	HCDB/1X1004*B210C000
1.5	32	20	11	27.5	-	0.8	34	51	8	60	44.2	3.4	HCDB/1X1504*B210C000
2	32	22	13	27.5	-	0.8	34	68	8	60	34.0	4.1	HCDB/1X2004*B210C000
2.5	32	22	13	27.5	-	0.8	34	85	8	60	27.9	4.6	HCDB/1X2504*B210C000
3	32	28	14	27.5	-	0.8	34	102	8	60	24.0	5.2	HCDB/1X3004*B210C000
4	32	28	14	27.5	-	0.8	34	136	8	60	18.8	6.0	HCDB/1X4004*B210C000
5	32	30	16	27.5	-	1.0	34	170	8	60	15.1	7.3	HCDB/1X5004*B220C000
6	32	33	18	27.5	-	1.0	34	204	8	65	13.0	8.1	HCDB/1X6004*B220C000
7	32	33	18	27.5	-	1.0	34	238	8	65	11.5	8.6	HCDB/1X7004*B220C000
8	32	37	22	27.5	-	1.2	34	272	8	65	10.0	10.6	HCDB/1X8004*B230C000
9	32	37	22	27.5	-	1.2	34	306	8	65	9.1	11.2	HCDB/1X9004*B230C000
10	42	33	18	37.5	-	1.2	24	240	11	100	14.4	8.5	HCDB/1X1005*F230C000
12	42	40	20	37.5	-	1.2	24	288	11	100	12.4	9.7	HCDB/1X1205*F230C000
12	42	40	20	37.5	10.2	1.0	24	288	11	95	11.5	10.1	HCDB/1X1205*F420C000
15	42	44	24	37.5	-	1.2	24	360	11	105	10.5	10.3	HCDB/1X1505*F230C000
15	42	44	24	37.5	10.2	1.0	24	360	11	100	9.6	10.9	HCDB/1X1505*F420C000
18	42	44	24	37.5	-	1.2	24	432	12	105	9.1	12.5	HCDB/1X1805*F230C000
18	42	44	24	37.5	10.2	1.0	24	432	11	100	8.2	13.2	HCDB/1X1805*F420C000
20	42	45	30	37.5	10.2	1.0	24	480	11	100	7.6	14.4	HCDB/1X2005*F420C000
25	42	45	30	37.5	20.3	1.0	24	600	11	105	6.3	15.9	HCDB/1X2505*F420C000
30	42	46	35	37.5	20.3	1.2	24	720	11	105	5.4	17.5	HCDB/1X3005*F430C000
34	42	50	35	37.5	20.3	1.2	24	816	11	105	4.9	20.7	HCDB/1X3405*F430C000
40	42	55	40	37.5	20.3	1.2	24	960	11	110	4.5	24.2	HCDB/1X4005*F430C000
45	42	55	40	37.5	20.3	1.2	24	1080	11	115	4.1	25.5	HCDB/1X4505*F430C000
50	42	60	45	37.5	20.3	1.2	24	1200	11	115	3.8	26.7	HCDB/1X5005*F430C000
55	42	60	45	37.5	20.3	1.2	24	1320	12	120	3.6	27.7	HCDB/1X5505*F430C000
35	57.5	45	30	52.5	20.3	1.2	16	560	17	175	8.4	15.1	HCDB/1X3505*M430C000
40	57.5	50	35	52.5	20.3	1.2	16	640	17	180	7.6	17.5	HCDB/1X4005*M430C000
45	57.5	50	35	52.5	20.3	1.2	16	720	17	185	6.9	18.5	HCDB/1X4505*M430C000
50	57.5	50	35	52.5	20.3	1.2	16	800	18	185	6.3	19.5	HCDB/1X5005*M430C000

备注: (1) ** "表示产品的容量偏差, J=±5%, K=±10%。

产品尺寸

UN,85°C=900Vd.c.; UN,105°C=630Vd.c.													
CN (μF)	W±1 (mm)	H±1 (mm)	B±1 (mm)	P (mm)	P1 (mm)	d±0.05 (mm)	dv/dt (V/μs)	Ī (A)	tanδ(×10 ⁻⁴)		ESR@10kHz (mΩ)	I _{max} (A)	产品订货标记
									1kHz	10kHz			
55	57.5	55	45	52.5	20.3	1.2	16	880	18	185	5.9	22.8	HCDB/1X5505*M430C000
60	57.5	55	45	52.5	20.3	1.2	16	960	18	190	5.5	23.7	HCDB/1X6005*M430C000
65	57.5	55	45	52.5	20.3	1.2	16	1040	18	190	5.2	24.6	HCDB/1X6505*M430C000
70	57.5	55	45	52.5	20.3	1.2	16	1120	18	195	4.9	25.4	HCDB/1X7005*M430C000
75	57.5	65	45	52.5	20.3	1.2	16	1200	18	195	4.7	28.0	HCDB/1X7505*M430C000
80	57.5	65	45	52.5	20.3	1.2	16	1280	18	200	4.5	28.8	HCDB/1X8005*M430C000
85	57.5	65	45	52.5	20.3	1.2	16	1360	18	200	4.3	29.6	HCDB/1X8505*M430C000
UN,85°C=1000Vd.c.; UN,105°C=700Vd.c.													
CN (μF)	W±1 (mm)	H±1 (mm)	B±1 (mm)	P (mm)	P1 (mm)	d±0.05 (mm)	dv/dt (V/μs)	Ī (A)	tanδ(×10 ⁻⁴)		ESR@10kHz (mΩ)	I _{max} (A)	产品订货标记
									1kHz	10kHz			
1	32	18	9	27.5	-	0.8	38	38	7	55	59.2	2.8	HCDB/3A1004*B210C000
1.5	32	20	11	27.5	-	0.8	38	57	7	55	40.4	3.6	HCDB/3A1504*B210C000
2	32	22	13	27.5	-	0.8	38	76	7	55	31.1	4.3	HCDB/3A2004*B210C000
2.5	32	25	13	27.5	-	0.8	38	95	7	55	25.7	4.9	HCDB/3A2504*B210C000
3	32	28	14	27.5	-	0.8	38	114	7	60	22.1	5.5	HCDB/3A3004*B210C000
4	32	30	16	27.5	-	1.0	38	152	7	55	16.6	6.9	HCDB/3A4004*B220C000
5	32	33	18	27.5	-	1.0	38	190	8	60	13.9	7.8	HCDB/3A5004*B220C000
5.5	32	33	18	27.5	-	1.0	38	209	8	60	12.9	8.1	HCDB/3A5504*B220C000
7	32	37	22	27.5	-	1.2	38	266	8	60	10.3	10.4	HCDB/3A7004*B230C000
8	32	37	22	27.5	-	1.2	38	304	8	60	9.3	11.1	HCDB/3A8004*B230C000
8	42	33	18	37.5	-	1.2	26	208	10	90	16.0	8.0	HCDB/3A8004*F230C000
10	42	40	20	37.5	-	1.2	26	260	10	90	13.2	9.3	HCDB/3A1005*F230C000
10	42	40	20	37.5	10.2	1.0	26	260	10	90	12.4	9.7	HCDB/3A1005*F420C000
15	42	44	24	37.5	-	1.2	26	390	11	95	9.7	12.1	HCDB/3A1505*F230C000
15	42	44	24	37.5	10.2	1.0	26	390	10	95	8.8	12.7	HCDB/3A1505*F420C000
20	42	45	30	37.5	10.2	1.0	26	520	10	95	7.0	15.0	HCDB/3A2005*F420C000
24	42	46	35	37.5	20.3	1.0	26	624	10	100	6.1	16.2	HCDB/3A2405*F420C000
25	42	50	35	37.5	20.3	1.0	26	650	10	100	5.9	18.5	HCDB/3A2505*F420C000
30	42	55	40	37.5	20.3	1.2	26	780	10	95	5.0	22.4	HCDB/3A3005*F430C000
35	42	55	40	37.5	20.3	1.2	26	910	10	100	4.5	24.0	HCDB/3A3505*F430C000

备注: (1) “*”表示产品的容量偏差, J=±5%, K=±10%。

产品尺寸

UN,85°C=1000Vd.c.; UN,105°C=700Vd.c.													
C _N (μF)	W±1 (mm)	H±1 (mm)	B±1 (mm)	P (mm)	P1 (mm)	d±0.05 (mm)	dv/dt (V/μs)	Ī (A)	tanδ(×10 ⁻⁴)		ESR@10kHz (mΩ)	I _{max} (A)	产品订货标记
									1kHz	10kHz			
40	42	60	45	37.5	20.3	1.2	26	1040	11	100	4.1	25.5	HCDB/3A4005*F430C000
30	57.5	45	30	52.5	20.3	1.2	18	540	16	160	8.8	14.7	HCDB/3A3005*M430C000
35	57.5	50	35	52.5	20.3	1.2	18	630	16	165	7.8	17.3	HCDB/3A3505*M430C000
40	57.5	50	35	52.5	20.3	1.2	18	720	16	165	7.0	18.4	HCDB/3A4005*M430C000
45	57.5	55	45	52.5	20.3	1.2	18	810	16	170	6.3	21.8	HCDB/3A4505*M430C000
50	57.5	55	45	52.5	20.3	1.2	18	900	16	170	5.9	22.8	HCDB/3A5005*M430C000
55	57.5	55	45	52.5	20.3	1.2	18	990	16	175	5.4	23.9	HCDB/3A5505*M430C000
60	57.5	65	45	52.5	20.3	1.2	18	1080	17	175	5.1	26.5	HCDB/3A6005*M430C000
65	57.5	65	45	52.5	20.3	1.2	18	1170	17	180	4.8	27.5	HCDB/3A6505*M430C000
UN,85°C=1100Vd.c.; UN,105°C=770Vd.c.													
C _N (μF)	W±1 (mm)	H±1 (mm)	B±1 (mm)	P (mm)	P1 (mm)	d±0.05 (mm)	dv/dt (V/μs)	Ī (A)	tanδ(×10 ⁻⁴)		ESR@10kHz (mΩ)	I _{max} (A)	产品订货标记
									1kHz	10kHz			
1	32	20	11	27.5	-	0.8	42	42	7	50	52.6	3.1	HCDB/1M1004*B210C000
1.5	32	22	13	27.5	-	0.8	42	63	7	50	36.1	4.0	HCDB/1M1504*B210C000
2	32	25	13	27.5	-	0.8	42	84	7	50	28.0	4.7	HCDB/1M2004*B210C000
2.5	32	28	14	27.5	-	0.8	42	105	7	55	23.2	5.3	HCDB/1M2504*B210C000
3	32	30	16	27.5	-	1.0	42	126	7	50	19.1	6.4	HCDB/1M3004*B220C000
4	32	33	18	27.5	-	1.0	42	168	7	55	15.1	7.4	HCDB/1M4004*B220C000
5	32	37	22	27.5	-	1.0	42	210	7	55	12.7	9.3	HCDB/1M5004*B220C000
6	32	37	22	27.5	-	1.0	42	252	7	55	11.1	10.0	HCDB/1M6004*B220C000
6.5	42	33	18	37.5	-	1.0	30	195	10	85	17.8	7.6	HCDB/1M6504*F220C000
7	42	40	20	37.5	-	1.0	30	210	10	85	16.7	8.2	HCDB/1M7004*F220C000
7	42	40	20	37.5	-	1.0	30	210	10	85	16.7	8.2	HCDB/1M7004*F220C000
7	42	40	20	37.5	10.2	1.0	30	210	9	80	15.3	8.6	HCDB/1M7004*F420C000
8	42	40	20	37.5	-	1.2	30	240	10	85	14.4	8.9	HCDB/1M8004*F230C000
8	42	40	20	37.5	10.2	1.0	30	240	9	80	13.6	9.2	HCDB/1M8004*F420C000
9	42	40	20	37.5	-	1.2	30	270	10	85	13.1	9.2	HCDB/1M9004*F230C000
9	42	40	20	37.5	10.2	1.0	30	270	9	80	12.2	9.5	HCDB/1M9004*F420C000
10	42	44	24	37.5	-	1.2	30	300	10	85	12.1	10.7	HCDB/1M1005*F230C000
10	42	44	24	37.5	10.2	1.0	30	300	9	85	11.2	11.1	HCDB/1M1005*F420C000

备注: (1) “*”表示产品的容量偏差, J=±5%, K=±10%。

产品尺寸

UN,85°C=1100Vd.c.; UN,105°C=770Vd.c.													
CN (μF)	W±1 (mm)	H±1 (mm)	B±1 (mm)	P (mm)	P1 (mm)	d±0.05 (mm)	dv/dt (V/μs)	Ī (A)	tanδ(×10 ⁻⁴)		ESR@10kHz (mΩ)	I _{max} (A)	产品订货标记
									1kHz	10kHz			
12	42	44	24	37.5	-	1.2	30	360	10	85	10.5	11.5	HCDB/1M1205*F230C000
12	42	44	24	37.5	10.2	1.0	30	360	9	85	9.6	12.1	HCDB/1M1205*F420C000
15	42	45	30	37.5	20.3	1.0	30	450	10	85	8.0	13.9	HCDB/1M1505*F420C000
18	42	46	35	37.5	20.3	1.0	30	540	10	90	6.9	15.1	HCDB/1M1805*F420C000
20	42	50	35	37.5	20.3	1.2	30	600	10	85	6.2	17.9	HCDB/1M2005*F430C000
25	42	55	40	37.5	20.3	1.2	30	750	10	90	5.3	21.7	HCDB/1M2505*F430C000
28	42	55	40	37.5	20.3	1.2	30	840	10	90	4.9	22.8	HCDB/1M2805*F430C000
30	42	60	45	37.5	20.3	1.2	30	900	10	90	4.7	23.5	HCDB/1M3005*F430C000
35	42	60	45	37.5	20.3	1.2	30	1050	10	95	4.2	25.1	HCDB/1M3505*F430C000
25	57.5	45	30	52.5	20.3	1.2	20	500	15	145	9.3	14.2	HCDB/1M2505*M430C000
30	57.5	50	35	52.5	20.3	1.2	20	600	15	150	8.0	17.0	HCDB/1M3005*M430C000
35	57.5	55	45	52.5	20.3	1.2	20	700	15	150	7.1	20.4	HCDB/1M3505*M430C000
40	57.5	55	45	52.5	20.3	1.2	20	800	15	155	6.4	21.7	HCDB/1M4005*M430C000
45	57.5	55	45	52.5	20.3	1.2	20	900	15	155	5.8	22.9	HCDB/1M4505*M430C000
50	57.5	65	45	52.5	20.3	1.2	20	1000	15	160	5.4	25.7	HCDB/1M5005*M430C000
55	57.5	65	45	52.5	20.3	1.2	20	1100	15	160	5.0	26.8	HCDB/1M5505*M430C000
UN,85°C=1200Vd.c.; UN,105°C=850Vd.c.													
CN (μF)	W±1 (mm)	H±1 (mm)	B±1 (mm)	P (mm)	P1 (mm)	d±0.05 (mm)	dv/dt (V/μs)	Ī (A)	tanδ(×10 ⁻⁴)		ESR@10kHz (mΩ)	I _{max} (A)	产品订货标记
									1kHz	10kHz			
1	32	20	11	27.5	-	0.8	48	48	7	50	48.9	3.3	HCDB/3L1004*B210C000
1.5	32	25	13	27.5	-	0.8	48	72	7	50	33.7	4.3	HCDB/3L1504*B210C000
2	32	28	14	27.5	-	0.8	48	96	7	50	26.3	5.0	HCDB/3L2004*B210C000
3	32	33	18	27.5	-	1.0	48	144	7	50	18.0	6.8	HCDB/3L3004*B220C000
3.5	32	33	18	27.5	-	1.0	48	168	7	50	15.8	7.3	HCDB/3L3504*B220C000
4	32	37	22	27.5	-	1.0	48	192	7	50	14.3	8.7	HCDB/3L4004*B220C000
5	32	37	22	27.5	-	1.0	48	240	7	55	12.0	9.6	HCDB/3L5004*B220C000
5	42	33	18	37.5	-	1.0	32	160	9	80	20.7	7.0	HCDB/3L5004*F220C000
6	42	40	20	37.5	-	1.0	32	192	9	80	17.8	8.0	HCDB/3L6004*F220C000
6	42	40	20	37.5	10.2	1.0	32	192	9	75	16.4	8.3	HCDB/3L6004*F420C000
7	42	40	20	37.5	-	1.0	32	224	9	80	15.6	8.5	HCDB/3L7004*F220C000

备注: (1) "**"表示产品的容量偏差, J=±5%, K=±10%。

产品尺寸

U _{N,85°C} =1200Vd.c.; U _{N,105°C} =850Vd.c.													
C _N (μF)	W±1 (mm)	H±1 (mm)	B±1 (mm)	P (mm)	P1 (mm)	d±0.05 (mm)	dv/dt (V/μs)	Î (A)	tanδ(×10 ⁻⁴)		ESR@10kHz (mΩ)	I _{max} (A)	产品订货标记
									1kHz	10kHz			
7	42	40	20	37.5	10.2	1.0	32	224	9	75	14.2	9.0	HCDB/3L7004*F420C000
8	42	44	24	37.5	-	1.0	32	256	10	80	14.0	9.8	HCDB/3L8004*F220C000
8	42	44	24	37.5	10.2	1.0	32	256	9	75	12.6	10.4	HCDB/3L8004*F420C000
9	42	44	24	37.5	-	1.2	32	288	9	80	12.3	10.6	HCDB/3L9004*F230C000
9	42	44	24	37.5	10.2	1.0	32	288	9	80	11.4	11.0	HCDB/3L9004*F420C000
10	42	44	24	37.5	-	1.2	32	320	9	80	11.3	11.1	HCDB/3L1005*F230C000
10	42	44	24	37.5	10.2	1.0	32	320	9	80	10.4	11.6	HCDB/3L1005*F420C000
10	42	37	28	37.5	-	1.2	32	320	9	80	11.2	10.8	HCDB/3L1005*F230C000
10	42	37	28	37.5	10.2	1.0	32	320	9	80	10.4	11.3	HCDB/3L1005*F420C000
12	42	45	30	37.5	10.2	1.0	32	384	9	80	9.0	13.0	HCDB/3L1205*F420C000
15	42	46	35	37.5	20.3	1.0	32	480	9	80	7.5	14.4	HCDB/3L1505*F420C000
18	42	50	35	37.5	20.3	1.0	32	576	9	85	6.5	17.5	HCDB/3L1805*F420C000
20	42	55	40	37.5	20.3	1.2	32	640	9	80	5.9	20.3	HCDB/3L2005*F430C000
25	42	60	45	37.5	20.3	1.2	32	800	9	85	5.0	22.5	HCDB/3L2505*F430C000
28	42	60	45	37.5	20.3	1.2	32	896	9	85	4.6	23.6	HCDB/3L2805*F430C000
20	57.5	45	30	52.5	20.3	1.2	22	440	14	135	10.5	13.3	HCDB/3L2005*M430C000
25	57.5	50	35	52.5	20.3	1.2	22	550	14	135	8.7	16.2	HCDB/3L2505*M430C000
30	57.5	55	45	52.5	20.3	1.2	22	660	14	140	7.5	19.7	HCDB/3L3005*M430C000
35	57.5	55	45	52.5	20.3	1.2	22	770	14	140	6.6	21.2	HCDB/3L3505*M430C000
40	57.5	65	45	52.5	20.3	1.2	22	880	14	145	6.0	24.1	HCDB/3L4005*M430C000
45	57.5	65	45	52.5	20.3	1.2	22	990	14	145	5.5	25.5	HCDB/3L4505*M430C000

备注: (1) “*”表示产品的容量偏差, J=±5%, K=±10%。

产品尺寸

UN,85°C=1300Vd.c.; UN,105°C=910Vd.c.													
CN (μF)	W±1 (mm)	H±1 (mm)	B±1 (mm)	P (mm)	P1 (mm)	d±0.05 (mm)	dv/dt (V/μs)	î (A)	tanδ(×10 ⁻⁴)		ESR@10kHz (mΩ)	I _{max} (A)	产品订货标记
									1kHz	10kHz			
0.6	32	20	11	27.5	-	0.8	56	33.6	6	45	69.9	2.7	HCDB/2M6003*B210C000
1.5	32	28	14	27.5	-	0.8	56	84	7	45	30.1	4.7	HCDB/2M1504*B210C000
2.5	32	33	18	27.5	-	1.0	56	140	7	45	18.7	6.6	HCDB/2M2504*B220C000
3.5	32	37	22	27.5	-	1.0	56	196	7	50	14.3	8.7	HCDB/2M3504*B220C000
4	42	33	18	37.5	-	1.0	38	152	9	70	22.2	6.7	HCDB/2M4004*F220C000
4.5	42	40	20	37.5	-	1.0	38	171	9	70	20.1	7.5	HCDB/2M4504*F220C000
4.5	42	40	20	37.5	10.2	1.0	38	171	8	70	18.7	7.8	HCDB/2M4504*F420C000
5	42	40	20	37.5	-	1.0	38	190	9	70	18.3	7.8	HCDB/2M5004*F220C000
5	42	40	20	37.5	10.2	1.0	38	190	8	70	16.9	8.2	HCDB/2M5004*F420C000
6	42	44	24	37.5	-	1.0	38	228	9	70	15.0	9.5	HCDB/2M6004*F220C000
6	42	44	24	37.5	10.2	1.0	38	228	8	70	14.2	9.8	HCDB/2M6004*F420C000
7	42	44	24	37.5	-	1.2	38	266	9	70	13.5	10.1	HCDB/2M7004*F230C000
7	42	44	24	37.5	10.2	1.0	38	266	8	70	12.6	10.5	HCDB/2M7004*F420C000
8	42	45	30	37.5	10.2	1.0	38	304	8	70	11.2	11.5	HCDB/2M8004*F420C000
9	42	45	30	37.5	20.3	1.0	38	342	8	70	10.1	12.2	HCDB/2M9004*F420C000
10	42	50	35	37.5	20.3	1.0	38	380	8	70	9.3	14.3	HCDB/2M1005*F420C000
11	42	50	35	37.5	20.3	1.0	38	418	8	75	8.6	14.9	HCDB/2M1105*F420C000
12	42	50	35	37.5	20.3	1.0	38	456	9	75	8.0	15.5	HCDB/2M1205*F420C000
13	42	50	35	37.5	20.3	1.0	38	494	9	75	7.5	16.1	HCDB/2M1305*F420C000
14	42	55	40	37.5	20.3	1.2	38	532	8	75	7.0	18.4	HCDB/2M1405*F430C000
15	42	55	40	37.5	20.3	1.2	38	570	8	75	6.6	19.0	HCDB/2M1505*F430C000
16	42	55	40	37.5	20.3	1.2	38	608	9	75	6.3	19.6	HCDB/2M1605*F430C000
17	42	55	40	37.5	20.3	1.2	38	646	9	75	6.0	20.2	HCDB/2M1705*F430C000
18	57.5	50	35	52.5	20.3	1.2	26	468	12	120	10.2	14.9	HCDB/2M1805*M430C000
20	57.5	50	35	52.5	20.3	1.2	26	520	13	120	9.3	15.6	HCDB/2M2005*M430C000
25	57.5	55	45	52.5	20.3	1.2	26	650	13	125	7.7	19.4	HCDB/2M2505*M430C000
28	57.5	55	45	52.5	20.3	1.2	26	728	13	125	7.0	20.5	HCDB/2M2805*M430C000
30	57.5	65	45	52.5	20.3	1.2	26	780	13	125	6.6	22.6	HCDB/2M3005*M430C000
35	57.5	65	45	52.5	20.3	1.2	26	910	13	125	5.9	24.3	HCDB/2M3505*M430C000

备注: (1) “*”表示产品的容量偏差, J=±5%, K=±10%。

产品尺寸

UN,85°C=1400Vd.c.; UN,105°C=980Vd.c.													
CN (μF)	W±1 (mm)	H±1 (mm)	B±1 (mm)	P (mm)	P1 (mm)	d±0.05 (mm)	dv/dt (V/μs)	Î (A)	tanδ(×10 ⁻⁴)		ESR@10kHz (mΩ)	I _{max} (A)	产品订货标记
									1kHz	10kHz			
0.8	32	22	13	27.5	-	0.8	60	48	6	45	50.3	3.4	HCDB/3M8003*B210C000
1.2	32	28	14	27.5	-	0.8	60	72	6	45	34.9	4.3	HCDB/3M1204*B210C000
1.5	32	30	16	27.5	-	0.8	60	90	6	45	28.5	5.2	HCDB/3M1504*B210C000
2	32	33	18	27.5	-	1.0	60	120	6	45	21.6	6.1	HCDB/3M2004*B220C000
2.2	32	33	18	27.5	-	1.0	60	132	6	45	19.9	6.4	HCDB/3M2204*B220C000
3	32	37	22	27.5	-	1.0	60	180	6	45	15.4	8.4	HCDB/3M3004*B220C000
3.3	32	37	22	27.5	-	1.0	60	198	7	45	14.3	8.7	HCDB/3M3304*B220C000
4	42	40	20	37.5	-	1.0	40	160	8	65	21.0	7.3	HCDB/3M4004*F220C000
4	42	40	20	37.5	10.2	1.0	40	160	8	65	19.6	7.6	HCDB/3M4004*F420C000
4.5	42	40	20	37.5	-	1.0	40	180	8	70	19.0	7.7	HCDB/3M4504*F220C000
4.5	42	40	20	37.5	10.2	1.0	40	180	8	65	17.6	8.0	HCDB/3M4504*F420C000
5	42	44	24	37.5	-	1.2	40	200	8	65	16.9	8.9	HCDB/3M5004*F230C000
5	42	44	24	37.5	10.2	1.0	40	200	8	65	16.0	9.2	HCDB/3M5004*F420C000
5.5	42	44	24	37.5	-	1.2	40	220	8	65	15.6	9.3	HCDB/3M5504*F230C000
5.5	42	44	24	37.5	10.2	1.0	40	220	8	65	14.7	9.6	HCDB/3M5504*F420C000
6	42	44	24	37.5	-	1.2	40	240	8	70	14.5	9.7	HCDB/3M6004*F230C000
6	42	44	24	37.5	10.2	1.0	40	240	8	65	13.6	10.0	HCDB/3M6004*F420C000
7	42	45	30	37.5	10.2	1.0	40	280	8	65	11.9	11.1	HCDB/3M7004*F420C000
7.5	42	45	30	37.5	10.2	1.0	40	300	8	65	11.2	11.5	HCDB/3M7504*F420C000
8	42	45	30	37.5	10.2	1.0	40	320	8	70	10.6	11.9	HCDB/3M8004*F420C000
8.5	42	45	30	37.5	20.3	1.0	40	340	8	70	10.0	12.2	HCDB/3M8504*F420C000
9	42	46	35	37.5	20.3	1.0	40	360	8	70	9.6	12.5	HCDB/3M9004*F420C000
10	42	46	35	37.5	20.3	1.0	40	400	8	70	8.8	13.1	HCDB/3M1005*F420C000
11	42	50	35	37.5	20.3	1.0	40	440	8	70	8.2	15.4	HCDB/3M1105*F420C000
12	42	55	40	37.5	20.3	1.2	40	480	8	70	7.4	17.7	HCDB/3M1205*F430C000
15	42	60	45	37.5	20.3	1.2	40	600	8	70	6.2	19.7	HCDB/3M1505*F430C000
16	42	60	45	37.5	20.3	1.2	40	640	8	70	5.9	20.3	HCDB/3M1605*F430C000
18	42	60	45	37.5	20.3	1.2	40	720	8	70	5.4	21.4	HCDB/3M1805*F430C000
12	57.5	45	30	52.5	20.3	1.2	28	336	12	110	13.7	11.5	HCDB/3M1205*M430C000
16	57.5	50	35	52.5	20.3	1.2	28	448	12	115	10.6	14.5	HCDB/3M1605*M430C000

备注: (1) “*”表示产品的容量偏差, J=±5%, K=±10%。

产品尺寸

UN,85°C=1400Vd.c.; UN,105°C=980Vd.c.													
CN (μF)	W±1 (mm)	H±1 (mm)	B±1 (mm)	P (mm)	P1 (mm)	d±0.05 (mm)	dv/dt (V/μs)	Ī (A)	tanδ(×10 ⁻⁴)		ESR@10kHz (mΩ)	I _{max} (A)	产品订货标记
									1kHz	10kHz			
20	57.5	55	45	52.5	20.3	1.2	28	560	12	115	8.8	18.1	HCDB/3M2005*M430C000
25	57.5	55	45	52.5	20.3	1.2	28	700	12	115	7.3	20.1	HCDB/3M2505*M430C000
30	57.5	65	45	52.5	20.3	1.2	28	840	12	120	6.3	23.3	HCDB/3M3005*M430C000
UN,85°C=1500Vd.c.; UN,105°C=1050Vd.c.													
CN (μF)	W±1 (mm)	H±1 (mm)	B±1 (mm)	P (mm)	P1 (mm)	d±0.05 (mm)	dv/dt (V/μs)	Ī (A)	tanδ(×10 ⁻⁴)		ESR@10kHz (mΩ)	I _{max} (A)	产品订货标记
									1kHz	10kHz			
0.8	32	22	13	27.5	-	0.8	62	49.6	6	45	47.8	3.5	HCDB/4M8003*B210C000
1	32	28	14	27.5	-	0.8	62	62	6	45	39.0	4.1	HCDB/4M1004*B210C000
1.5	32	33	18	27.5	-	0.8	62	93	6	45	27.5	5.4	HCDB/4M1504*B210C000
2	32	33	18	27.5	-	1.0	62	124	6	45	20.6	6.3	HCDB/4M2004*B220C000
2.5	32	37	22	27.5	-	1.0	62	155	6	45	17.1	7.9	HCDB/4M2504*B220C000
3	42	33	18	37.5	-	1.0	42	126	8	65	25.7	6.3	HCDB/4M3004*F220C000
4	42	40	20	37.5	-	1.0	42	168	8	65	20.0	7.5	HCDB/4M4004*F220C000
4	42	40	20	37.5	10.2	1.0	42	168	8	65	18.5	7.8	HCDB/4M4004*F420C000
5	42	44	24	37.5	10.2	1.2	42	210	8	65	15.0	9.5	HCDB/4M5004*F430C000
5	42	44	24	37.5	10.2	1.0	42	210	8	65	15.2	9.5	HCDB/4M5004*F420C000
5.5	42	44	24	37.5	-	1.2	42	231	8	65	14.8	9.6	HCDB/4M5504*F230C000
5.5	42	44	24	37.5	10.2	1.0	42	231	8	65	13.9	9.9	HCDB/4M5504*F420C000
5.5	42	37	28	37.5	-	1.2	42	231	8	65	14.7	9.3	HCDB/4M5504*F230C000
5.5	42	37	28	37.5	10.2	1.0	42	231	8	65	13.9	9.6	HCDB/4M5504*F420C000
6	42	45	30	37.5	10.2	1.0	42	252	8	65	12.9	10.7	HCDB/4M6004*F420C000
6.5	42	45	30	37.5	20.3	1.0	42	273	8	65	12.0	11.1	HCDB/4M6504*F420C000
7	42	45	30	37.5	20.3	1.0	42	294	8	65	11.3	11.5	HCDB/4M7004*F420C000
7.5	42	45	30	37.5	20.3	1.0	42	315	8	65	10.6	11.8	HCDB/4M7504*F420C000
8	42	46	35	37.5	20.3	1.2	42	336	8	65	9.9	12.3	HCDB/4M8004*F430C000
8.5	42	46	35	37.5	20.3	1.2	42	357	8	65	9.4	12.7	HCDB/4M8504*F430C000
9	42	55	40	37.5	20.3	1.2	42	378	8	65	9.0	15.9	HCDB/4M9004*F430C000
10	42	55	40	37.5	20.3	1.2	42	420	8	65	8.3	16.7	HCDB/4M1005*F430C000
12	42	55	40	37.5	20.3	1.2	42	504	8	65	7.1	18.2	HCDB/4M1205*F430C000
15	42	60	45	37.5	20.3	1.2	42	630	8	70	6.0	20.1	HCDB/4M1505*F430C000

备注: (1) “*”表示产品的容量偏差, J=±5%, K=±10%。

产品尺寸

U _{N,85°C} =1500Vd.c.; U _{N,105°C} =1050Vd.c.													
C _N (μF)	W±1 (mm)	H±1 (mm)	B±1 (mm)	P (mm)	P1 (mm)	d±0.05 (mm)	dv/dt (V/μs)	Ī (A)	tanδ(×10 ⁻⁴)		ESR@10kHz (mΩ)	I _{max} (A)	产品订货标记
									1kHz	10kHz			
10	57.5	45	30	52.5	20.3	1.2	30	300	11	105	15.2	10.9	HCDB/4M1005*M430C000
11	57.5	45	30	52.5	20.3	1.2	30	330	11	105	14.0	11.4	HCDB/4M1105*M430C000
12	57.5	50	35	52.5	20.3	1.2	30	360	11	105	12.9	13.0	HCDB/4M1205*M430C000
15	57.5	50	35	52.5	20.3	1.2	30	450	11	105	10.6	14.5	HCDB/4M1505*M430C000
18	57.5	55	45	52.5	20.3	1.2	30	540	12	110	9.1	17.7	HCDB/4M1805*M430C000
20	57.5	55	45	52.5	20.3	1.2	30	600	12	110	8.3	18.6	HCDB/4M2005*M430C000
25	57.5	65	45	52.5	20.3	1.2	30	750	12	110	6.9	22.1	HCDB/4M2505*M430C000

备注: (1) “*”表示产品的容量偏差, J=±5%, K=±10%。

X-ON Electronics

Largest Supplier of Electrical and Electronic Components

Click to view similar products for [Film Capacitors](#) category:

Click to view products by [Hongfa](#) manufacturer:

Other Similar products are found below :

[703-6G](#) [82DC4100CK60J](#) [82EC1100DQ50K](#) [MMWAF150KME](#) [PCY2130F30153](#) [QXJ2E474KTPT](#) [QXL2B333KTPT](#) [QXM2G104K](#)
[DPM16S56K-1F](#) [EEC2G505HQA406](#) [B32234-.033@250V-K](#) [B81133-C1104-M3](#) [MTC355L1](#) [217-0716-001](#) [PA225L30](#) [CB182K0184J--](#)
[KP1830-247/061-G](#) [274ACF4400WA0J](#) [274ACF5150WA0J](#) [SCD105K122A3-22](#) [SCD205K122A3-24](#) [PCX2339F65224](#) [PCX2339F65334](#)
[2222 368 55105](#) [2222 370 21683](#) [QXL2E473KTPT](#) [445450-1](#) [MKT182022263473](#) [46KN410000N1K](#) [46KR368050M1M](#) [ECQ-W4223KZ](#)
[EEC2G805HQA415](#) [PA103L30](#) [82DC4100AA60K](#) [82EC2150DQ50K](#) [VEA105K50](#) [82IC2150DQ50J](#) [82EC2220DQ50J](#) [MTC55L4](#)
[MTC56L4](#) [PA104L30](#) [PA224L30](#) [82DC3220AA60J](#) [82EC4100DQ70J](#) [WYP-104M](#) [82CC4220AA70J](#) [82EC3100Z370J](#) [B32656S8105K566](#)
[EEC2G105HQA401](#) [QXL2B223KTPT](#)