

# HFD3-V

# SUBMINIATURE SIGNAL RELAY



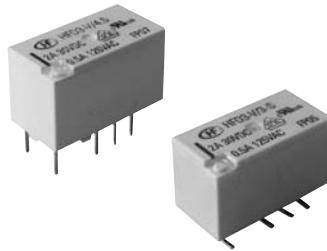
File No.: E133481



File No.: 40018867



File No.: CQC14002107409



## Features

- 3kV dielectric strength (between coil and contacts)
- Surge withstand voltage up to 6000VAC, meets FCC Part 68 and Telecordia
- Min. creepage is 2.5mm (between coil and contact), Min. clearance is 2.0mm (between coil and contact)
- Meets EN60950 / EN41003
- SMT and DIP types available
- Bifurcated contacts
- Single side stable and latching types available
- Environmental friendly product (RoHS compliant)
- Outline Dimensions: (15.0 x 7.5 x 9.2) mm

## CONTACT DATA

Contact arrangement	2C
Contact resistance	100mΩ max. (at 10mA 30mVDC)
Contact material	AgPd + Au plated, AgNi + Au plated
Contact rating (Res. load)	2A 30VDC 0.5A 125VAC
Max. switching current	4A
Max. switching voltage	277VAC / 220VDC
Max. switching power	62.5VA / 60W
Min. applicable load	10mV 10μA <sup>1)</sup>
Mechanical endurance	1 x 10 <sup>7</sup> OPS
Electrical endurance <sup>2)</sup>	1 x 10 <sup>5</sup> OPS (0.5A 125VAC, Resistive load, AgNi + Au plated, at 85°C, 1s on 9s off)

**Notes:** 1) Min. applicable load is reference value. Please perform the confirmation test with the actual load before production since reference value may change according to switching frequencies, environmental conditions and expected contact resistance and reliability.  
2) Electric endurance data are collected in one pair CO contact test.

## SAFETY APPROVAL RATINGS

UL/CUL	AgNi + Au plated	2A 30VDC at 85°C 0.5A 125VAC at 85°C
	AgPd + Au plated	0.5A 125VAC at 70°C
VDE	AgNi + Au plated	2A 30VDC at 85°C 0.5A 125VAC at 85°C

**Notes:** 1) All values unspecified are at room temperature.  
2) Only typical loads are listed above. Other load specifications can be available upon request.

## CHARACTERISTICS

Insulation resistance		1000MΩ (at 500VDC)
Dielectric strength	Between coil & contacts	3000VAC 1min
	Between open contacts	1500VAC 1min
	Between contact sets	1500VAC 1min
Surge withstand voltage		
Between open contacts(10/160μs)		2.5kV
Between coil & contacts(1.2/50μs)		6kV
Operate time (Set time)		6ms max.
Release time (Reset time)		6ms max.
Ambient temperature		-40°C to 85°C
Humidity		5% to 85% RH
Vibration resistance	Functional	10Hz to 55Hz 3.3mm DA
	Destructive	10Hz to 55Hz 5.0mm DA
Shock resistance	Functional	735m/s <sup>2</sup>
	Destructive	980m/s <sup>2</sup>
Termination		DIP, SMT
Unit weight		Approx. 2g
Moisture sensitivity levels (Only for SMT type, JEDEC-STD-020)		MSL-3
Construction		Plastic sealed

**Notes:** The data shown above are initial values.

## COIL

Coil power	Single side stable	200mW
	1 coil latching	140mW
Temperature rise	50K max.	



HONGFA RELAY

ISO9001, ISO/TS16949, ISO14001, OHSAS18001, IECQ QC 080000 CERTIFIED

2017 Rev. 1.30

## COIL DATA

at 23°C

### Single side stable

Coil Code	Nominal Voltage VDC	Pick-up Voltage VDC max.	Drop-out Voltage VDC min.	Coil Resistance $\Omega$	Nominal Power mW	Max. Voltage VDC
HFD3-V/1.5	1.5	1.13	0.15	11.2 x (1±10%)	200	2.2
HFD3-V/2.4	2.4	1.8	0.24	28.8 x (1±10%)	200	3.6
HFD3-V/3	3	2.25	0.3	45 x (1±10%)	200	4.5
HFD3-V/4.5	4.5	3.38	0.45	101 x (1±10%)	200	6.7
HFD3-V/5	5	3.75	0.5	125 x (1±10%)	200	7.5
HFD3-V/6	6	4.5	0.6	180 x (1±10%)	200	9
HFD3-V/9	9	6.75	0.9	405 x (1±10%)	200	13.5
HFD3-V/12	12	9	1.2	720 x (1±10%)	200	18
HFD3-V/24	24	18	2.4	2880 x (1±10%)	200	36

### 1 coil latching

Coil Code	Nominal Voltage VDC	Pick-up Voltage VDC max.	Drop-out Voltage VDC max.	Coil Resistance $\Omega$	Nominal Power mW	Max. Voltage VDC
HFD3-V/1.5-L1	1.5	1.13	1.13	16.1 x (1±10%)	140	2.7
HFD3-V/2.4-L1	2.4	1.8	1.8	41 x (1±10%)	140	4.3
HFD3-V/3-L1	3	2.25	2.25	64.3 x (1±10%)	140	5.4
HFD3-V/4.5-L1	4.5	3.38	3.38	145 x (1±10%)	140	8.1
HFD3-V/5-L1	5	3.75	3.75	178 x (1±10%)	140	9
HFD3-V/6-L1	6	4.5	4.5	257 x (1±10%)	140	10.8
HFD3-V/9-L1	9	6.75	6.75	579 x (1±10%)	140	16.2
HFD3-V/12-L1	12	9	9	1028 x (1±10%)	140	21.6
HFD3-V/24-L1	24	18	18	4114 x (1±10%)	140	43.2

Notes: 1) In case 5V of transistor drive circuit, it is recommended to use 4.5V type relay, and 3V to use 2.4V type relay.

## ORDERING INFORMATION

Type	HFD3-V / 24 -L1 4 S R (XXX)					
Coil voltage	1.5, 2.4, 3, 4.5, 5, 6, 9, 12, 24VDC					
Sort	L1: 1 coil latching		Nil: Single side stable			
Contact material	4: AgPd+Gold plated		Nil: AgNi+Gold plated			
Terminal type	S: Standard SMT		S1: Short terminal SMT		Nil: DIP	
Packing style	R: Tape and reel packing (Only for SMT type) <sup>1)</sup> Nil: Tube packing(Only for DIP type)					
Special code <sup>3)</sup>	XXX: Customer special requirement		Nil: Standard			

Notes: 1) R type (tape and reel) packing is moisture-proof which meets requirement of MSL-3. Please choose R type packing for SMT products. For R type, the letter "R" will only be printed on packing tag but not on relay cover. Tube packing is normally not available for SMT products unless specially requested by customer. But please note that tube packing is not moisture-proof so please bake the products before use according to description of Notice 11 herewith. In addition, tube packaging will be adopted when the ordering quantity of R type is equal to or less than 100 pieces unless otherwise specified.

2) The customer special requirement express as special code after evaluating by Hongfa. e.g.(131): The Dielectric strength between coil & contacts is 3000VAC 1min for single side stable and 1 coil latching version.

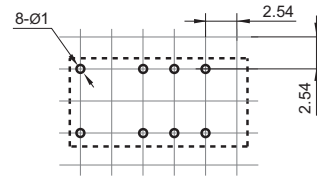
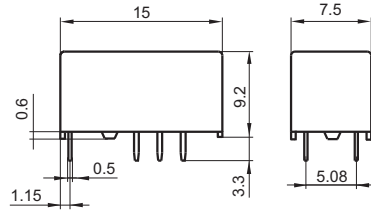
# OUTLINE DIMENSIONS, WIRING DIAGRAM AND PC BOARD LAYOUT

Unit: mm

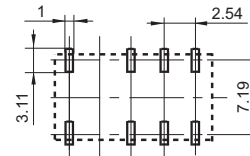
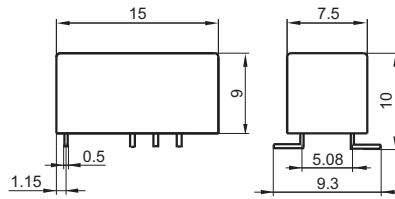
## Outline Dimensions

## PCB Layout (Bottom view)

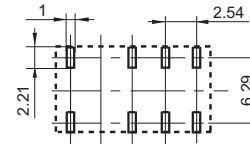
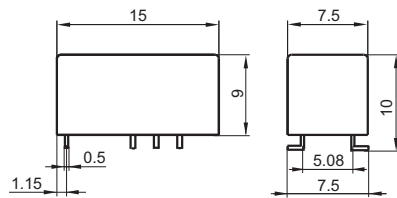
DIP type



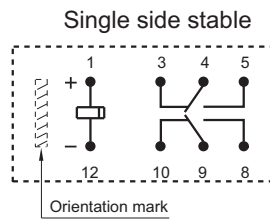
S type:  
Standard SMT



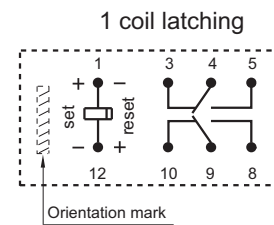
S1 type:  
Short terminal SMT



Wiring Diagram  
(Bottom view)

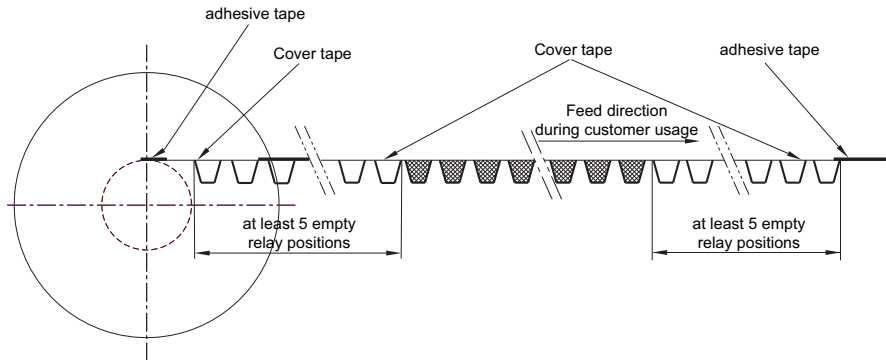
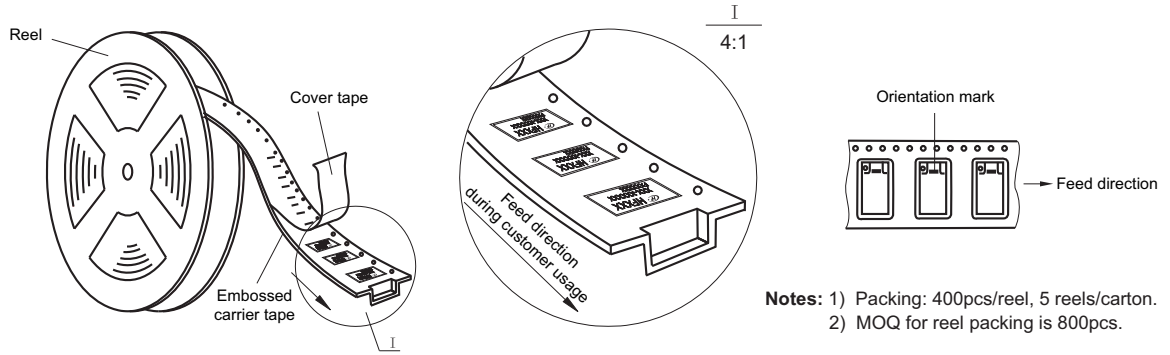


No energized condition

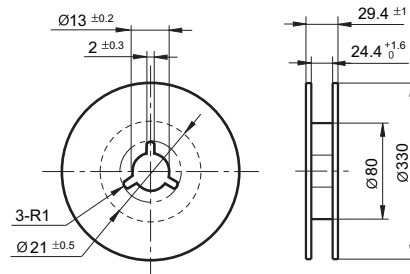


reset condition

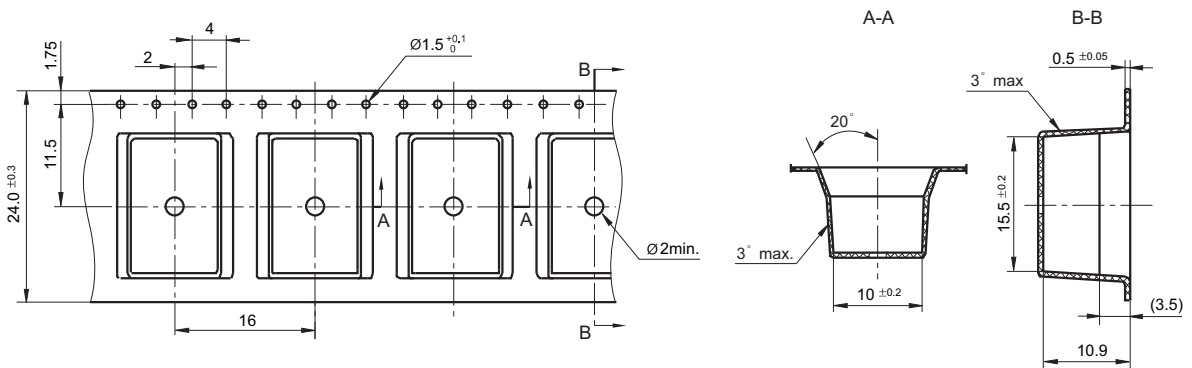
Direction of Relay Insertion



Reel Dimensions



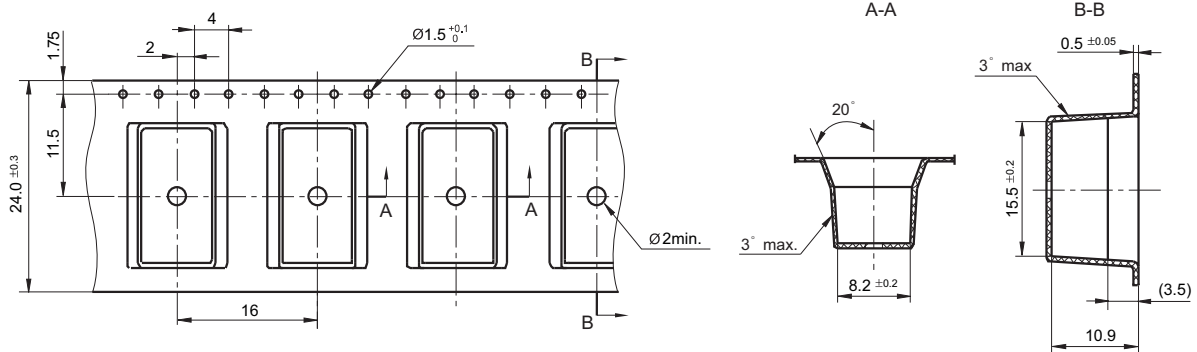
Tape Dimensions (S type: Standard SMT)



## TAPE PACKING

Unit: mm

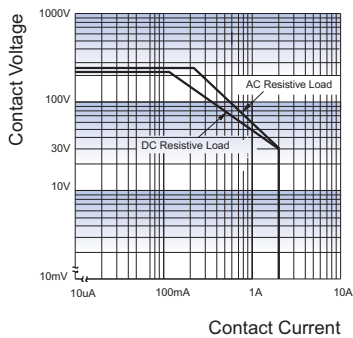
### Tape Dimensions (S1 type: Short terminal SMT)



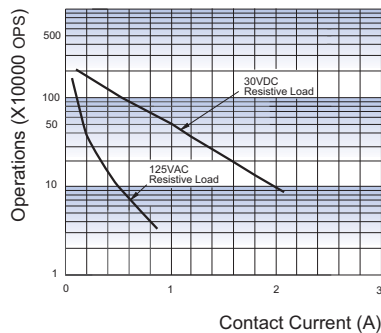
- Remark: 1) In case of no tolerance shown in outline dimension: outline dimension  $\leq 1$ mm, tolerance should be  $\pm 0.2$ mm; outline dimension  $> 1$ mm and  $\leq 5$ mm, tolerance should be  $\pm 0.3$ mm; outline dimension  $> 5$ mm, tolerance should be  $\pm 0.4$ mm.  
 2) The tolerance without indicating for PCB layout is always  $\pm 0.1$ mm.  
 3) The width of the gridding is 2.54mm.

## CHARACTERISTIC CURVES

### MAXIMUM SWITCHING POWER



### ENDURANCE CURVE

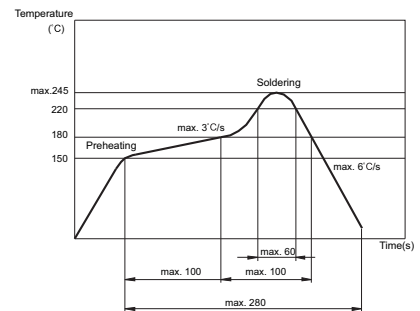


#### Test conditions:

Resistive load, at 85°C, 1s on 9s off.

### REFLOW WELDING TEMPERATURE ON PCB BOARD

#### RECOMMENDED WELDING TEMPERATURE



### Notice

- 1) This relay is highly sensitive polarized relay, if correct polarity is not applied to the coil terminals, the relay does not operate properly.
- 2) To avoid using relays under strong magnetic field which will change the parameters of relays such as pick-up voltage and drop-out voltage.
- 3) Relay is on the "reset" status when being released from stock, with the consideration of shock risen from transit and relay mounting, it should be changed to the "set" status when application(connecting to the power supply). Please reset the relay to "set" or "reset" status on request.
- 4) Energizing coil with rated voltage is basic for normal operation of a relay, please make sure the energized voltage to relay coil have reached the rated voltage. Regarding latching relay, in order to maintain the "set" or "reset" status, impulse width of the rated voltage applied to coil should be more than 5 times of "set" or "reset" time.
- 5) The relay may be damaged because of falling or when shocking conditions exceed the requirement.
- 6) For SMT products, validation with real application should be done before your series production, if the reflow-soldering temperature curve is out of our recommendation. Generally, two-time reflow-soldering is not recommended for the relay. However, if two-time reflow-soldering is required, a 60-min. interval should be guaranteed and a validation should be done before production.
- 7) Contact is recommended for suitable condition and specifications if water cleaning or surface process is involved in assembling relays on PCB.
- 8) Regarding the plastic sealed relay, we should leave it cooling naturally until below 40°C after welding, then clean it and deal with coating, remarkably the temperature of solvents should also be controlled below 40°C. Please avoid cleaning the relay by ultrasonic, avoid using the solvents like gasoline, Freon, and so on, which would affect the configuration of relay or influence the environment.
- 9) About preferable condition of operation, storage and transportation, please refer to "Explanation to terminology and guidelines of relay".
- 10) Relays packaged in moisture barrier bags meet MSL-3 requirements. The relays should be stored at ambient conditions of  $\leq 30^\circ\text{C}$  and  $\leq 60\%$  RH after they are removed from their packaging, and should be used within 168 hours. If the relays cannot be used within 168 hours, please repack them or store them in a drying oven at  $25^\circ\text{C} \pm 5^\circ\text{C}$ ,  $\leq 10\%$  RH. Otherwise, relays may be subjected to a soldering test to check their performance, or they may be used after keeping them in an oven for 72 hours at with  $50^\circ\text{C} \pm 5^\circ\text{C}$ ,  $\leq 30\%$  RH.

### Disclaimer

The specification is for reference only. See to "Terminology and Guidelines" for more information. Specifications subject to change without notice. We could not evaluate all the performance and all the parameters for every possible application. Thus the user should be in a right position to choose the suitable product for their own application. If there is any query, please contact Hongfa for the technical service. However, it is the user's responsibility to determine which product should be used only.

© Xiamen Hongfa Electroacoustic Co., Ltd. All rights of Hongfa are reserved.

## X-ON Electronics

Largest Supplier of Electrical and Electronic Components

*Click to view similar products for [General Purpose Relays](#) category:*

*Click to view products by [Hongfa](#) manufacturer:*

Other Similar products are found below :

[APF30318](#) [JVN1AF-4.5V-F](#) [PCN-105D3MHZ](#) [5JO-10000S-SIL](#) [5JO-1000CD-SIL](#) [5JO-400CD-SIL](#) [LY2S-AC220/240](#) [LYQ20DC12](#)  
[6031007G](#) [6131406HQ](#) [6-1393099-3](#) [6-1393099-8](#) [6-1393122-4](#) [6-1393123-2](#) [6-1393767-1](#) [6-1393843-7](#) [6-1415012-1](#) [6-1419102-2](#) [6-](#)  
[1423698-4](#) [6-1608051-6](#) [6-1608067-0](#) [6-1616170-6](#) [6-1616248-2](#) [6-1616282-3](#) [6-1616348-2](#) [6-1616350-1](#) [6-1616350-8](#) [6-1616358-7](#) [6-](#)  
[1616359-9](#) [6-1616360-9](#) [6-1616931-6](#) [6-1617039-1](#) [6-1617052-1](#) [6-1617090-2](#) [6-1617090-5](#) [6-1617347-5](#) [6-1617353-3](#) [6-1617801-8](#) [6-](#)  
[1617802-2](#) [6-1618107-9](#) [6-1618248-4](#) [M83536/1-027M](#) [CX-4014](#) [MAHC-5494](#) [MAVCD-5419-6](#) [703XCX-120A](#) [7-1393100-5](#) [7-1393111-7](#)  
[7-1393144-5](#) [7-1393767-8](#)