



SUBMINIATURE POWER RELAYS

Single-Pole , 10Amp , PC Board

JQC-3FF



- UL / CUR File No.E170653
- TUV Certificate No. R 2034012
- CQC CQC 03001002865
- SPST-NO & DPDT configuration
- Standard PC layout
- Sealed version available

■ **CONTACT DATA**

Arrangement	1 Form A	1 Form C	
Initial Contact Resistance Max. (at 1A 24VDC)	100m	100m	
Contact Material	Silver Alloy	Silver Alloy	
Contact Rating (Res. Load)	15A 125VAC	10A 277VAC/24VDC	
Max. switching voltage	250VAC/30VDC	250VAC/30VDC	
Max. switching current	15A		
Max. switching power	2770VA 240W	2770VA 240W	
UL/CUR rating	15A 125VAC 10A 277VAC 12A 120VAC TV-5 120VAC	10A 120VAC 10A 277VAC	
TUV rating	12A 125VAC	5A 250VAC	
Expected Life min. operations	Mechanical	1X10 ⁷ OPS	1X10 ⁷ OPS
	Electrical	1X10 ⁵ OPS	1X10 ⁵ OPS
COIL			
Nominal coil power	360mW	360mW	

■ **characteristics**

Initial Insulation Resistance	100 M 500VDC	
Dielectric Strength Between coil and Contacts	1500Vrms 1 minute	
Between open contacts	750Vrms 1 minute	
Surge Voltage between Contacts and coil	No	
Operate time (at nomi. Volt.)	10ms	
Release time (at nomi. Volt.)	5ms	
Temperature rise (at nominal voltage)	60	
Shock Resistance	Functional	98m/s ² (10g)
	Destructive	980m/s ² (100g)
Vibration Resistance	1.5mm 10 to 55Hz	
Humidity	35% to 85% RH	
Ambient temperature	-40 to 70	
Termination	PC	
Unit weight	10g	
Construction	Sealed & Unsealed	

Coil Specifications

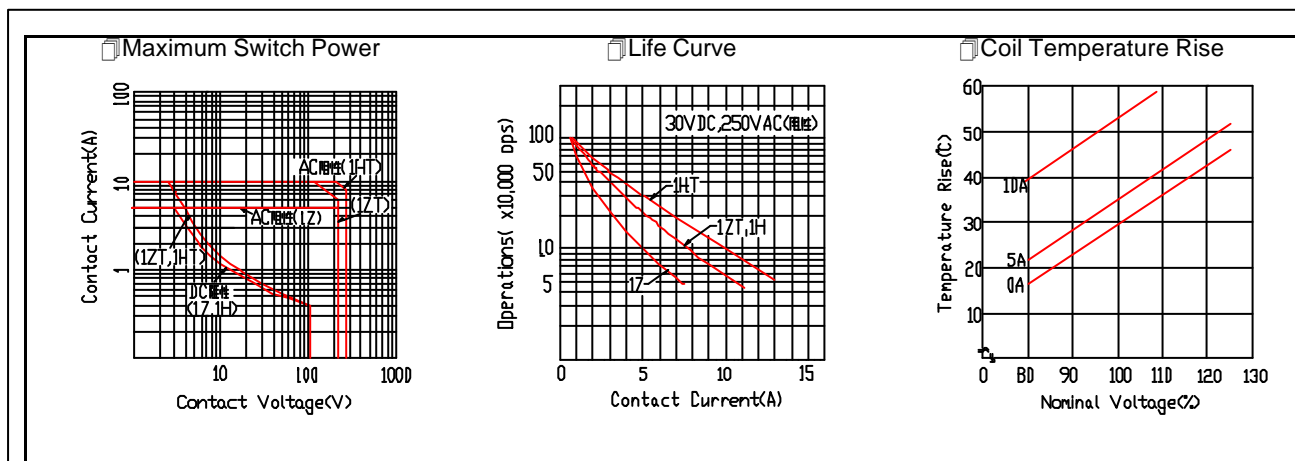
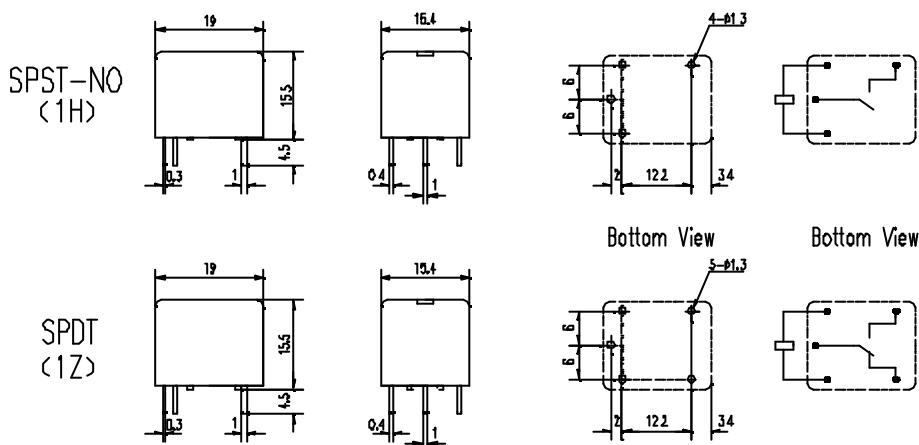
Nominal Voltage VDC	Pick-up Voltage VDC	Drop-out Voltage VDC	Max. allowable Voltage (at 20°C)	Coil Resistance Tolerance: ± 10%
5	3.8	0.5	6.0	70
6	4.5	0.6	7.2	100
9	6.8	0.9	10.8	225
12	9.0	1.2	14.4	400
18	13.5	1.8	21.6	900
24	18.0	2.4	28.8	1600
48	36.0	4.8	57.6	6400

ORDERING INFORMATION

JQC-3FF / OXX - 1Z S T

Basic Designation				
Coil Voltage: 3, 5, 6, 9, 12, 18, 24, 48				
Contact Arrangement: 1H: SPST-NO; 1Z: SPDT				
Enclosure: S-sealed (IP67) Nil-unsealed				
Contact material: T-AgSnO Nil-AgNi10				

OUTLINE DIMENSIONS , WIRING DIAGRAM AND PC BOARD LAYOUT



X-ON Electronics

Largest Supplier of Electrical and Electronic Components

Click to view similar products for [General Purpose Relays](#) category:

Click to view products by [Hongfa](#) manufacturer:

Other Similar products are found below :

[PCN-105D3MH,000](#) [59641F200](#) [5JO-1000CD-SIL](#) [5X827E](#) [5X837F](#) [5X840F](#) [5X842F](#) [5X848E](#) [LY2N-AC120](#) [LY2S-AC220/240](#) [LY2-US-AC120](#) [LY2-US-DC24](#) [LY3-US-AC120](#) [LY4F-UA-DC12](#) [LY4F-UA-DC24](#) [LY4F-US-AC120](#) [LY4F-US-AC240](#) [LY4F-US-DC24](#) [LY4F-VD-AC110](#) [LYQ20DC12](#) [M115C60](#) [M115N010](#) [M115N0150](#) [603-12D](#) [60HE1-5DC](#) [60HE2S-12DC](#) [61211T0B4](#) [61212T400](#) [61222Q400](#) [61243B600](#) [61243C500](#) [61243Q400](#) [61311BOA2](#) [61311BOA6](#) [61311BOA8](#) [61311C0A2](#) [61311COA1](#) [61311COA6](#) [61311F0A2](#) [61311QOA1](#) [61311QOA4](#) [61311T0D6](#) [61311TOA6](#) [61311TOA7](#) [61311TOB3](#) [61311TOB4](#) [61311U0A6](#) [61312Q600](#) [61312T400](#) [61312T600](#)