

UEB3-63系列 小型断路器概述

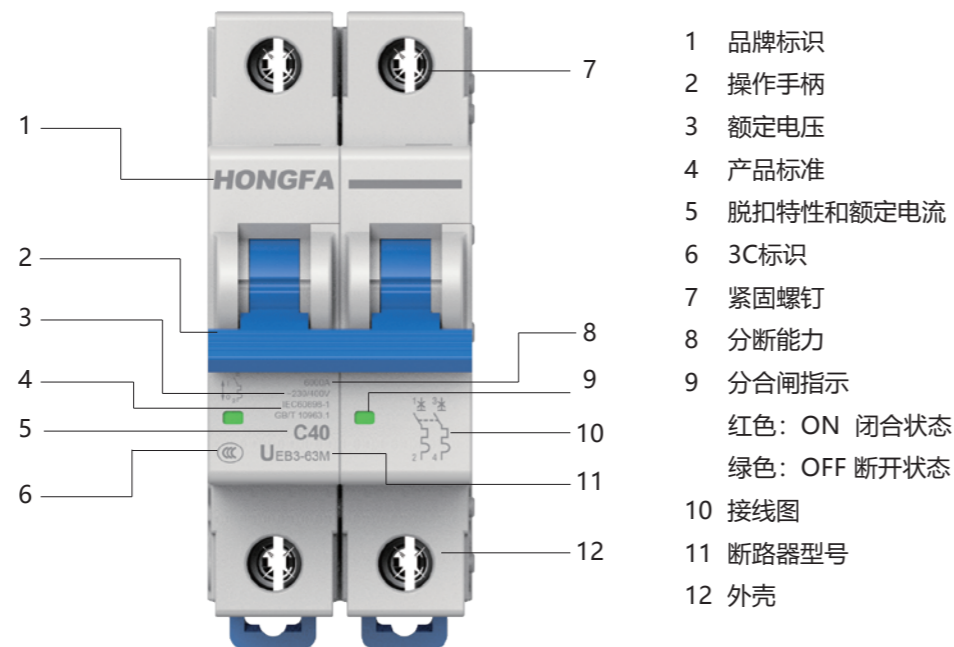
适用范围

UEB3-63系列断路器应用于交流50Hz/60Hz，额定工作电压230V/400V，额定工作电流至63A的线路中，具有过载保护、短路保护及隔离功能，并可用作不频繁通断开关使用。

产品特点

- 采用耐弧材料触点，分断能力高，电寿命更长
- 采用接线安全可靠的防触电结构
- 采用金属机构及机构热脱扣一体化设计，分断能力高、电气寿命长、过载动作准确
- 采用可任意组合、系列配套的模块化、模数化结构
- 双稳态安装卡扣设计，方便用户拆卸
- 优秀的限流表现，限流等级达到标准规定的3级限流

产品结构图



产品认证

| | | |
|--|-----|--------------|
| | CB | IEC 60898-1 |
| | CCC | GB/T 10963.1 |
| | VDE | EN 60898-1 |

正常工作环境及安装条件

- 工作温度范围：-30°C~+70°C
- 贮存温度范围：-40°C~+85°C
- 相对湿度：40°C时，相对湿度不超过50%；20°C时，相对湿度不超过90%
- 海拔：不超过2000m
- 污染等级：2级
- 安装类别：II/III级
- 安装条件：35mm标准导轨安装；安装面与垂直面的倾斜度不超过±5°
- 安装环境：无显著振动和冲击的场合

产品型号及含义

| | | | | | | | |
|--|---|---|------|---|----|----|----|
| UE | B | 3 | - 63 | M | /C | 06 | 1N |
| 企业代码：厦门宏发开关设备有限公司 | | | | | | | |
| 产品代码：小型断路器 | | | | | | | |
| 设计序号：3 | | | | | | | |
| 壳架等级：63A | | | | | | | |
| 分断能力：L：4500A M：6000A | | | | | | | |
| 瞬时脱扣特性：B：3I _n ~5I _n ；C：5I _n ~10I _n ；D：10I _n ~20I _n | | | | | | | |
| 额定电流：06A、10A、16A、20A、25A、32A、40A、50A、63A | | | | | | | |
| 极数：1：1P；1N：1P+N；2：2P；3：3P；3N：3P+N；4：4P | | | | | | | |

UEB3-63系列 小型断路器概述

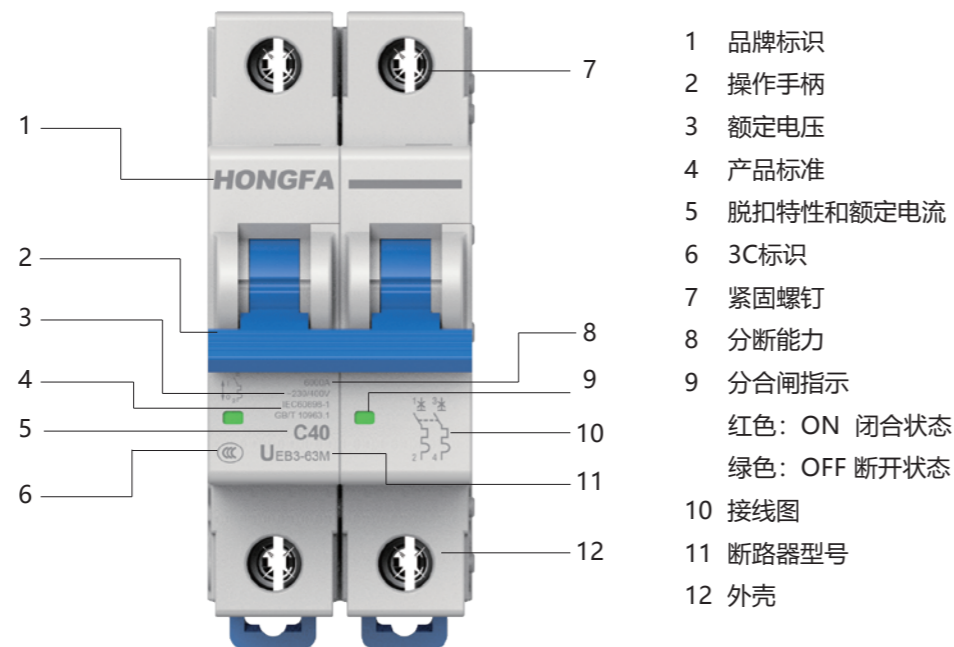
适用范围

UEB3-63系列断路器应用于交流50Hz/60Hz，额定工作电压230V/400V，额定工作电流至63A的线路中，具有过载保护、短路保护及隔离功能，并可用作不频繁通断开关使用。

产品特点

- 采用耐弧材料触点，分断能力高，电寿命更长
- 采用接线安全可靠的防触电结构
- 采用金属机构及机构热脱扣一体化设计，分断能力高、电气寿命长、过载动作准确
- 采用可任意组合、系列配套的模块化、模数化结构
- 双稳态安装卡扣设计，方便用户拆卸
- 优秀的限流表现，限流等级达到标准规定的3级限流

产品结构图



产品认证

| | | |
|--|-----|--------------|
| | CB | IEC 60898-1 |
| | CCC | GB/T 10963.1 |
| | VDE | EN 60898-1 |

正常工作环境及安装条件

- 工作温度范围：-30°C~+70°C
- 贮存温度范围：-40°C~+85°C
- 相对湿度：40°C时，相对湿度不超过50%；20°C时，相对湿度不超过90%
- 海拔：不超过2000m
- 污染等级：2级
- 安装类别：II/III级
- 安装条件：35mm标准导轨安装；安装面与垂直面的倾斜度不超过±5°
- 安装环境：无显著振动和冲击的场合

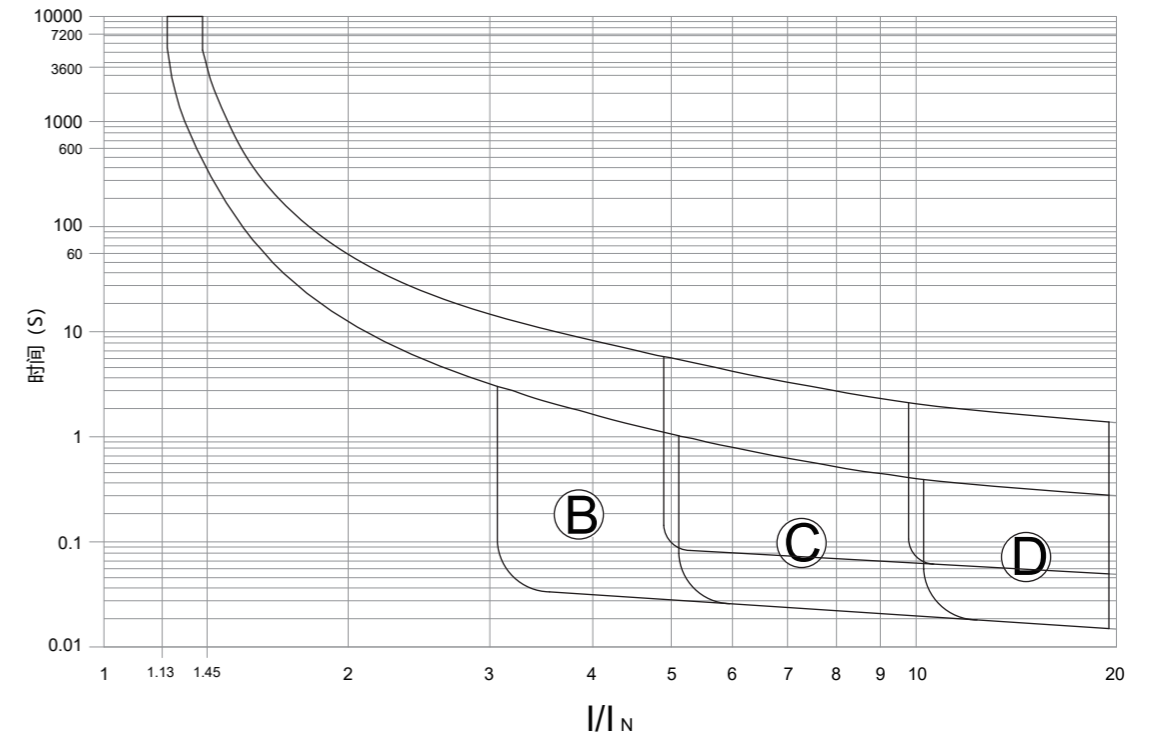
产品型号及含义

| | | | | | | | |
|---|---|---|------|---|----|----|----|
| UE | B | 3 | - 63 | M | /C | 06 | 1N |
| 企业代码: 厦门宏发开关设备有限公司 | | | | | | | |
| 产品代码: 小型断路器 | | | | | | | |
| 设计序号: 3 | | | | | | | |
| 壳架等级: 63A | | | | | | | |
| 分断能力: L: 4500A M: 6000A | | | | | | | |
| 瞬时脱扣特性: B: 3I _n ~ 5I _n ; C: 5I _n ~ 10I _n ; D: 10I _n ~ 20I _n | | | | | | | |
| 额定电流: 06A、10A、16A、20A、25A、32A、40A、50A、63A | | | | | | | |
| 极数: 1: 1P; 1N: 1P+N; 2: 2P; 3: 3P; 3N: 3P+N; 4: 4P | | | | | | | |

技术性能

| | | |
|--------------------|--|-------|
| 型号 | UEB3-63 | |
| 极数 | 1P, 1P+N, 2P, 3P, 3P+N, 4P | |
| 瞬时脱扣特性 | B: $3I_n \sim 5I_n$; C: $5I_n \sim 10I_n$; D: $10I_n \sim 20I_n$ | |
| 分断能力 | UEB3-63L: $I_{cn}=I_{cs}=4500A$ UEB3-63M: $I_{cn}=I_{cs}=6000A$ | |
| 额定电流 I_n | 06A, 10A, 16A, 20A, 25A, 32A, 40A, 50A, 63A | |
| 额定电压 U_e | AC230V/400V (1P); AC230V (1P+N); AC400V (2P/3P/3P+N/4P) | |
| 额定绝缘耐压 U_i | 500V | |
| 额定冲击耐受电压 U_{imp} | 4kV | |
| 工频耐压 | 2kV | |
| 机械寿命 | 20000 次 | |
| 电气寿命 | 10000 次 | |
| 防护等级 | IP20 | |
| 重量 (g) | 1P | 94.5 |
| | 1P+N | 208 |
| | 2P | 210.5 |
| | 3P | 281.5 |
| | 3P+N | 378.5 |
| | 4P | 420.5 |
| 产品包装信息 | 外包装箱 520mm×313mm×177mm | |
| 进线方式 | 上进线 | |

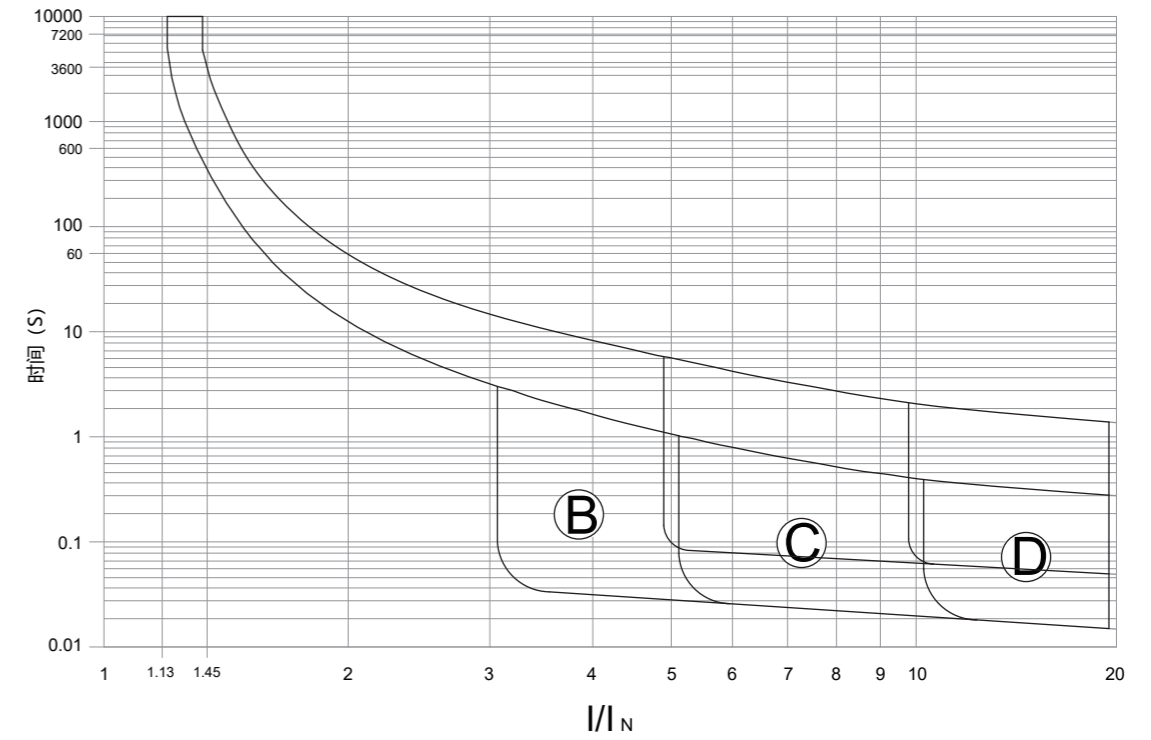
过载脱扣特性曲线



技术性能

| | | |
|--------------------|--|-------|
| 型号 | UEB3-63 | |
| 极数 | 1P, 1P+N, 2P, 3P, 3P+N, 4P | |
| 瞬时脱扣特性 | B: $3I_n \sim 5I_n$; C: $5I_n \sim 10I_n$; D: $10I_n \sim 20I_n$ | |
| 分断能力 | UEB3-63L: $I_{cn}=I_{cs}=4500A$ UEB3-63M: $I_{cn}=I_{cs}=6000A$ | |
| 额定电流 I_n | 06A, 10A, 16A, 20A, 25A, 32A, 40A, 50A, 63A | |
| 额定电压 U_e | AC230V/400V (1P); AC230V (1P+N); AC400V (2P/3P/3P+N/4P) | |
| 额定绝缘耐压 U_i | 500V | |
| 额定冲击耐受电压 U_{imp} | 4kV | |
| 工频耐压 | 2kV | |
| 机械寿命 | 20000 次 | |
| 电气寿命 | 10000 次 | |
| 防护等级 | IP20 | |
| 重量 (g) | 1P | 94.5 |
| | 1P+N | 208 |
| | 2P | 210.5 |
| | 3P | 281.5 |
| | 3P+N | 378.5 |
| | 4P | 420.5 |
| 产品包装信息 | 外包装箱 520mm×313mm×177mm | |
| 进线方式 | 上进线 | |

过载脱扣特性曲线

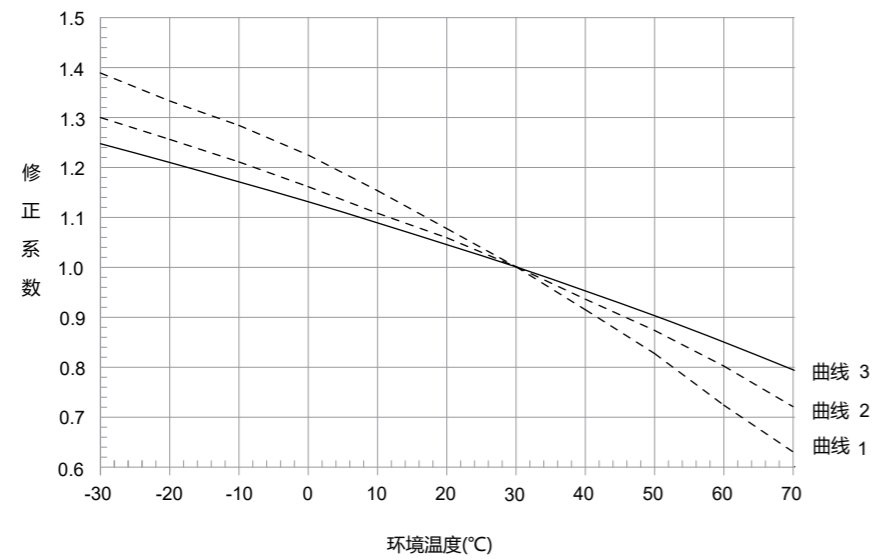


降容系数

温度补偿曲线

在不同温度情况下，过载脱扣电流对应的补充系数，设备额定值在正常情况下不应超过。

| 修正系数对应的曲线 | | | | | | | | | |
|-----------|----|----|----|----|----|----|----|----|----|
| 额定电流 (A) | 06 | 10 | 16 | 20 | 25 | 32 | 40 | 50 | 63 |
| B | 1 | 1 | 2 | 2 | 2 | 2 | 2 | 2 | 3 |
| C | 1 | 1 | 2 | 2 | 2 | 2 | 2 | 2 | 3 |
| D | 1 | 1 | 2 | 2 | 2 | 2 | 2 | 2 | 3 |



频率系数

热脱扣：不变

电磁脱扣：将相应数值乘以频率系数K

| F (Hz) | 16Hz~60Hz | 100 Hz | 200 Hz | 300 Hz | 400 Hz |
|--------|-----------|--------|--------|--------|--------|
| K | 1 | 1.1 | 1.2 | 1.4 | 1.5 |

高原地区降容系数

| 海拔 (m) | 2000 | 3000 | 4000 | 5000 |
|--------------------|------|------|------|------|
| 额定电流 I_n | 1 | 0.97 | 0.91 | 0.86 |
| 额定绝缘电压 U_i | 1 | 0.90 | 0.82 | 0.76 |
| 工频耐压 | 1 | 0.90 | 0.82 | 0.76 |
| 额定冲击耐受耐压 U_{imp} | 1 | 0.90 | 0.82 | 0.76 |
| 额定分断能力 I_{cn} | 1 | 0.87 | 0.77 | 0.67 |
| 电气寿命 | 1 | 0.87 | 0.77 | 0.67 |

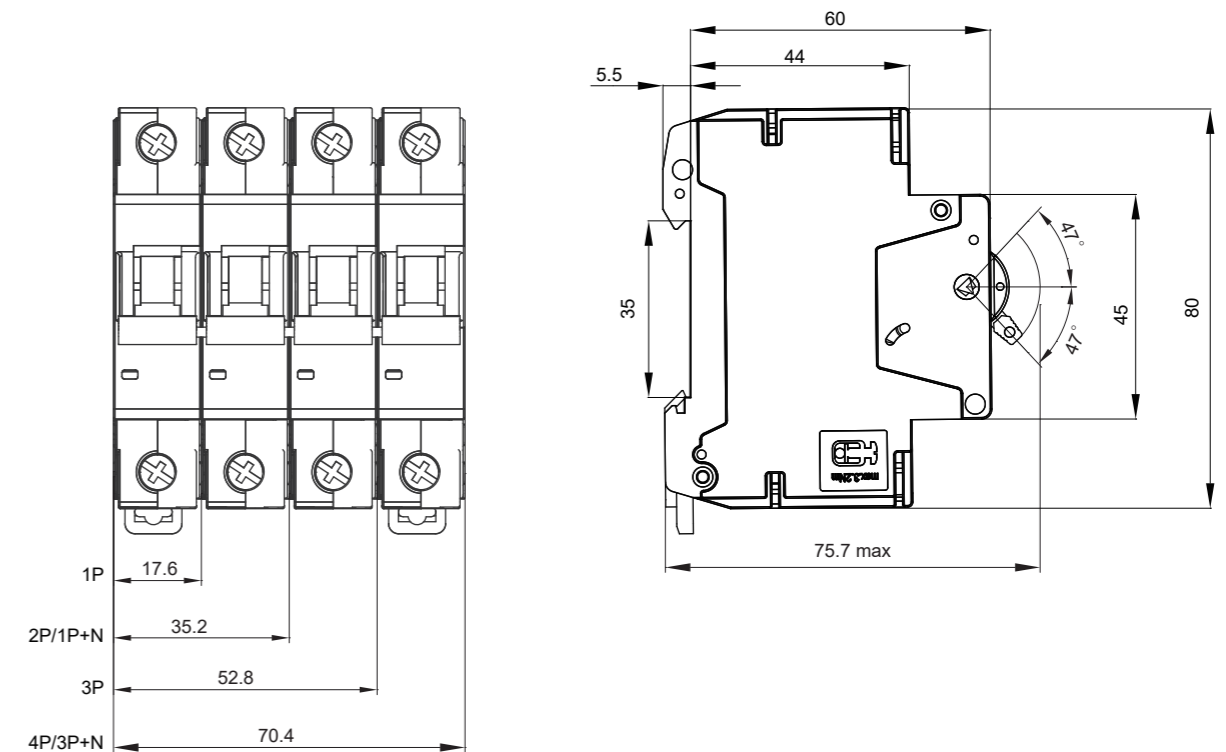
连接导线要求

压接式，可接1mm²~25mm²导线

| 接线螺钉规格 | 额定扭矩 | 极限扭矩 | 国标扭矩 | 单股硬铜线 | 多股软铜线 |
|--------|--------|--------|--------|-------------------------------------|-------------------------------------|
| M5 | 2.0N·m | 3.2N·m | 2.0N·m | 1mm ² ~25mm ² | 1mm ² ~25mm ² |

外形安装尺寸图

单位：mm

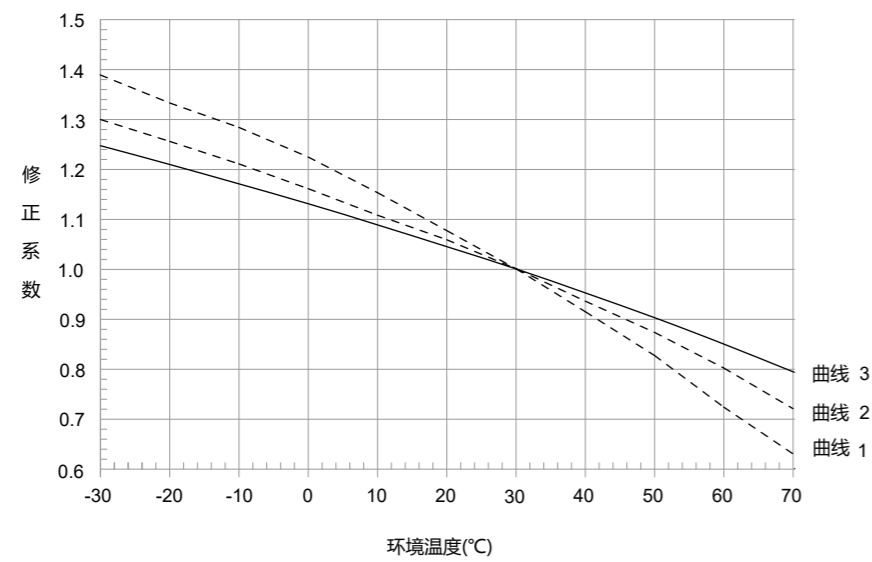


降容系数

温度补偿曲线

在不同温度情况下，过载脱扣电流对应的补充系数，设备额定值在正常情况下不应超过。

| 修正系数对应的曲线 | | | | | | | | | |
|-----------|----|----|----|----|----|----|----|----|----|
| 额定电流 (A) | 06 | 10 | 16 | 20 | 25 | 32 | 40 | 50 | 63 |
| B | 1 | 1 | 2 | 2 | 2 | 2 | 2 | 2 | 3 |
| C | 1 | 1 | 2 | 2 | 2 | 2 | 2 | 2 | 3 |
| D | 1 | 1 | 2 | 2 | 2 | 2 | 2 | 2 | 3 |



频率系数

热脱扣：不变

电磁脱扣：将相应数值乘以频率系数K

| F (Hz) | 16Hz~60Hz | 100 Hz | 200 Hz | 300 Hz | 400 Hz |
|--------|-----------|--------|--------|--------|--------|
| K | 1 | 1.1 | 1.2 | 1.4 | 1.5 |

高原地区降容系数

| 海拔 (m) | 2000 | 3000 | 4000 | 5000 |
|--------------------|------|------|------|------|
| 额定电流 I_n | 1 | 0.97 | 0.91 | 0.86 |
| 额定绝缘电压 U_i | 1 | 0.90 | 0.82 | 0.76 |
| 工频耐压 | 1 | 0.90 | 0.82 | 0.76 |
| 额定冲击耐受耐压 U_{imp} | 1 | 0.90 | 0.82 | 0.76 |
| 额定分断能力 I_{cn} | 1 | 0.87 | 0.77 | 0.67 |
| 电气寿命 | 1 | 0.87 | 0.77 | 0.67 |

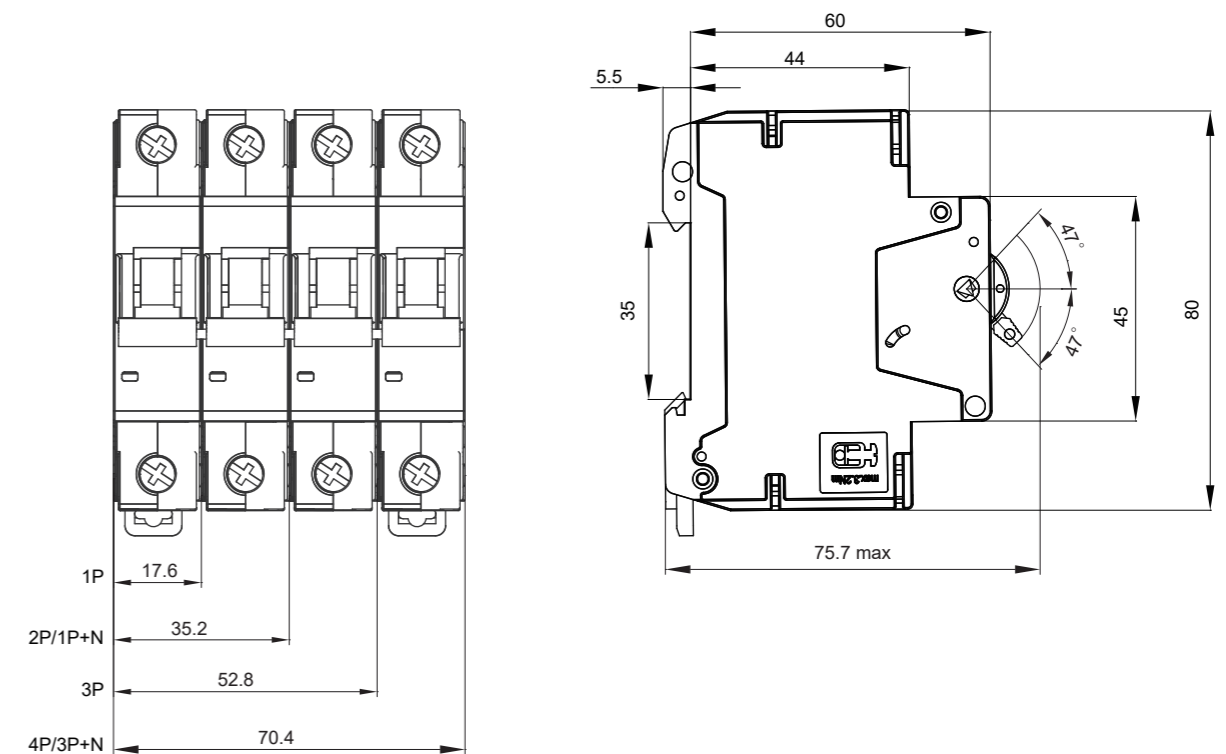
连接导线要求

压接式，可接1mm²~25mm²导线

| 接线螺钉规格 | 额定扭矩 | 极限扭矩 | 国标扭矩 | 单股硬铜线 | 多股软铜线 |
|--------|--------|--------|--------|-------------------------------------|-------------------------------------|
| M5 | 2.0N·m | 3.2N·m | 2.0N·m | 1mm ² ~25mm ² | 1mm ² ~25mm ² |

外形安装尺寸图

单位：mm



选型表

| 极数 | 型号 (B 特性) | 型号 (C 特性) | 型号 (D 特性) | 额定电流 (A) | 分断能力 (A) |
|------|----------------|----------------|----------------|-------------|-------------|
| 1P | UEB3-63L/B061 | UEB3-63L/C061 | UEB3-63L/D061 | 06 | 4500 |
| 1P | UEB3-63L/B101 | UEB3-63L/C101 | UEB3-63L/D101 | 10 | 4500 |
| 1P | UEB3-63L/B161 | UEB3-63L/C161 | UEB3-63L/D161 | 16 | 4500 |
| 1P | UEB3-63L/B201 | UEB3-63L/C201 | UEB3-63L/D201 | 20 | 4500 |
| 1P | UEB3-63L/B251 | UEB3-63L/C251 | UEB3-63L/D251 | 25 | 4500 |
| 1P | UEB3-63L/B321 | UEB3-63L/C321 | UEB3-63L/D321 | 32 | 4500 |
| 1P | UEB3-63L/B401 | UEB3-63L/C401 | UEB3-63L/D401 | 40 | 4500 |
| 1P | UEB3-63L/B501 | UEB3-63L/C501 | UEB3-63L/D501 | 50 | 4500 |
| 1P | UEB3-63L/B631 | UEB3-63L/C631 | UEB3-63L/D631 | 63 | 4500 |
| 1P+N | UEB3-63L/B061N | UEB3-63L/C061N | UEB3-63L/D061N | 06 | 4500 |
| 1P+N | UEB3-63L/B101N | UEB3-63L/C101N | UEB3-63L/D101N | 10 | 4500 |
| 1P+N | UEB3-63L/B161N | UEB3-63L/C161N | UEB3-63L/D161N | 16 | 4500 |
| 1P+N | UEB3-63L/B201N | UEB3-63L/C201N | UEB3-63L/D201N | 20 | 4500 |
| 1P+N | UEB3-63L/B251N | UEB3-63L/C251N | UEB3-63L/D251N | 25 | 4500 |
| 1P+N | UEB3-63L/B321N | UEB3-63L/C321N | UEB3-63L/D321N | 32 | 4500 |
| 1P+N | UEB3-63L/B401N | UEB3-63L/C401N | UEB3-63L/D401N | 40 | 4500 |
| 1P+N | UEB3-63L/B501N | UEB3-63L/C501N | UEB3-63L/D501N | 50 | 4500 |
| 1P+N | UEB3-63L/B631N | UEB3-63L/C631N | UEB3-63L/D631N | 63 | 4500 |
| 2P | UEB3-63L/B062 | UEB3-63L/C062 | UEB3-63L/D062 | 06 | 4500 |
| 2P | UEB3-63L/B102 | UEB3-63L/C102 | UEB3-63L/D102 | 10 | 4500 |
| 2P | UEB3-63L/B162 | UEB3-63L/C162 | UEB3-63L/D162 | 16 | 4500 |
| 2P | UEB3-63L/B202 | UEB3-63L/C202 | UEB3-63L/D202 | 20 | 4500 |
| 2P | UEB3-63L/B252 | UEB3-63L/C252 | UEB3-63L/D252 | 25 | 4500 |
| 2P | UEB3-63L/B322 | UEB3-63L/C322 | UEB3-63L/D322 | 32 | 4500 |
| 2P | UEB3-63L/B402 | UEB3-63L/C402 | UEB3-63L/D402 | 40 | 4500 |
| 2P | UEB3-63L/B502 | UEB3-63L/C502 | UEB3-63L/D502 | 50 | 4500 |
| 2P | UEB3-63L/B632 | UEB3-63L/C632 | UEB3-63L/D632 | 63 | 4500 |
| 3P | UEB3-63L/B063 | UEB3-63L/C063 | UEB3-63L/D063 | 06 | 4500 |
| 3P | UEB3-63L/B103 | UEB3-63L/C103 | UEB3-63L/D103 | 10 | 4500 |
| 3P | UEB3-63L/B163 | UEB3-63L/C163 | UEB3-63L/D163 | 16 | 4500 |
| 3P | UEB3-63L/B203 | UEB3-63L/C203 | UEB3-63L/D203 | 20 | 4500 |
| 3P | UEB3-63L/B253 | UEB3-63L/C253 | UEB3-63L/D253 | 25 | 4500 |
| 3P | UEB3-63L/B323 | UEB3-63L/C323 | UEB3-63L/D323 | 32 | 4500 |
| 3P | UEB3-63L/B403 | UEB3-63L/C403 | UEB3-63L/D403 | 40 | 4500 |
| 3P | UEB3-63L/B503 | UEB3-63L/C503 | UEB3-63L/D503 | 50 | 4500 |
| 3P | UEB3-63L/B633 | UEB3-63L/C633 | UEB3-63L/D633 | 63 | 4500 |
| 3P+N | UEB3-63L/B063N | UEB3-63L/C063N | UEB3-63L/D063N | 06 | 4500 |
| 3P+N | UEB3-63L/B103N | UEB3-63L/C103N | UEB3-63L/D103N | 10 | 4500 |
| 3P+N | UEB3-63L/B163N | UEB3-63L/C163N | UEB3-63L/D163N | 16 | 4500 |
| 3P+N | UEB3-63L/B203N | UEB3-63L/C203N | UEB3-63L/D203N | 20 | 4500 |
| 3P+N | UEB3-63L/B253N | UEB3-63L/C253N | UEB3-63L/D253N | 25 | 4500 |
| 3P+N | UEB3-63L/B323N | UEB3-63L/C323N | UEB3-63L/D323N | 32 | 4500 |
| 3P+N | UEB3-63L/B403N | UEB3-63L/C403N | UEB3-63L/D403N | 40 | 4500 |
| 3P+N | UEB3-63L/B503N | UEB3-63L/C503N | UEB3-63L/D503N | 50 | 4500 |
| 3P+N | UEB3-63L/B633N | UEB3-63L/C633N | UEB3-63L/D633N | 63 | 4500 |
| 4P | UEB3-63L/B064 | UEB3-63L/C064 | UEB3-63L/D064 | 06 | 4500 |
| 4P | UEB3-63L/B104 | UEB3-63L/C104 | UEB3-63L/D104 | 10 | 4500 |
| 4P | UEB3-63L/B164 | UEB3-63L/C164 | UEB3-63L/D164 | 16 | 4500 |
| 4P | UEB3-63L/B204 | UEB3-63L/C204 | UEB3-63L/D204 | 20 | 4500 |
| 4P | UEB3-63L/B254 | UEB3-63L/C254 | UEB3-63L/D254 | 25 | 4500 |
| 4P | UEB3-63L/B324 | UEB3-63L/C324 | UEB3-63L/D324 | 32 | 4500 |
| 4P | UEB3-63L/B404 | UEB3-63L/C404 | UEB3-63L/D404 | 40 | 4500 |
| 4P | UEB3-63L/B504 | UEB3-63L/C504 | UEB3-63L/D504 | 50 | 4500 |
| 4P | UEB3-63L/B634 | UEB3-63L/C634 | UEB3-63L/D634 | 63 | 4500 |

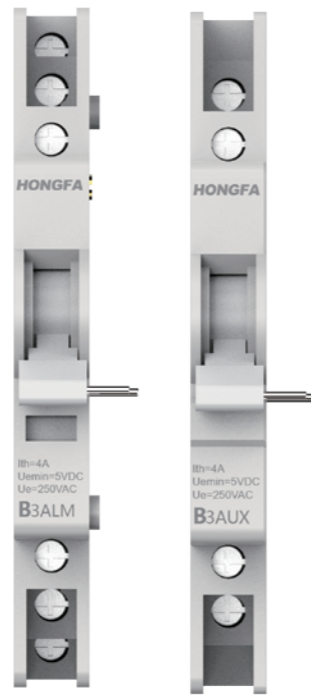
| 极数 | 型号 (B 特性) | 型号 (C 特性) | 型号 (D 特性) | 额定电流 (A) | 分断能力 (A) |
|------|----------------|----------------|----------------|----------|-------------|
| 1P | UEB3-63M/B061 | UEB3-63M/C061 | UEB3-63M/D061 | 06 | 6000 |
| 1P | UEB3-63M/B101 | UEB3-63M/C101 | UEB3-63M/D101 | 10 | 6000 |
| 1P | UEB3-63M/B161 | UEB3-63M/C161 | UEB3-63M/D161 | 16 | 6000 |
| 1P | UEB3-63M/B201 | UEB3-63M/C201 | UEB3-63M/D201 | 20 | 6000 |
| 1P | UEB3-63M/B251 | UEB3-63M/C251 | UEB3-63M/D251 | 25 | 6000 |
| 1P | UEB3-63M/B321 | UEB3-63M/C321 | UEB3-63M/D321 | 32 | 6000 |
| 1P | UEB3-63M/B401 | UEB3-63M/C401 | UEB3-63M/D401 | 40 | 6000 |
| 1P | UEB3-63M/B501 | UEB3-63M/C501 | UEB3-63M/D501 | 50 | 6000 |
| 1P | UEB3-63M/B631 | UEB3-63M/C631 | UEB3-63M/D631 | 63 | 6000 |
| 1P+N | UEB3-63M/B061N | UEB3-63M/C061N | UEB3-63M/D061N | 06 | 6000 |
| 1P+N | UEB3-63M/B101N | UEB3-63M/C101N | UEB3-63M/D101N | 10 | 6000 |
| 1P+N | UEB3-63M/B161N | UEB3-63M/C161N | UEB3-63M/D161N | 16 | 6000 |
| 1P+N | UEB3-63M/B201N | UEB3-63M/C201N | UEB3-63M/D201N | 20 | 6000 |
| 1P+N | UEB3-63M/B251N | UEB3-63M/C251N | UEB3-63M/D251N | 25 | 6000 |
| 1P+N | UEB3-63M/B321N | UEB3-63M/C321N | UEB3-63M/D321N | 32 | 6000 |
| 1P+N | UEB3-63M/B401N | UEB3-63M/C401N | UEB3-63M/D401N | 40 | 6000 |
| 1P+N | UEB3-63M/B501N | UEB3-63M/C501N | UEB3-63M/D501N | 50 | 6000 |
| 1P+N | UEB3-63M/B631N | UEB3-63M/C631N | UEB3-63M/D631N | 63 | 6000 |
| 2P | UEB3-63M/B062 | UEB3-63M/C062 | UEB3-63M/D062 | 06 | 6000 |
| 2P | UEB3-63M/B102 | UEB3-63M/C102 | UEB3-63M/D102 | 10 | 6000 |
| 2P | UEB3-63M/B162 | UEB3-63M/C162 | UEB3-63M/D162 | 16 | 6000 |
| 2P | UEB3-63M/B202 | UEB3-63M/C202 | UEB3-63M/D202 | 20 | 6000 |
| 2P | UEB3-63M/B252 | UEB3-63M/C252 | UEB3-63M/D252 | 25 | 6000 |
| 2P | UEB3-63M/B322 | UEB3-63M/C322 | UEB3-63M/D322 | 32 | 6000 |
| 2P | UEB3-63M/B402 | UEB3-63M/C402 | UEB3-63M/D402 | 40 | 6000 |
| 2P | UEB3-63M/B502 | UEB3-63M/C502 | UEB3-63M/D502 | 50 | 6000 |
| 2P | UEB3-63M/B632 | UEB3-63M/C632 | UEB3-63M/D632 | 63 | 6000 |
| 3P | UEB3-63M/B063 | UEB3-63M/C063 | UEB3-63M/D063 | 06 | 6000 |
| 3P | UEB3-63M/B103 | UEB3-63M/C103 | UEB3-63M/D103 | 10 | 6000 |
| 3P | UEB3-63M/B163 | UEB3-63M/C163 | UEB3-63M/D163 | 16 | 6000 |
| 3P | UEB3-63M/B203 | UEB3-63M/C203 | UEB3-63M/D203 | 20 | 6000 |
| 3P | UEB3-63M/B253 | UEB3-63M/C253 | UEB3-63M/D253 | 25 | 6000 |
| 3P | UEB3-63M/B323 | UEB3-63M/C323 | UEB3-63M/D323 | 32 | 6000 |
| 3P | UEB3-63M/B403 | UEB3-63M/C403 | UEB3-63M/D403 | 40 | 6000 |
| 3P | UEB3-63M/B503 | UEB3-63M/C503 | UEB3-63M/D503 | 50 | 6000 |
| 3P | UEB3-63M/B633 | UEB3-63M/C633 | UEB3-63M/D633 | 63 | 6000 |
| 3P+N | UEB3-63M/B063N | UEB3-63M/C63N | UEB3-63M/D063N | 06 | 6000 |
| 3P+N | UEB3-63M/B103N | UEB3-63M/C103N | UEB3-63M/D103N | 10 | 6000 |
| 3P+N | UEB3-63M/B163N | UEB3-63M/C163N | UEB3-63M/D163N | 16 | 6000 |
| 3P+N | UEB3-63M/B203N | UEB3-63M/C203N | UEB3-63M/D203N | 20 | 6000 |
| 3P+N | UEB3-63M/B253N | UEB3-63M/C253N | UEB3-63M/D253N | 25 | 6000 |
| 3P+N | UEB3-63M/B323N | UEB3-63M/C323N | UEB3-63M/D323N | 32 | 6000 |
| 3P+N | UEB3-63M/B403N | UEB3-63M/C403N | UEB3-63M/D403N | 40 | 6000 |
| 3P+N | UEB3-63M/B503N | UEB3-63M/C503N | UEB3-63M/D503N | 50 | 6000 |
| 3P+N | UEB3-63M/B633N | UEB3-63M/C633N | UEB3-63M/D633N | 63 | 6000 |
| 4P | UEB3-63M/B064 | UEB3-63M/C064 | UEB3-63M/D064 | 06 | 6000 |
| 4P | UEB3-63M/B104 | UEB3-63M/C104 | UEB3-63M/D104 | 10 | 6000 |
| 4P | UEB3-63M/B164 | UEB3-63M/C164 | UEB3-63M/D164 | 16 | 6000 |
| 4P | UEB3-63M/B204 | UEB3-63M/C204 | UEB3-63M/D204 | 20 | 6000 |
| 4P | UEB3-63M/B254 | UEB3-63M/C254 | UEB3-63M/D254 | 25 | 6000 |
| 4P | UEB3-63M/B324 | UEB3-63M/C324 | UEB3-63M/D324 | 32 | 6000 |
| 4P | UEB3-63M/B404 | UEB3-63M/C404 | UEB3-63M/D404 | 40 | 6000 |
| 4P | UEB3-63M/B504 | UEB3-63M/C504 | UEB3-63M/D504 | 50 | 6000 |
| 4P | UEB3-63M/B634 | UEB3-63M/C634 | UEB3-63M/D634 | 63 | 6000 |

选型表

| 极数 | 型号 (B特性) | 型号 (C特性) | 型号 (D特性) | 额定电流 (A) | 分断能力 (A) |
|------|----------------|----------------|----------------|-------------|-------------|
| 1P | UEB3-63L/B061 | UEB3-63L/C061 | UEB3-63L/D061 | 06 | 4500 |
| 1P | UEB3-63L/B101 | UEB3-63L/C101 | UEB3-63L/D101 | 10 | 4500 |
| 1P | UEB3-63L/B161 | UEB3-63L/C161 | UEB3-63L/D161 | 16 | 4500 |
| 1P | UEB3-63L/B201 | UEB3-63L/C201 | UEB3-63L/D201 | 20 | 4500 |
| 1P | UEB3-63L/B251 | UEB3-63L/C251 | UEB3-63L/D251 | 25 | 4500 |
| 1P | UEB3-63L/B321 | UEB3-63L/C321 | UEB3-63L/D321 | 32 | 4500 |
| 1P | UEB3-63L/B401 | UEB3-63L/C401 | UEB3-63L/D401 | 40 | 4500 |
| 1P | UEB3-63L/B501 | UEB3-63L/C501 | UEB3-63L/D501 | 50 | 4500 |
| 1P | UEB3-63L/B631 | UEB3-63L/C631 | UEB3-63L/D631 | 63 | 4500 |
| 1P+N | UEB3-63L/B061N | UEB3-63L/C061N | UEB3-63L/D061N | 06 | 4500 |
| 1P+N | UEB3-63L/B101N | UEB3-63L/C101N | UEB3-63L/D101N | 10 | 4500 |
| 1P+N | UEB3-63L/B161N | UEB3-63L/C161N | UEB3-63L/D161N | 16 | 4500 |
| 1P+N | UEB3-63L/B201N | UEB3-63L/C201N | UEB3-63L/D201N | 20 | 4500 |
| 1P+N | UEB3-63L/B251N | UEB3-63L/C251N | UEB3-63L/D251N | 25 | 4500 |
| 1P+N | UEB3-63L/B321N | UEB3-63L/C321N | UEB3-63L/D321N | 32 | 4500 |
| 1P+N | UEB3-63L/B401N | UEB3-63L/C401N | UEB3-63L/D401N | 40 | 4500 |
| 1P+N | UEB3-63L/B501N | UEB3-63L/C501N | UEB3-63L/D501N | 50 | 4500 |
| 1P+N | UEB3-63L/B631N | UEB3-63L/C631N | UEB3-63L/D631N | 63 | 4500 |
| 2P | UEB3-63L/B062 | UEB3-63L/C062 | UEB3-63L/D062 | 06 | 4500 |
| 2P | UEB3-63L/B102 | UEB3-63L/C102 | UEB3-63L/D102 | 10 | 4500 |
| 2P | UEB3-63L/B162 | UEB3-63L/C162 | UEB3-63L/D162 | 16 | 4500 |
| 2P | UEB3-63L/B202 | UEB3-63L/C202 | UEB3-63L/D202 | 20 | 4500 |
| 2P | UEB3-63L/B252 | UEB3-63L/C252 | UEB3-63L/D252 | 25 | 4500 |
| 2P | UEB3-63L/B322 | UEB3-63L/C322 | UEB3-63L/D322 | 32 | 4500 |
| 2P | UEB3-63L/B402 | UEB3-63L/C402 | UEB3-63L/D402 | 40 | 4500 |
| 2P | UEB3-63L/B502 | UEB3-63L/C502 | UEB3-63L/D502 | 50 | 4500 |
| 2P | UEB3-63L/B632 | UEB3-63L/C632 | UEB3-63L/D632 | 63 | 4500 |
| 3P | UEB3-63L/B063 | UEB3-63L/C063 | UEB3-63L/D063 | 06 | 4500 |
| 3P | UEB3-63L/B103 | UEB3-63L/C103 | UEB3-63L/D103 | 10 | 4500 |
| 3P | UEB3-63L/B163 | UEB3-63L/C163 | UEB3-63L/D163 | 16 | 4500 |
| 3P | UEB3-63L/B203 | UEB3-63L/C203 | UEB3-63L/D203 | 20 | 4500 |
| 3P | UEB3-63L/B253 | UEB3-63L/C253 | UEB3-63L/D253 | 25 | 4500 |
| 3P | UEB3-63L/B323 | UEB3-63L/C323 | UEB3-63L/D323 | 32 | 4500 |
| 3P | UEB3-63L/B403 | UEB3-63L/C403 | UEB3-63L/D403 | 40 | 4500 |
| 3P | UEB3-63L/B503 | UEB3-63L/C503 | UEB3-63L/D503 | 50 | 4500 |
| 3P | UEB3-63L/B633 | UEB3-63L/C633 | UEB3-63L/D633 | 63 | 4500 |
| 3P+N | UEB3-63L/B063N | UEB3-63L/C063N | UEB3-63L/D063N | 06 | 4500 |
| 3P+N | UEB3-63L/B103N | UEB3-63L/C103N | UEB3-63L/D103N | 10 | 4500 |
| 3P+N | UEB3-63L/B163N | UEB3-63L/C163N | UEB3-63L/D163N | 16 | 4500 |
| 3P+N | UEB3-63L/B203N | UEB3-63L/C203N | UEB3-63L/D203N | 20 | 4500 |
| 3P+N | UEB3-63L/B253N | UEB3-63L/C253N | UEB3-63L/D253N | 25 | 4500 |
| 3P+N | UEB3-63L/B323N | UEB3-63L/C323N | UEB3-63L/D323N | 32 | 4500 |
| 3P+N | UEB3-63L/B403N | UEB3-63L/C403N | UEB3-63L/D403N | 40 | 4500 |
| 3P+N | UEB3-63L/B503N | UEB3-63L/C503N | UEB3-63L/D503N | 50 | 4500 |
| 3P+N | UEB3-63L/B633N | UEB3-63L/C633N | UEB3-63L/D633N | 63 | 4500 |
| 4P | UEB3-63L/B064 | UEB3-63L/C064 | UEB3-63L/D064 | 06 | 4500 |
| 4P | UEB3-63L/B104 | UEB3-63L/C104 | UEB3-63L/D104 | 10 | 4500 |
| 4P | UEB3-63L/B164 | UEB3-63L/C164 | UEB3-63L/D164 | 16 | 4500 |
| 4P | UEB3-63L/B204 | UEB3-63L/C204 | UEB3-63L/D204 | 20 | 4500 |
| 4P | UEB3-63L/B254 | UEB3-63L/C254 | UEB3-63L/D254 | 25 | 4500 |
| 4P | UEB3-63L/B324 | UEB3-63L/C324 | UEB3-63L/D324 | 32 | 4500 |
| 4P | UEB3-63L/B404 | UEB3-63L/C404 | UEB3-63L/D404 | 40 | 4500 |
| 4P | UEB3-63L/B504 | UEB3-63L/C504 | UEB3-63L/D504 | 50 | 4500 |
| 4P | UEB3-63L/B634 | UEB3-63L/C634 | UEB3-63L/D634 | 63 | 4500 |

| 极数 | 型号 (B特性) | 型号 (C特性) | 型号 (D特性) | 额定电流 (A) | 分断能力 (A) |
|------|----------------|----------------|----------------|----------|-------------|
| 1P | UEB3-63M/B061 | UEB3-63M/C061 | UEB3-63M/D061 | 06 | 6000 |
| 1P | UEB3-63M/B101 | UEB3-63M/C101 | UEB3-63M/D101 | 10 | 6000 |
| 1P | UEB3-63M/B161 | UEB3-63M/C161 | UEB3-63M/D161 | 16 | 6000 |
| 1P | UEB3-63M/B201 | UEB3-63M/C201 | UEB3-63M/D201 | 20 | 6000 |
| 1P | UEB3-63M/B251 | UEB3-63M/C251 | UEB3-63M/D251 | 25 | 6000 |
| 1P | UEB3-63M/B321 | UEB3-63M/C321 | UEB3-63M/D321 | 32 | 6000 |
| 1P | UEB3-63M/B401 | UEB3-63M/C401 | UEB3-63M/D401 | 40 | 6000 |
| 1P | UEB3-63M/B501 | UEB3-63M/C501 | UEB3-63M/D501 | 50 | 6000 |
| 1P | UEB3-63M/B631 | UEB3-63M/C631 | UEB3-63M/D631 | 63 | 6000 |
| 1P+N | UEB3-63M/B061N | UEB3-63M/C061N | UEB3-63M/D061N | 06 | 6000 |
| 1P+N | UEB3-63M/B101N | UEB3-63M/C101N | UEB3-63M/D101N | 10 | 6000 |
| 1P+N | UEB3-63M/B161N | UEB3-63M/C161N | UEB3-63M/D161N | 16 | 6000 |
| 1P+N | UEB3-63M/B201N | UEB3-63M/C201N | UEB3-63M/D201N | 20 | 6000 |
| 1P+N | UEB3-63M/B251N | UEB3-63M/C251N | UEB3-63M/D251N | 25 | 6000 |
| 1P+N | UEB3-63M/B321N | UEB3-63M/C321N | UEB3-63M/D321N | 32 | 6000 |
| 1P+N | UEB3-63M/B401N | UEB3-63M/C401N | UEB3-63M/D401N | 40 | 6000 |
| 1P+N | UEB3-63M/B501N | UEB3-63M/C501N | UEB3-63M/D501N | 50 | 6000 |
| 1P+N | UEB3-63M/B631N | UEB3-63M/C631N | UEB3-63M/D631N | 63 | 6000 |
| 2P | UEB3-63M/B062 | UEB3-63M/C062 | UEB3-63M/D062 | 06 | 6000 |
| 2P | UEB3-63M/B102 | UEB3-63M/C102 | UEB3-63M/D102 | 10 | 6000 |
| 2P | UEB3-63M/B162 | UEB3-63M/C162 | UEB3-63M/D162 | 16 | 6000 |
| 2P | UEB3-63M/B202 | UEB3-63M/C202 | UEB3-63M/D202 | 20 | 6000 |
| 2P | UEB3-63M/B252 | UEB3-63M/C252 | UEB3-63M/D252 | 25 | 6000 |
| 2P | UEB3-63M/B322 | UEB3-63M/C322 | UEB3-63M/D322 | 32 | 6000 |
| 2P | UEB3-63M/B402 | UEB3-63M/C402 | UEB3-63M/D402 | 40 | 6000 |
| 2P | UEB3-63M/B502 | UEB3-63M/C502 | UEB3-63M/D502 | 50 | 6000 |
| 2P | UEB3-63M/B632 | UEB3-63M/C632 | UEB3-63M/D632 | 63 | 6000 |
| 3P | UEB3-63M/B063 | UEB3-63M/C063 | UEB3-63M/D063 | 06 | 6000 |
| 3P | UEB3-63M/B103 | UEB3-63M/C103 | UEB3-63M/D103 | 10 | 6000 |
| 3P | UEB3-63M/B163 | UEB3-63M/C163 | UEB3-63M/D163 | 16 | 6000 |
| 3P | UEB3-63M/B203 | UEB3-63M/C203 | UEB3-63M/D203 | 20 | 6000 |
| 3P | UEB3-63M/B253 | UEB3-63M/C253 | UEB3-63M/D253 | 25 | 6000 |
| 3P | UEB3-63M/B323 | UEB3-63M/C323 | UEB3-63M/D323 | 32 | 6000 |
| 3P | UEB3-63M/B403 | UEB3-63M/C403 | UEB3-63M/D403 | 40 | 6000 |
| 3P | UEB3-63M/B503 | UEB3-63M/C503 | UEB3-63M/D503 | 50 | 6000 |
| 3P | UEB3-63M/B633 | UEB3-63M/C633 | UEB3-63M/D633 | 63 | 6000 |
| 3P+N | UEB3-63M/B063N | UEB3-63M/C63N | UEB3-63M/D063N | 06 | 6000 |
| 3P+N | UEB3-63M/B103N | UEB3-63M/C103N | UEB3-63M/D103N | 10 | 6000 |
| 3P+N | UEB3-63M/B163N | UEB3-63M/C163N | UEB3-63M/D163N | 16 | 6000 |
| 3P+N | UEB3-63M/B203N | UEB3-63M/C203N | UEB3-63M/D203N | 20 | 6000 |
| 3P+N | UEB3-63M/B253N | UEB3-63M/C253N | UEB3-63M/D253N | 25 | 6000 |
| 3P+N | UEB3-63M/B323N | UEB3-63M/C323N | UEB3-63M/D323N | 32 | 6000 |
| 3P+N | UEB3-63M/B403N | UEB3-63M/C403N | UEB3-63M/D403N | 40 | 6000 |
| 3P+N | UEB3-63M/B503N | UEB3-63M/C503N | UEB3-63M/D503N | 50 | 6000 |
| 3P+N | UEB3-63M/B633N | UEB3-63M/C633N | UEB3-63M/D633N | 63 | 6000 |
| 4P | UEB3-63M/B064 | UEB3-63M/C064 | UEB3-63M/D064 | 06 | 6000 |
| 4P | UEB3-63M/B104 | UEB3-63M/C104 | UEB3-63M/D104 | 10 | 6000 |
| 4P | UEB3-63M/B164 | UEB3-63M/C164 | UEB3-63M/D164 | 16 | 6000 |
| 4P | UEB3-63M/B204 | UEB3-63M/C204 | UEB3-63M/D204 | 20 | 6000 |
| 4P | UEB3-63M/B254 | UEB3-63M/C254 | UEB3-63M/D254 | 25 | 6000 |
| 4P | UEB3-63M/B324 | UEB3-63M/C324 | UEB3-63M/D324 | 32 | 6000 |
| 4P | UEB3-63M/B404 | UEB3-63M/C404 | UEB3-63M/D404 | 40 | 6000 |
| 4P | UEB3-63M/B504 | UEB3-63M/C504 | UEB3-63M/D504 | 50 | 6000 |
| 4P | UEB3-63M/B634 | UEB3-63M/C634 | UEB3-63M/D634 | 63 | 6000 |

辅助触头，报警触头产品概述



适用范围

本系列附件是与UEB3系列断路器配套的辅助功能元件，在家居、建筑等电气线路中，根据需要选择不同的电气附件与UEB3断路器配套使用，以实现断路器远程控制、提供辅助信号、分合状态指示、提供报警信号。

产品标准

| | | |
|-----------------------------|-----------|--------------------------|
| GB/T 14048.5 低压开关设备和控制设备 | 第 5-1 部分: | 控制电路电器和开关元件 机电式控制电路电器 |
|-----------------------------|-----------|--------------------------|

正常工作环境及安装条件

- 工作温度范围: -30°C ~ +70°C
- 海拔: 不超过2000m
- 环境条件: 应没有引起爆炸危险的介质, 也没有腐蚀和破坏绝缘的有害气体和导电尘埃
- 安装条件: 采用35mm标准导轨安装

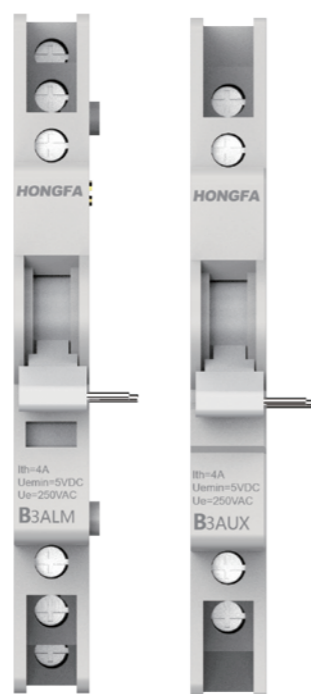
产品型号及含义

| | | | |
|----------------------------|---|---|-----|
| 产品代码: 小型断路器 | B | 3 | AUX |
| 设计序号: 3 | | | |
| 附件类型: AUX: 辅助触头; ALM: 报警触头 | | | |

技术性能

| 型号 | B3AUX/ B3ALM |
|-----------------|---|
| 触头分断能力 | AC13: $I_e=3A$; $U_e=250V$ AC15: $I_e=2A$; $U_e=250V$ DC12: $I_e=0.5A$; $U_e=110V$ |
| 最小运行电压 | 5V |
| 运行最小电流 | 10mA |
| 额定绝缘电压 | 500V |
| 额定限制短路电流 I_k | 1000A |
| 约定发热电流 I_{th} | 4A |
| 机械寿命 | 4000次 |
| 电气寿命 | 2000次 |
| 重量 (g) | 40 |
| 尺寸 (长×高×宽) | 80mm×75.7mm×14.3mm |

辅助触头，报警触头产品概述



适用范围

本系列附件是与UEB3系列断路器配套的辅助功能元件，在家居、建筑等电气线路中，根据需要选择不同的电气附件与UEB3断路器配套使用，以实现断路器远程控制、提供辅助信号、分合状态指示、提供报警信号。

产品标准

| | | |
|-----------------------------|-----------|--------------------------|
| GB/T 14048.5 低压开关设备和控制设备 | 第 5-1 部分: | 控制电路电器和开关元件 机电式控制电路电器 |
|-----------------------------|-----------|--------------------------|

正常工作环境及安装条件

- 工作温度范围: -30°C ~ +70°C
- 海拔: 不超过2000m
- 环境条件: 应没有引起爆炸危险的介质, 也没有腐蚀和破坏绝缘的有害气体和导电尘埃
- 安装条件: 采用35mm标准导轨安装

产品型号及含义

| | | | |
|----------------------------|---|---|-----|
| 产品代码: 小型断路器 | B | 3 | AUX |
| 设计序号: 3 | | | |
| 附件类型: AUX: 辅助触头; ALM: 报警触头 | | | |

技术性能

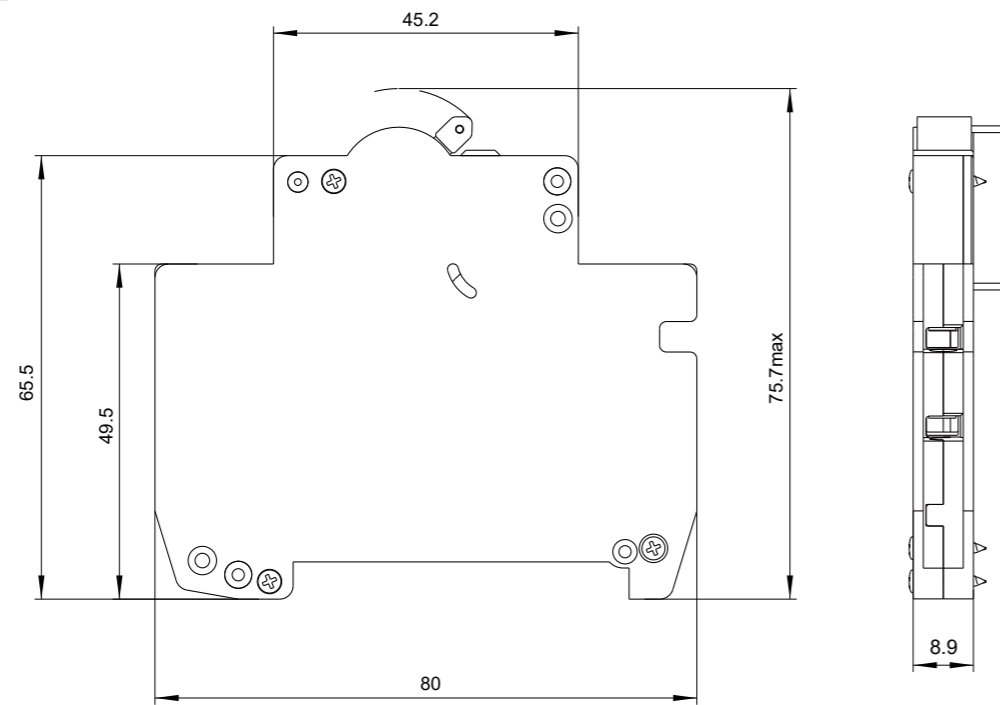
| 型号 | B3AUX/ B3ALM |
|-----------------|---|
| 触头分断能力 | AC13: $I_e=3A$; $U_e=250V$ AC15: $I_e=2A$; $U_e=250V$ DC12: $I_e=0.5A$; $U_e=110V$ |
| 最小运行电压 | 5V |
| 运行最小电流 | 10mA |
| 额定绝缘电压 | 500V |
| 额定限制短路电流 I_k | 1000A |
| 约定发热电流 I_{th} | 4A |
| 机械寿命 | 4000次 |
| 电气寿命 | 2000次 |
| 重量 (g) | 40 |
| 尺寸 (长×高×宽) | 80mm×75.7mm×14.3mm |

连接导线要求

| 接线螺钉规格 | 额定扭矩 | 导线截面积 |
|--------|---------|--|
| M3 | 0.8 N·m | 1×0.5 mm ² ~1×2.5 mm ² |

外形安装尺寸图

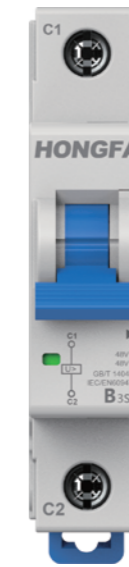
单位: mm



选型表

| 型号 | 触头数量 | 备注 |
|-------|---------|------|
| B3AUX | 一常开,一常闭 | 辅助触头 |
| B3ALM | 两常开,两常闭 | 报警触头 |

分励脱扣器产品概述



适用范围

分励脱扣器是与UEB3系列断路器配套的辅助功能元件,当分励脱扣器得到脱扣信号,控制触发与之拼装的断路器脱扣,从而实现远距离脱扣。

产品标准

GB/T 14048.5 低压开关设备和控制设备 第5-1部分:控制电路电器和开关元件 机电式控制电路电器
GB/T 14048.2 低压开关设备和控制设备 第2部分:断路器

正常工作环境及安装条件

- 工作温度范围: -30°C ~ +70°C
- 海拔: 不超过2000m
- 环境条件: 应没有引起爆炸危险的介质,也没有腐蚀和破坏绝缘的有害气体和导电尘埃
- 安装条件: 采用35mm标准导轨安装

产品型号及含义

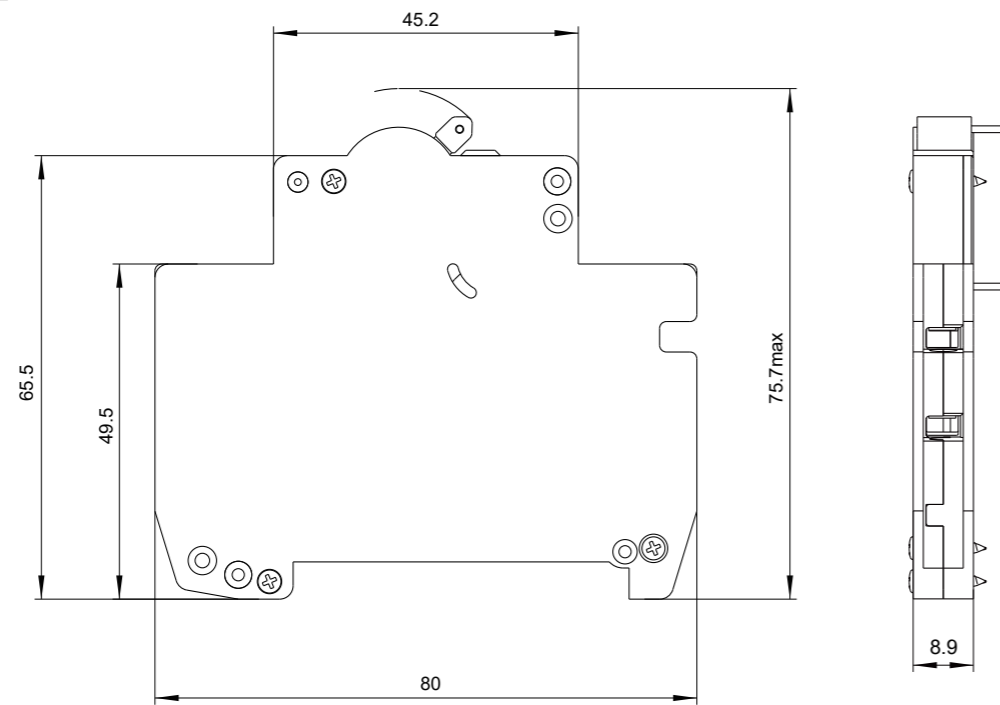
| | | | |
|-----------------|---|---|----|
| 产品代码: 小型断路器 | B | 3 | SH |
| 设计序号: 3 | | | |
| 附件类型: SH: 分励脱扣器 | | | |

连接导线要求

| 接线螺钉规格 | 额定扭矩 | 导线截面积 |
|--------|---------|--|
| M3 | 0.8 N·m | 1×0.5 mm ² ~1×2.5 mm ² |

外形安装尺寸图

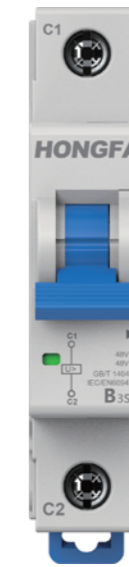
单位: mm



选型表

| 型号 | 触头数量 | 备注 |
|-------|---------|------|
| B3AUX | 一常开,一常闭 | 辅助触头 |
| B3ALM | 两常开,两常闭 | 报警触头 |

分励脱扣器产品概述



适用范围

分励脱扣器是与UEB3系列断路器配套的辅助功能元件, 当分励脱扣器得到脱扣信号, 控制触发与之拼装的断路器脱扣, 从而实现远距离脱扣。

产品标准

GB/T 14048.5 低压开关设备和控制设备 第5-1部分: 控制电路电器和开关元件 机电式控制电路电器
GB/T 14048.2 低压开关设备和控制设备 第2部分: 断路器

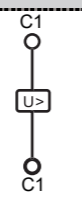
正常工作环境及安装条件

- 工作温度范围: -30°C ~ +70°C
- 海拔: 不超过2000m
- 环境条件: 应没有引起爆炸危险的介质, 也没有腐蚀和破坏绝缘的有害气体和导电尘埃
- 安装条件: 采用35mm标准导轨安装

产品型号及含义

| | | | |
|-----------------|---|---|----|
| 产品代码: 小型断路器 | B | 3 | SH |
| 设计序号: 3 | | | |
| 附件类型: SH: 分励脱扣器 | | | |

技术性能

| 型号 | B3SH | | |
|------------|--|------------|--------------------------------|
| 额定控制电压 | AC/DC: 12V~24V | AC/DC: 48V | AC: 110V~415V DC: 110V~130V |
| 最大脱扣时间 | ≤10ms | | |
| 最小脱扣电压 | 4.2V | 16.8V | 38.5V |
| 线圈电阻 | 4.8Ω | 72Ω | 400Ω |
| 动作特性 | 35%~110% U _s 之间的任一电压都能使断路器断开 | | |
| 机械寿命 | 10000 | | |
| 接线图 |  | | |
| 电气寿命 | 4000 | | |
| 尺寸 (长×高×宽) | 80mm×76mm×18mm | | |
| 重量 (g) | 78 | | |

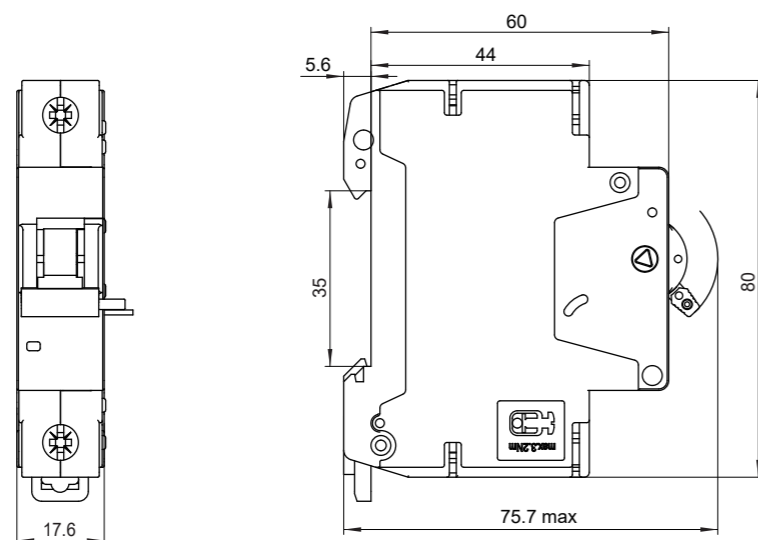
连接导线要求

压接式，可接1mm²~25mm²导线。

| 接线螺钉规格 | 额定扭矩 | 单股硬铜线 | 多股软铜线 |
|--------|---------|-------------------------------------|-------------------------------------|
| M5 | 2.0 N·m | 1mm ² ~25mm ² | 1mm ² ~25mm ² |

外形安装尺寸图

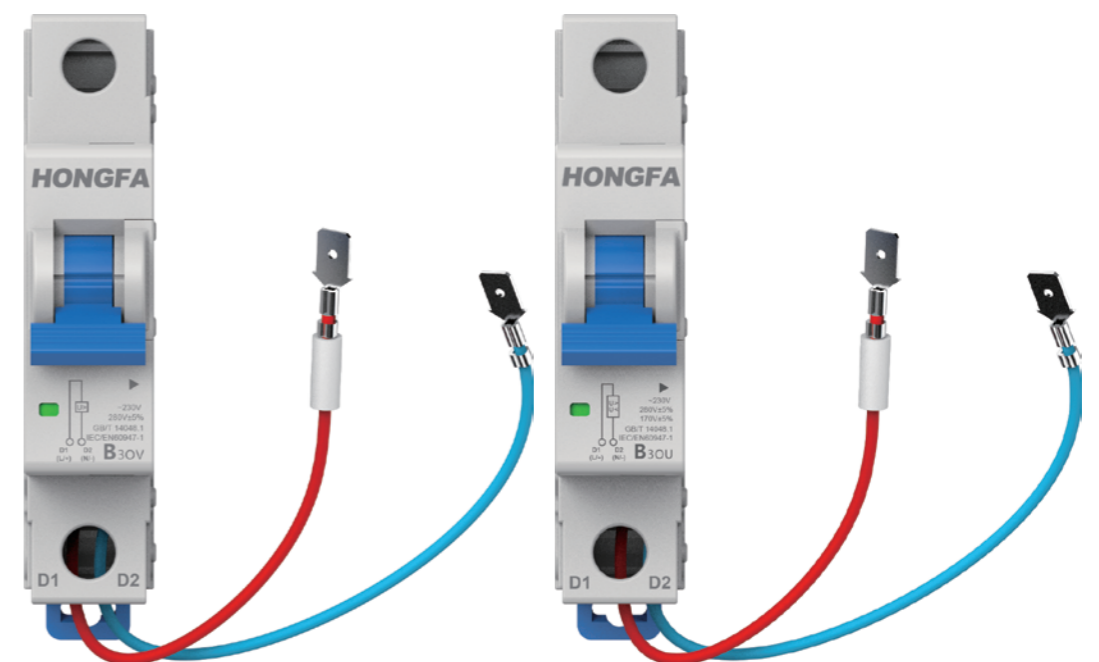
单位: mm



选型表

| 型号 | 备注 |
|------|--------------------------------|
| B3SH | AC/DC: 12V~24V |
| B3SH | AC/DC: 48V |
| B3SH | AC: 110V~415V DC: 110V~130V |

欠压、过压、过欠压脱扣器产品概述



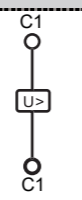
适用范围

本系列断路器电器附件是专门为UEB3系列断路器配套设计的辅助功能元件，在家居、建筑等电气电路中，可以根据需要选择不同的电气附件与UEB3系列断路器配合使用，以实现欠压、过压、过欠压保护等功能。

产品标准

GB 14048.5-2008 低压开关设备和控制设备 第5-1部分：控制电路电器和开关元件 机电式控制电路电器
GB 14048.2-2008 低压开关设备和控制设备 第2部分：断路器

技术性能

| 型号 | B3SH | | |
|------------|--|------------|--------------------------------|
| 额定控制电压 | AC/DC: 12V~24V | AC/DC: 48V | AC: 110V~415V DC: 110V~130V |
| 最大脱扣时间 | ≤10ms | | |
| 最小脱扣电压 | 4.2V | 16.8V | 38.5V |
| 线圈电阻 | 4.8Ω | 72Ω | 400Ω |
| 动作特性 | 35%~110% U _s 之间的任一电压都能使断路器断开 | | |
| 机械寿命 | 10000 | | |
| 接线图 |  | | |
| 电气寿命 | 4000 | | |
| 尺寸 (长×高×宽) | 80mm×76mm×18mm | | |
| 重量 (g) | 78 | | |

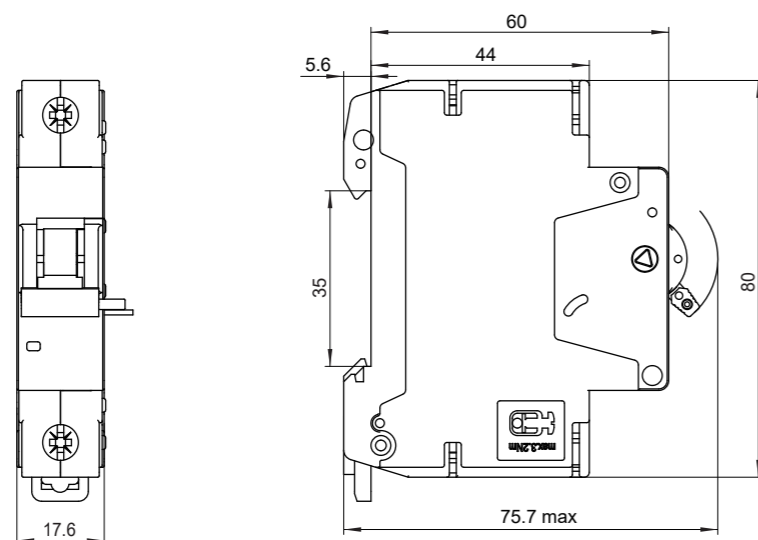
连接导线要求

压接式，可接1mm²~25mm²导线。

| 接线螺钉规格 | 额定扭矩 | 单股硬铜线 | 多股软铜线 |
|--------|---------|-------------------------------------|-------------------------------------|
| M5 | 2.0 N·m | 1mm ² ~25mm ² | 1mm ² ~25mm ² |

外形安装尺寸图

单位: mm



选型表

| 型号 | 备注 |
|------|--------------------------------|
| B3SH | AC/DC: 12V~24V |
| B3SH | AC/DC: 48V |
| B3SH | AC: 110V~415V DC: 110V~130V |

欠压、过压、过欠压脱扣器产品概述



适用范围

本系列断路器电器附件是专门为UEB3系列断路器配套设计的辅助功能元件，在家居、建筑等电气电路中，可以根据需要选择不同的电气附件与UEB3系列断路器配合使用，以实现欠压、过压、过欠压保护等功能。

产品标准

GB 14048.5-2008 低压开关设备和控制设备 第5-1部分：控制电路电器和开关元件 机电式控制电路电器
GB 14048.2-2008 低压开关设备和控制设备 第2部分：断路器

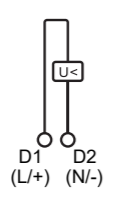
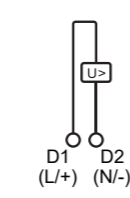
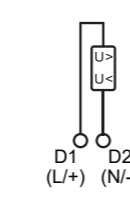
正常工作环境及安装条件

- 工作温度范围：-25℃~+60℃
- 海拔：不超过2000m
- 环境条件：应没有引起爆炸危险的介质，也没有腐蚀和破坏绝缘的有害气体和导电尘埃
- 安装条件：采用35mm标准导轨安装；安装面与垂直面的倾斜度不超过±5°

产品型号及含义

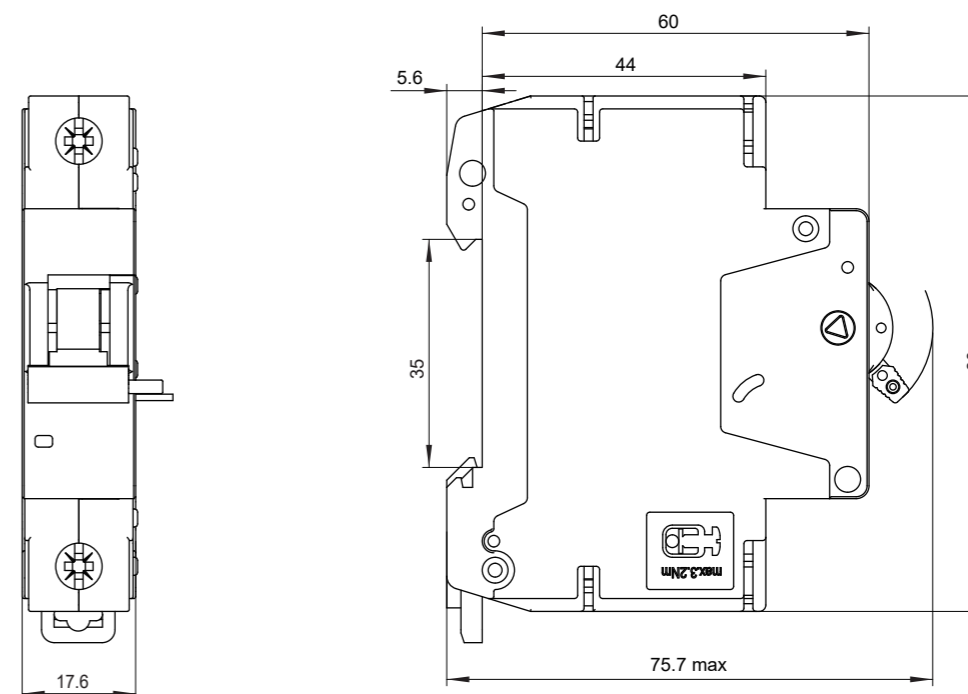
| | | | |
|----------------------------------|----------|----------|-----------|
| | B | 3 | UV |
| 产品代码：小型断路器 | | | |
| 设计序号：3 | | | |
| 附件类型：UV：欠压脱扣器；OV：过压脱扣器；OU：过欠压脱扣器 | | | |

技术性能

| 附件代号 | B3UV | B3OV | B3OU |
|------------|---|---|---|
| 额定工作电压 | AC:230V | | |
| 动作电压 | $0.35U_n \leq V \leq 0.7U_n$ | $280V \pm 5\%$ | 欠压： $0.35U_n \leq V \leq 0.7U_n$ 过压： $280V \pm 5\%$ |
| 接线图 |  |  |  |
| 频率 | 50/60 Hz | | |
| 线圈电阻 | 400Ω | | |
| 机械寿命 | 10000 | | |
| 电气寿命 | 4000 | | |
| 尺寸 (长×高×宽) | 80mm×76mm×18mm | | |
| 重量 (g) | 85 | | |

外形安装尺寸图

单位：mm



选型表

| 型号 | 备注 |
|------|--------|
| B3UV | 欠压脱扣器 |
| B3OV | 过压脱扣器 |
| B3OU | 过欠压脱扣器 |

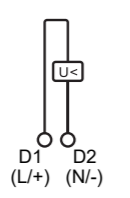
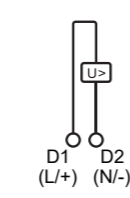
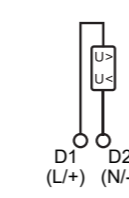
正常工作环境及安装条件

- 工作温度范围：-25℃~+60℃
- 海拔：不超过2000m
- 环境条件：应没有引起爆炸危险的介质，也没有腐蚀和破坏绝缘的有害气体和导电尘埃
- 安装条件：采用35mm标准导轨安装；安装面与垂直面的倾斜度不超过±5°

产品型号及含义

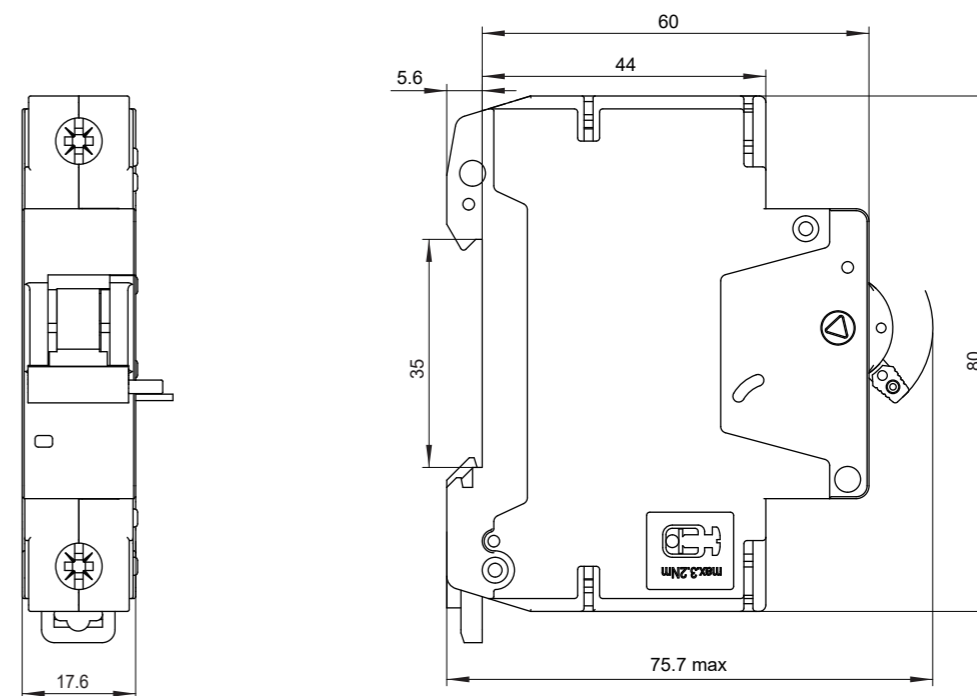
| | | | |
|----------------------------------|----------|----------|-----------|
| | B | 3 | UV |
| 产品代码：小型断路器 | | | |
| 设计序号：3 | | | |
| 附件类型：UV：欠压脱扣器；OV：过压脱扣器；OU：过欠压脱扣器 | | | |

技术性能

| 附件代号 | B3UV | B3OV | B3OU |
|------------|---|---|---|
| 额定工作电压 | AC:230V | | |
| 动作电压 | $0.35U_n \leq V \leq 0.7U_n$ | $280V \pm 5\%$ | 欠压： $0.35U_n \leq V \leq 0.7U_n$ 过压： $280V \pm 5\%$ |
| 接线图 |  |  |  |
| 频率 | 50/60 Hz | | |
| 线圈电阻 | 400Ω | | |
| 机械寿命 | 10000 | | |
| 电气寿命 | 4000 | | |
| 尺寸 (长×高×宽) | 80mm×76mm×18mm | | |
| 重量 (g) | 85 | | |

外形安装尺寸图

单位：mm



选型表

| 型号 | 备注 |
|------|--------|
| B3UV | 欠压脱扣器 |
| B3OV | 过压脱扣器 |
| B3OU | 过欠压脱扣器 |

X-ON Electronics

Largest Supplier of Electrical and Electronic Components

Click to view similar products for [Circuit Breakers](#) category:

Click to view products by [Hongfa](#) manufacturer:

Other Similar products are found below :

[LUGZX66-1-61-20.0-44](#) [M39019/01-201](#) [M39019/01-221](#) [M39019/04-249S](#) [M39019/04-313S](#) [M55629/1-016](#) [M55629/1-018](#) [M55629/1-021](#)
[M55629/1-033](#) [M55629/1-046](#) [M55629/1-048](#) [M55629/1-058](#) [M55629/1-067](#) [M55629/1-070](#) [M55629/1-079](#) [M55629/1-084](#) [M55629/1-085](#)
[M55629/1-109](#) [M55629/11-102](#) [M55629/12-045](#) [M55629/12-046](#) [M55629/1-330](#) [M55629/1-366](#) [M55629/1-387](#) [M55629/1-401](#) [M55629/2-](#)
[022](#) [M55629/2-030](#) [M55629/2-072](#) [M55629/2-082](#) [M55629/2-099](#) [M55629/2-101](#) [M55629/2-102](#) [M55629/21-BM-BM](#) [M55629/21-HM-HM](#)
[M55629/21-NS-NS](#) [M55629/22-NR-NR-NR](#) [M55629/22-RS-RS-RS](#) [M55629/2-347](#) [M55629/2-401](#) [M55629/2-413](#) [M55629/3-030](#)
[M55629/3-050](#) [M55629/3-102](#) [M55629/3-103](#) [M55629/3-128](#) [M55629/3-130](#) [M55629/3-238](#) [M55629/3-386](#) [M55629/3-LBZB](#) [M55629/4-](#)
[115](#)