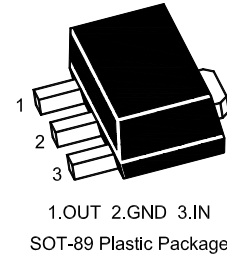


# 78L05U

## 3-Terminal Positive Voltage Regulator



### Absolute Maximum Ratings ( $T_a = 25\text{ }^\circ\text{C}$ )

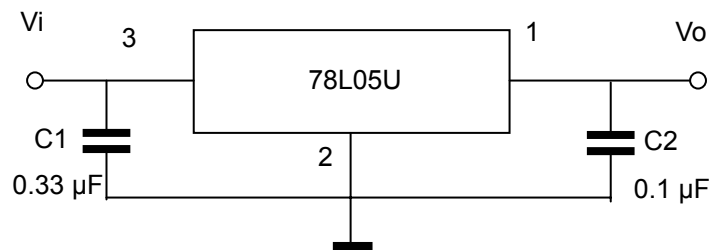
Parameter	Symbol	Rating	Unit
Input Voltage	$V_I$	30	V
Power Dissipation	$P_{tot}$	800 <sup>1)</sup>	mW
Operating Temperature	$T_{opr}$	- 20 to + 120	$^\circ\text{C}$
Storage Temperature Range	$T_{stg}$	- 55 to +150	$^\circ\text{C}$

<sup>1)</sup> 15 mm X 25 mm X 0.7 mm alumina ceramic board,  $T_a \leq 25\text{ }^\circ\text{C}$

### Electrical Characteristics ( $T_a = 25\text{ }^\circ\text{C}$ )

(Unless otherwise specified,  $0\text{ }^\circ\text{C} \leq T_J \leq 125\text{ }^\circ\text{C}$ ,  $V_I = 10\text{ V}$ ,  $I_O = 40\text{ mA}$ ,  $C_1 = 0.33\text{ }\mu\text{F}$ ,  $C_O = 0.1\text{ }\mu\text{F}$ )

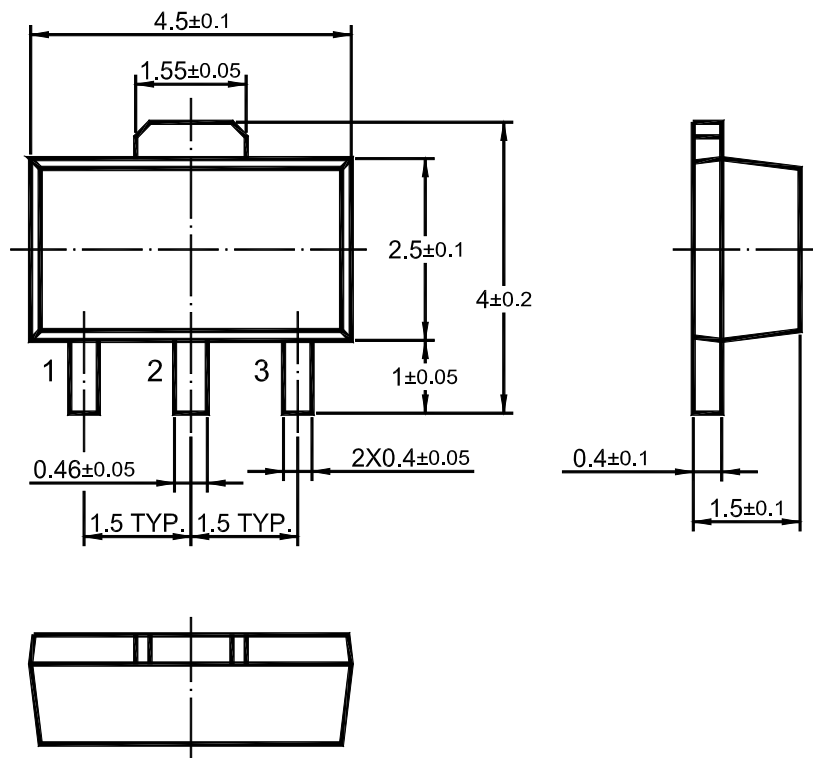
Parameter	Symbol	Test Condition	Min.	Typ.	Max.	Unit
Output Voltage	$V_O$	$T_J = 25\text{ }^\circ\text{C}$	4.8	5	5.2	V
		$7\text{ V} \leq V_I \leq 20\text{ V}$ , $1\text{ mA} \leq I_O \leq 40\text{ mA}$	4.75	-	5.25	V
		$V_I = 10\text{ V}$ , $1\text{ mA} \leq I_O \leq 70\text{ mA}$	4.75	-	5.25	V
Line Regulation	Regline	$7\text{ V} \leq V_I \leq 20\text{ V}$ , $T_J = 25\text{ }^\circ\text{C}$	-	-	150	mV
		$8\text{ V} \leq V_I \leq 20\text{ V}$ , $T_J = 25\text{ }^\circ\text{C}$	-	-	100	
Load Regulation	Regload	$1\text{ mA} \leq I_O \leq 100\text{ mA}$ , $T_J = 25\text{ }^\circ\text{C}$	-	-	60	mV
		$1\text{ mA} \leq I_O \leq 40\text{ mA}$ , $T_J = 25\text{ }^\circ\text{C}$	-	-	30	
Quiescent Current	$I_Q$	$T_J = 25\text{ }^\circ\text{C}$	-	-	5.5	mA
Quiescent Current Change	$\Delta I_Q$	$8\text{ V} \leq V_I \leq 20\text{ V}$	-	-	1.5	mA
		$1\text{ mA} \leq I_O \leq 40\text{ mA}$	-	-	0.1	
Output Noise Voltage	$V_N$	$10\text{ Hz} \leq f \leq 100\text{ KHz}$ , $T_J = 25\text{ }^\circ\text{C}$	-	40	-	$\mu\text{V}$
Ripple Rejection	RR	$f = 120\text{ Hz}$ , $8\text{ V} \leq V_I \leq 18\text{ V}$ , $T_J = 25\text{ }^\circ\text{C}$	41	-	-	dB
Dropout Voltage	$V_{Drop}$	$T_J = 25\text{ }^\circ\text{C}$	-	1.7	-	V





# 78L05U

## SOT-89 PACKAGE OUTLINE



Dimensions in mm

## X-ON Electronics

Largest Supplier of Electrical and Electronic Components

*Click to view similar products for [Linear Voltage Regulators](#) category:*

*Click to view products by [Hong Kong Chuangji](#) manufacturer:*

Other Similar products are found below :

[LV56831P-E](#) [LV5684PVD-XH](#) [MCDTSA6-2R](#) [L7815ACV-DG](#) [PQ3DZ53U](#) [LV56801P-E](#) [TLE42794G](#) [L78L05CZ/1SX](#) [L78LR05DL-MA-E](#) [636416C](#) [714954EB](#) [ZMR500QFTA](#) [LV5680P-E](#) [L78M15CV-DG](#) [L79M05T-E](#) [TLS202A1MBVHTSA1](#) [L78LR05D-MA-E](#) [NCV317MBTG](#) [NTE7227](#) [MP2018GZD-33-P](#) [MP2018GZD-5-P](#) [LV5680NPVC-XH](#) [LT1054CN8](#) [MP2018GZD-5-Z](#) [MP2018GZD-33-Z](#) [AT55EL50ESE](#) [APL5934DKAI-TRG](#) [78L05U](#) [78L05](#) [CL9193A15L5M](#) [CL9036A30F4M](#) [CL9036A18F4M](#) [CL9036A25F4M](#) [CL9036A28F4M](#) [CL9036A33F4M](#) [CL9906A18F4N](#) [CL9906A30F4N](#) [CL9908A30F4M](#) [CL9908A33F4M](#) [CL9908A18F4M](#) [CL9908A28F4M](#) [TL431ACM/TR](#) [TL431AIM/TR](#) [LM78L05ACM/TR](#) [HT7812ARMZ](#) [HT7805ARMZ](#) [HT317LRHZ](#) [HXY6206I-3.0](#) [HXY6206I-3.3](#) [XC6206P252MR](#) [XC6206P282MR](#)