

SOT-89 Encapsulate Three terminal voltage regulators

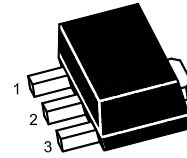
79L12 Three-terminal negative voltage regulator

FEATURES

- Maximum output current
 I_{OM} : 0.1 A
- Output voltage
 V_O : -12 V
- Continuous total dissipation
 P_D : 0.5 W

SOT-89 Plastic Package

1. GND
2. IN
3. OUT



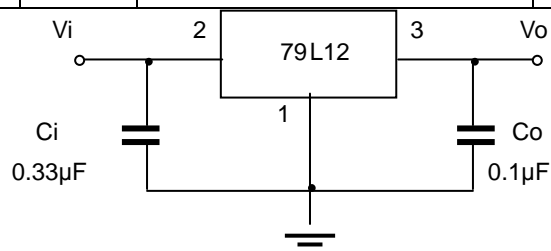
ABSOLUTE MAXIMUM RATINGS (Operating temperature range applies unless otherwise specified)

Parameter	Symbol	Value	Unit
Input Voltage	V_I	-35	V
Operating Junction Temperature Range	T_{OPR}	0~+150	°C
Storage Temperature Range	T_{STG}	-55~+150	°C

ELECTRICAL CHARACTERISTICS AT SPECIFIED VIRTUAL JUNCTION TEMPERATURE ($V_i=19V, I_o=40mA, C_i=0.33\mu F, C_o=0.1\mu F$, unless otherwise specified)

Parameter	Symbol	Test conditions	Min	Typ	Max	Unit	
Output Voltage	V_o	25°C	-11.5	-12	-12.5	V	
		-14.5V ≤ V_i ≤ -27V, $I_o=1mA\sim 40mA$	0-125°C	-11.4	-12	-12.6	V
		$I_o=1mA\sim 70mA$		-11.4	-12	-12.6	V
Load Regulation	ΔV_o	$I_o=1mA\sim 100mA$	25°C	24	100	mV	
		$I_o=1mA\sim 40mA$	25°C	15	50	mV	
Line Regulation	ΔV_o	-14.5V ≤ V_i ≤ -27V	25°C	50	250	mV	
		-16V ≤ V_i ≤ -27V	25°C	40	200	mV	
Quiescent Current	I_q	25°C			6.5	mA	
Quiescent Current Change	ΔI_q	-16V ≤ V_i ≤ -27V	0-125°C		1.5	mA	
	ΔI_q	1mA ≤ I_o ≤ 40mA	0-125°C		0.1	mA	
Output Noise Voltage	V_N	10Hz ≤ f ≤ 100KHz	25°C	80		μV	
Ripple Rejection	RR	-15V ≤ V_i ≤ -25V, f=120Hz	0-125°C	37	42	dB	
Dropout Voltage	V_d	25°C		1.7		V	

TYPICAL APPLICATION

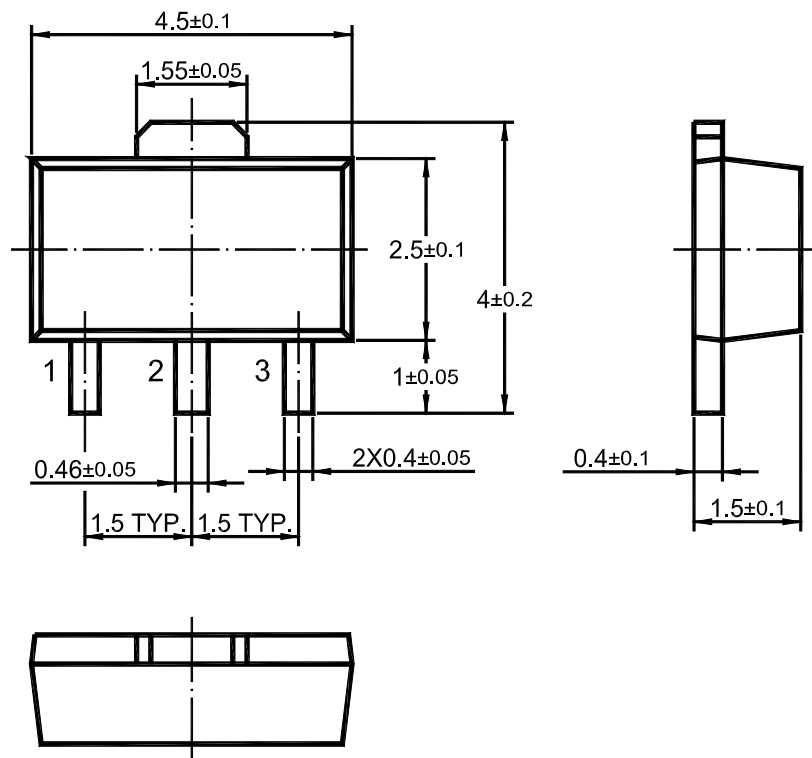


Note: Bypass capacitors are recommended for optimum stability and transient response and should be located as close as possible to the regulators.



79L12

SOT-89 PACKAGE OUTLINE



Dimensions in mm

X-ON Electronics

Largest Supplier of Electrical and Electronic Components

Click to view similar products for [Linear Voltage Regulators](#) category:

Click to view products by [Hong Kong Chuangji](#) manufacturer:

Other Similar products are found below :

[LV5684PVD-XH](#) [MCDTSA6-2R](#) [L7815ACV-DG](#) [714954EB](#) [ZMR500QFTA](#) [BA033LBSG2-TR](#) [LV5680P-E](#) [L79M05T-E](#) [L78LR05D-MA-E](#) [NCV317MBTG](#) [NTE7227](#) [MP2018GZD-33-P](#) [MP2018GZD-5-P](#) [LV5680NPVC-XH](#) [LT1054CN8](#) [ZTS6538SE](#) [UA78L09CLP](#) [UA78L09CLPR](#) [CAT6221-PPTD-GT3](#) [MC78M09CDTRK](#) [NCV51190MNTAG](#) [78M05](#) [HT7150-1](#) [UM1540DB-18](#) [XC6234H281VR-G](#) [WL2834CA-6/TR](#) [TPL730F33-5TR](#) [TLS850F1TA](#) [V50](#) [TPS549B22RVFR](#) [UM1540DB-33](#) [WL9200P3-50B](#) [WL9100P3-33B](#) [WL9005D4-33](#) [XC6219B152MR](#) [WL2855K33-3/TR](#) [PJ54BM33SE](#) [PJ9500M25SA](#) [MD7218E33PC1](#) [H7533-2PR](#) [SK7812AU](#) [SD1A30](#) [78L33](#) [TP78L33T3](#) [L78L33ACUTR](#) [SK6513ST3A-50](#) [SK6054D4-09](#) [SK6054D4-18](#) [SK6054D4-11](#) [SK6054D4-10](#) [LM79L12F](#)