

# SOT-89 Encapsulate Three terminal voltage regulators

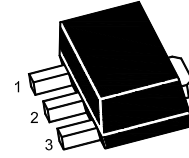
## 79L15U Three-terminal negative voltage regulator

### FEATURES

- Maximum output current
  - $I_{OM}$ : 100mA
- Output voltage
  - $V_O$ : -15 V
- Continuous total dissipation
  - $P_D$ : 0.625 W

### SOT-89 Plastic Package

- GND
- IN
- OUT



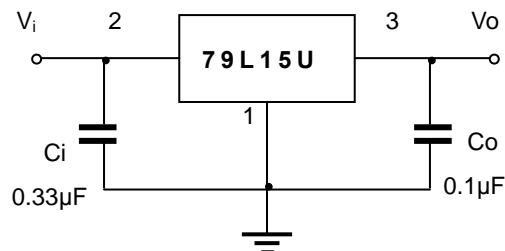
### ABSOLUTE MAXIMUM RATINGS (Operating temperature range applies unless otherwise specified)

Parameter	Symbol	Value	Units
Input Voltage	$V_i$	-35	V
Operating Junction Temperature Range	$T_{OPR}$	0~+125	°C
Storage Temperature Range	$T_{STG}$	-55~+150	°C

### ELECTRICAL CHARACTERISTICS AT SPECIFIED VIRTUAL JUNCTION TEMPERATURE ( $V_i=-23V$ , $I_o=40mA$ , $C_i=0.33\mu F$ , $C_o=0.1\mu F$ , unless otherwise specified)

Parameter	Symbol	Test conditions	Min	Typ	Max	Unit
Output voltage	$V_o$	$25^\circ C$	-14.4	-15	-15.6	V
		$-17.5V \leq V_i \leq -30V$ , $I_o=1mA \sim 40mA$	-14.25	-15	-15.75	V
		$0-125^\circ C$ , $I_o=1mA \sim 70mA$	-14.25	-15	-15.75	V
Load Regulation	$\Delta V_o$	$I_o=1mA \sim 100mA$ , $V_i=-23V$	$25^\circ C$	25	150	mV
		$I_o=1mA \sim 40mA$ , $V_i=-23V$	$25^\circ C$	15	75	mV
Line regulation	$\Delta V_o$	$-17.5V \leq V_i \leq -30V$ , $I_o=40mA$	$25^\circ C$	65	300	mV
		$-20V \leq V_i \leq -30V$ , $I_o=40mA$	$25^\circ C$	50	250	mV
Quiescent Current	$I_q$	$25^\circ C$			6.5	mA
Quiescent Current Change	$\Delta I_q$	$-20V \leq V_i \leq -30V$ , $I_o=40mA$	$0-125^\circ C$		1.5	mA
		$1mA \leq I_o \leq 40mA$	$0-125^\circ C$		0.1	mA
Output Noise Voltage	$V_N$	$10Hz \leq f \leq 100KHz$	$25^\circ C$	90		$\mu V$
Ripple Rejection	RR	$-18.5V \leq V_i \leq -28.5V$ , $f=120Hz$	$0-125^\circ C$	34	39	dB
Dropout Voltage	$V_d$	$25^\circ C$		1.7		V

### TYPICAL APPLICATION

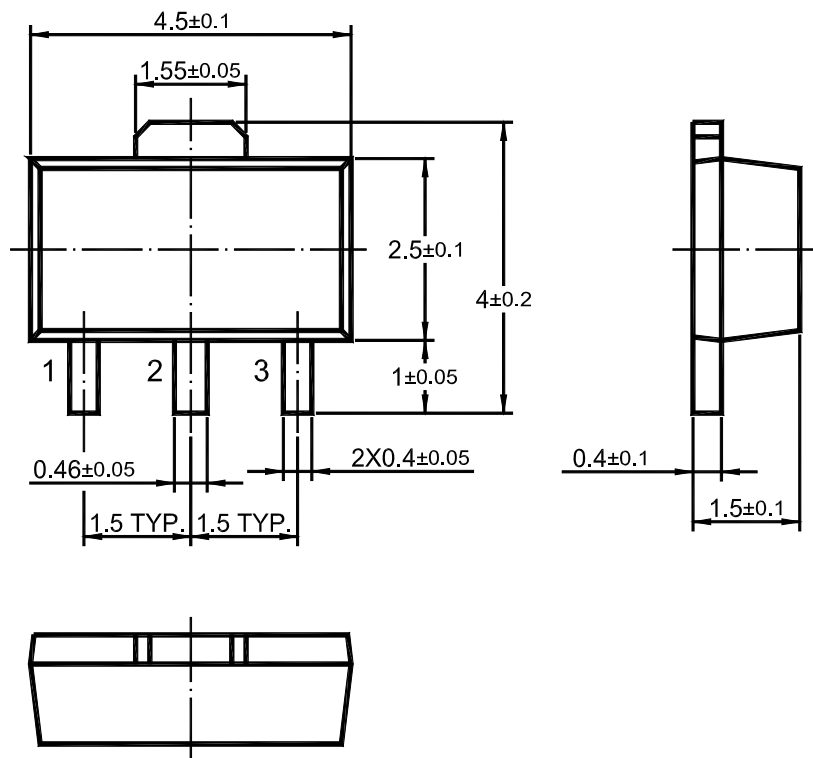


Note: Bypass capacitors are recommended for optimum stability and transient response and should be located as close as possible to the regulators.



# 79L15U

## SOT-89 PACKAGE OUTLINE



Dimensions in mm

## X-ON Electronics

Largest Supplier of Electrical and Electronic Components

*Click to view similar products for [Linear Voltage Regulators](#) category:*

*Click to view products by [Hong Kong Chuangji](#) manufacturer:*

Other Similar products are found below :

[LV5684PVD-XH](#) [MCDTSA6-2R](#) [L7815ACV-DG](#) [LV56801P-E](#) [UA7805CKC](#) [714954EB](#) [ZMR500QFTA](#) [BA033LBSG2-TR](#)  
[NCV78M05ABDTRKG](#) [LV5680P-E](#) [L79M05T-E](#) [L78LR05D-MA-E](#) [NCV317MBTG](#) [NTE7227](#) [MP2018GZD-33-P](#) [MP2018GZD-5-P](#)  
[LV5680NPVC-XH](#) [ZTS6538SE](#) [UA78L09CLP](#) [UA78L09CLPR](#) [CAT6221-PPTD-GT3](#) [MC78M09CDTRK](#) [NCV51190MNTAG](#)  
[BL1118CS8TR1833](#) [BL8563CKETR18](#) [BL8077CKETR33](#) [BL9153-33CC3TR](#) [BL9161G-15BADRN](#) [BL9161G-28BADRN](#)  
[BRCO7530MMC](#) [CJ7815B-TFN-ARG](#) [LM317C](#) [GM7333K](#) [GM7350K](#) [XC6206P332MR](#) [HT7533](#) [LM7912S/TR](#) [LT1764S/TR](#) [LM7805T](#)  
[LM338T](#) [LM1117IMP-3.3/TR](#) [HT1117AM-3.3](#) [HT7550S](#) [AMS1117-3.3](#) [HT7150S](#) [78L12](#) [HT7550](#) [HT7533-1](#) [HXY6206I-2.5](#) [HT7133](#)