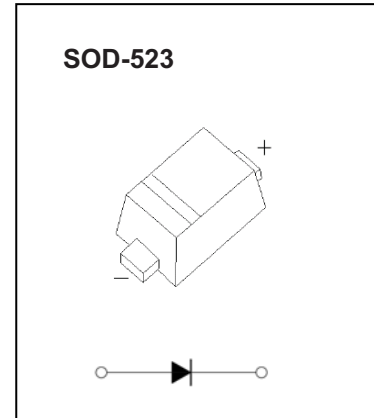
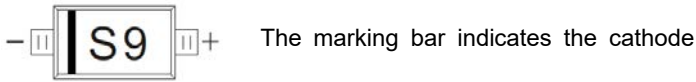


# BAT46X SCHOTTKY BARRIER DIODE

## FEATURES

- High breakdown voltage
- Low turn-on voltage
- Guard ring construction for transient protection

## MARKING: S9



## Maximum Ratings @Ta=25°C

Parameter	Symbol	Limit	Unit
Peak repetitive peak reverse voltage	$V_{RRM}$	100	V
Working peak reverse voltage	$V_{RWM}$		
Forward continuous current	$I_F$	150	mA
Repetitive peak forward current (Note 1) @ $t_p < 1.0s$ , Duty Cycle < 50%	$I_{FRM}$	350	mA
Non-repetitive Peak Forward surge current @ $t = 8.3ms$	$I_{FSM}$	750	mA
Power dissipation	$P_D$	150	mW
Thermal resistance junction to ambient air	$R_{\theta JA}$	667	°C/W
Operating Junction Temperature Range	$T_J$	-40 ~ +125	°C
Storage Temperature Range	$T_{STG}$	-55 ~ +150	°C

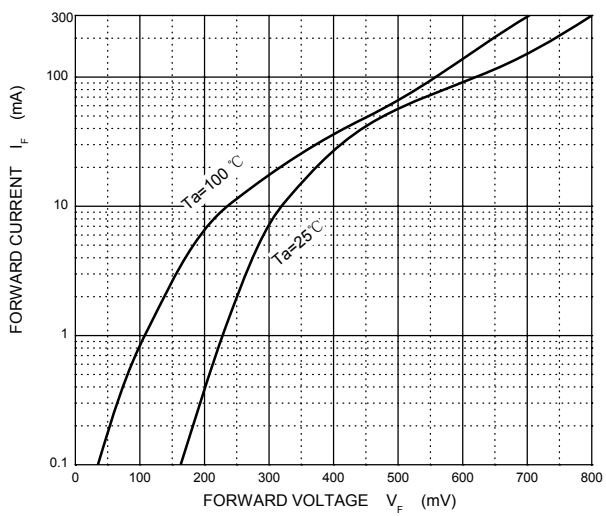
## ELECTRICAL CHARACTERISTICS (Ta=25°C unless otherwise specified)

Parameter	Symbol	Test Conditions	Min	Typ	Max	Unit
Reverse breakdown voltage(Note 2)	$V_R$	$I_R = 100\mu A$	100			V
Reverse voltage leakage current	$I_R$	$V_{R1} = 1.5V$			0.3	$\mu A$
		$V_{R2} = 10V$			0.5	
		$V_{R3} = 50V$			1	
		$V_{R4} = 75V$			2	
Forward voltage(Note 2)	$V_F$	$I_{F1} = 0.1mA$			0.25	V
		$I_{F2} = 10mA$			0.45	
		$I_{F3} = 250mA$			1	
Diode capacitance	$C_T$	$V_R = 0, f = 1MHz$		20		pF
		$V_R = 1V, f = 1MHz$		12		

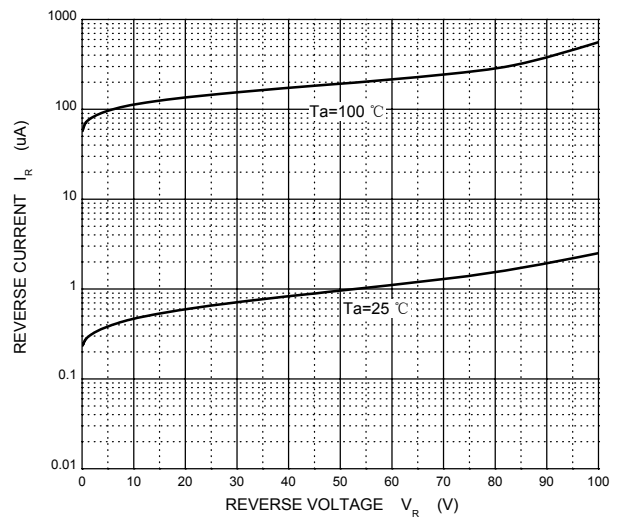
- Notes: 1. Part mounted on FR-4 board with recommended pad layout.  
 2. Short duration pulse test used to minimize self-heating effect.

## Typical Characteristics

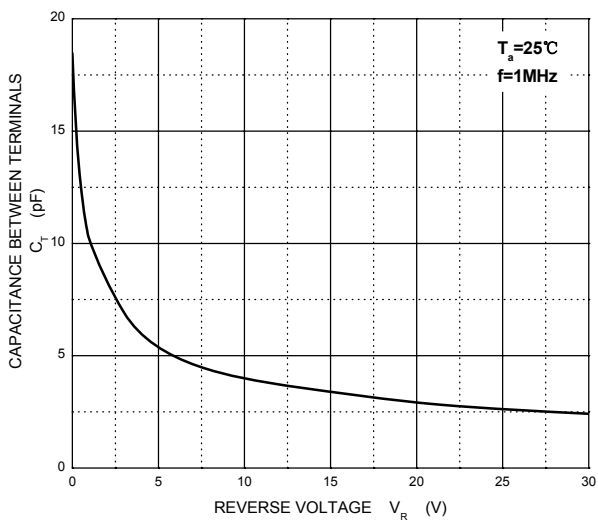
### Forward Characteristics



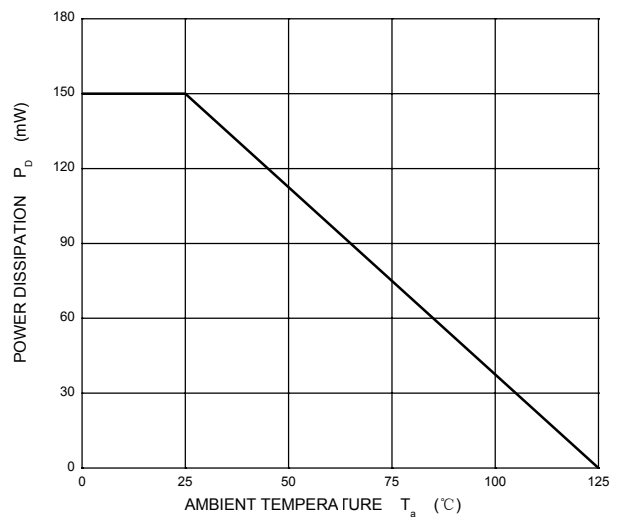
### Reverse Characteristics



### Capacitance Characteristics



### Power Derating Curve



**PACKAGE OUTLINE**

**Plastic surface mounted package; 2 leads**

**SOD-523**

## X-ON Electronics

Largest Supplier of Electrical and Electronic Components

*Click to view similar products for [Schottky Diodes & Rectifiers](#) category:*

*Click to view products by [Hong Kong Chuangji](#) manufacturer:*

Other Similar products are found below :

[MA4E2039](#) [MMBD301M3T5G](#) [RB160M-50TR](#) [D83C](#) [BAS16E6433HTMA1](#) [BAS 3010S-02LRH E6327](#) [BAT 54-02LRH E6327](#)  
[NRVBAF360T3G](#) [NSR05F40QNXT5G](#) [NTE555](#) [JANS1N6640](#) [SS3003CH-TL-E](#) [GA01SHT18](#) [CRS10I30A\(TE85L,QM](#) [MBRA140TRPBF](#)  
[MBRB30H30CT-1G](#) [BAT 15-04R E6152](#) [JANTX1N5712-1](#) [DMJ3940-000](#) [SB007-03C-TB-E](#) [NRVBB20100CTT4G](#) [NRVBM120LT1G](#)  
[NTSB30U100CT-1G](#) [CRG04\(T5L,TEMQ\)](#) [ACDBA1100LR-HF](#) [ACDBA1200-HF](#) [ACDBA240-HF](#) [ACDBA3100-HF](#) [CDBQC0530L-HF](#)  
[ACDBA260LR-HF](#) [ACDBA1100-HF](#) [10BQ015-M3/5BT](#) [NRVBM120ET1G](#) [VSSB410S-M3/5BT](#) [1N5819T-G](#) [PDS1040Q-13](#) [B160BQ-13-F](#)  
[SDM05U20CSP-7](#) [BAS 70-07 E6433](#) [B140S1F-7](#) [HSM560Je3/TR13](#) [DDB2265-000](#) [ZHCS506QTA](#) [HSM190Je3/TR13](#) [B330AF-13](#)  
[ACDBUC0230-HF](#) [SDM1U100S1F-7](#) [MBR10200CTF-G1](#) [CDLL5712](#) [DMF2822-000](#)