

# Plastic-Encapsulate MOSFETS

N-Channel 20-V(D-S) MOSFET

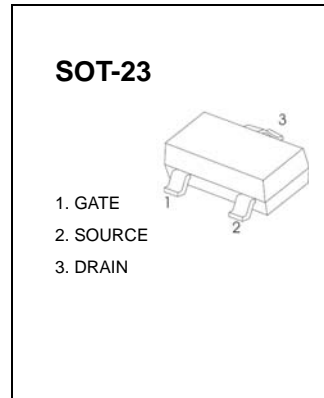
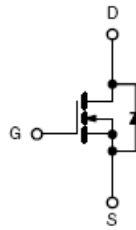
## FEATURE

TrenchFET Power MOSFET

## APPLICATIONS

- Load Switch for Portable Devices
- DC/DC Converter

MARKING: 2302



## Maximum ratings ( $T_a=25^{\circ}\text{C}$ unless otherwise noted)

Parameter	Symbol	Value	Unit
Drain-Source Voltage	$V_{DS}$	20	V
Gate-Source Voltage	$V_{GS}$	$\pm 8$	
Continuous Drain Current	$I_D$	2.8	A
Continuous Source-Drain Current(Diode Conduction)	$I_S$	0.6	
Power Dissipation	$P_D$	0.35	W
Thermal Resistance from Junction to Ambient ( $t \leq 5s$ )	$R_{\theta JA}$	357	$^{\circ}\text{C}/\text{W}$
Operating Junction	$T_J$	150	$^{\circ}\text{C}$
Storage Temperature	$T_{STG}$	-55 ~ +150	

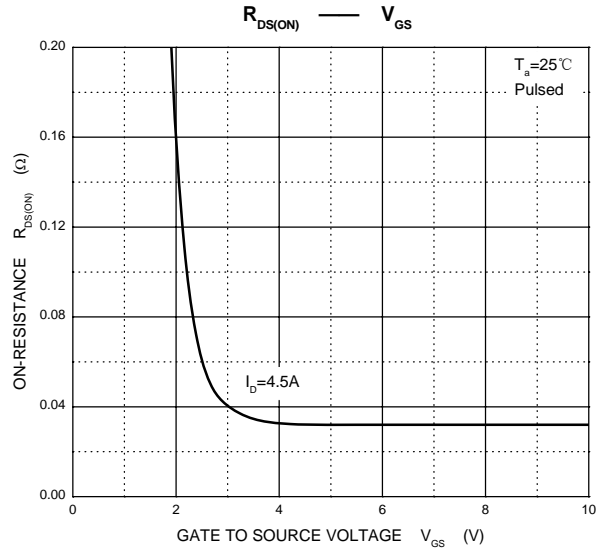
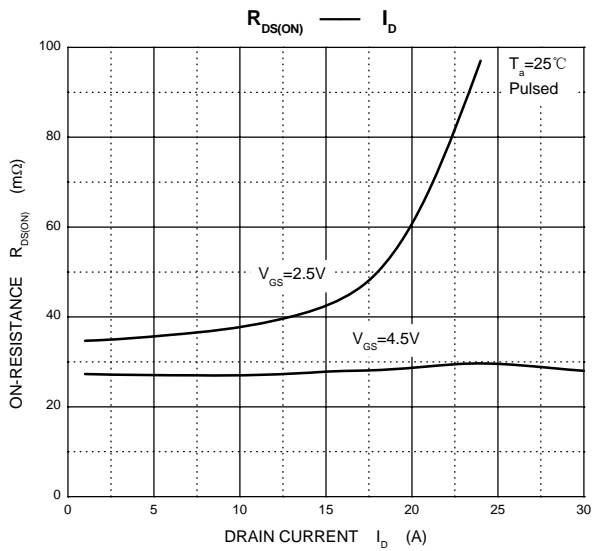
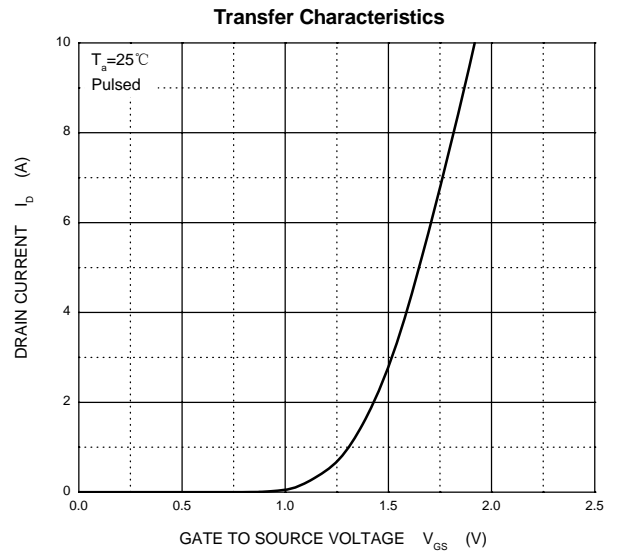
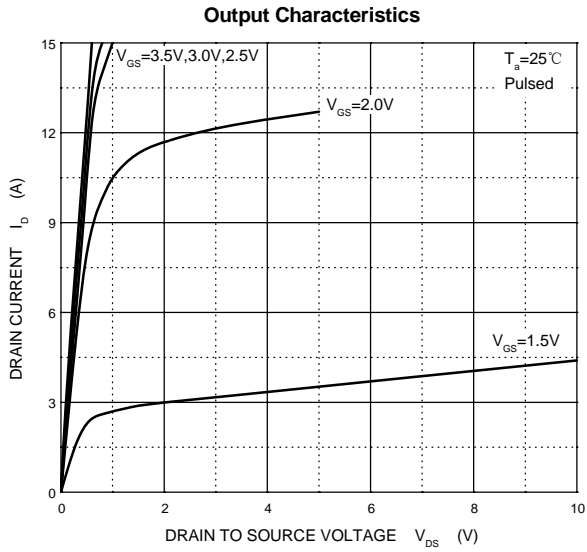
**Electrical characteristics (T<sub>a</sub>=25°C unless otherwise noted)**

Parameter	Symbol	Test Condition	Min	Typ	Max	Units
<b>Static</b>						
Drain-source breakdown voltage	V <sub>(BR)DSS</sub>	V <sub>GS</sub> = 0V, I <sub>D</sub> = 10μA	20			V
Gate-threshold voltage	V <sub>GS(th)</sub>	V <sub>DS</sub> = V <sub>GS</sub> , I <sub>D</sub> = 50μA	0.65	0.95	1.2	
Gate-body leakage	I <sub>GSS</sub>	V <sub>DS</sub> = 0V, V <sub>GS</sub> = ±8V			±100	nA
Zero gate voltage drain current	I <sub>DSS</sub>	V <sub>DS</sub> = 20V, V <sub>GS</sub> = 0V			1	μA
Drain-source on-resistance <sup>a</sup>	r <sub>DS(on)</sub>	V <sub>GS</sub> = 4.5V, I <sub>D</sub> = 3.6A		0.045	0.060	Ω
		V <sub>GS</sub> = 2.5V, I <sub>D</sub> = 3.1A		0.070	0.115	
Forward transconductance <sup>a</sup>	g <sub>fs</sub>	V <sub>DS</sub> = 5V, I <sub>D</sub> = 3.6A		8		S
Diode forward voltage	V <sub>SD</sub>	I <sub>S</sub> = 0.94A, V <sub>GS</sub> = 0V		0.76	1.2	V
<b>Dynamic</b>						
Total gate charge	Q <sub>g</sub>	V <sub>DS</sub> = 10V, V <sub>GS</sub> = 4.5V, I <sub>D</sub> = 3.6A		4.0	10	nC
Gate-source charge	Q <sub>gs</sub>			0.65		
Gate-drain charge	Q <sub>gd</sub>			1.5		
Input capacitance <sup>b</sup>	C <sub>iss</sub>	V <sub>DS</sub> = 10V, V <sub>GS</sub> = 0V, f = 1MHz		300		pF
Output capacitance <sup>b</sup>	C <sub>oss</sub>			120		
Reverse transfer capacitance <sup>b</sup>	C <sub>rss</sub>			80		
<b>Switching<sup>b</sup></b>						
Turn-on delay time	t <sub>d(on)</sub>	V <sub>DD</sub> = 10V, R <sub>L</sub> = 5.5Ω, I <sub>D</sub> ≈ 3.6A, V <sub>GEN</sub> = 4.5V, R <sub>g</sub> = 6Ω		7	15	ns
Rise time	t <sub>r</sub>			55	80	
Turn-off delay time	t <sub>d(off)</sub>			16	60	
Fall time	t <sub>f</sub>			10	25	

**Notes :**

- a. Pulse Test : Pulse width ≤ 300μs, duty cycle ≤ 2%.
- b. These parameters have no way to verify.

# Typical Characteristics



## **PACKAGE OUTLINE**

**Plastic surface mounted package; 3 leads**

**SOT-23**

## X-ON Electronics

Largest Supplier of Electrical and Electronic Components

*Click to view similar products for [MOSFET](#) category:*

*Click to view products by [Hong Kong Chuangji](#) manufacturer:*

Other Similar products are found below :

[IRFD120](#) [JANTX2N5237](#) [BUK455-60A/B](#) [MIC4420CM-TR](#) [VN1206L](#) [NDP4060](#) [SI4482DY](#) [IPS70R2K0CEAKMA1](#) [SQD23N06-31L-GE3](#)  
[TK16J60W,S1VQ\(O](#) [2SK2614\(TE16L1,Q\)](#) [DMN1017UCP3-7](#) [DMN1053UCP4-7](#) [SQJ469EP-T1-GE3](#) [NTE2384](#) [DMC2700UDMQ-7](#)  
[DMN2080UCB4-7](#) [DMN61D9UWQ-13](#) [US6M2GTR](#) [DMN31D5UDJ-7](#) [DMP22D4UFO-7B](#) [DMN1006UCA6-7](#) [DMN16M9UCA6-7](#)  
[STF5N65M6](#) [IRF40H233XTMA1](#) [STU5N65M6](#) [DMN6022SSD-13](#) [DMN13M9UCA6-7](#) [DMTH10H4M6SPS-13](#) [DMN2990UFB-7B](#)  
[IPB80P04P405ATMA2](#) [2N7002W-G](#) [MCAC30N06Y-TP](#) [MCQ7328-TP](#) [BXP7N65D](#) [BXP4N65F](#) [AOL1454G](#) [WMJ80N60C4](#) [BXP2N20L](#)  
[BXP2N65D](#) [BXT1150N10J](#) [BXT1700P06M](#) [TSM60NB380CP ROG](#) [RQ7L055BGTCR](#) [DMNH15H110SK3-13](#) [SLF10N65ABV2](#)  
[BSO203SP](#) [BSO211P](#) [IPA60R230P6](#) [IPA60R460CE](#)