

Plastic-Encapsulate Transistors

TRANSISTOR (NPN)

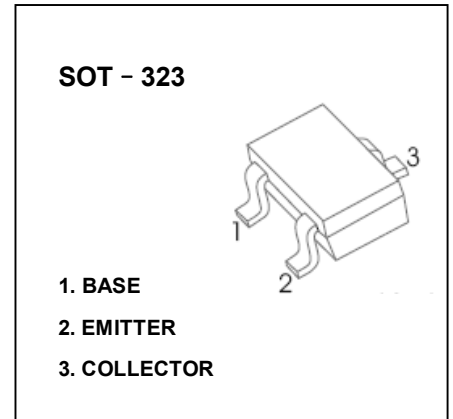
FEATURES

- Complementary to MMST5401
- Small Surface Mount Package
- Ideal for Medium Power Amplification and Switching

MARKING:K4N

MAXIMUM RATINGS ($T_a=25^\circ\text{C}$ unless otherwise noted)

| Symbol | Parameter | Value | Unit |
|-----------------|---|----------|---------------------------|
| V_{CBO} | Collector-Base Voltage | 180 | V |
| V_{CEO} | Collector-Emitter Voltage | 160 | V |
| V_{EBO} | Emitter-Base Voltage | 6 | V |
| I_C | Collector Current | 600 | mA |
| P_C | Collector Power Dissipation | 200 | mW |
| $R_{\theta JA}$ | Thermal Resistance From Junction To Ambient | 625 | $^\circ\text{C}/\text{W}$ |
| T_j | Junction Temperature | 150 | $^\circ\text{C}$ |
| T_{stg} | Storage Temperature | -55~+150 | $^\circ\text{C}$ |



ELECTRICAL CHARACTERISTICS ($T_a=25^\circ\text{C}$ unless otherwise specified)

| Parameter | Symbol | Test conditions | Min | Typ | Max | Unit |
|--------------------------------------|-----------------|---|-----|-----|------|------|
| Collector-base breakdown voltage | $V_{(BR)CBO}$ | $I_C=100\mu\text{A}, I_E=0$ | 180 | | | V |
| Collector-emitter breakdown voltage | $V_{(BR)CEO}^*$ | $I_C=1\text{mA}, I_B=0$ | 160 | | | V |
| Emitter-base breakdown voltage | $V_{(BR)EBO}$ | $I_E=10\mu\text{A}, I_C=0$ | 6 | | | V |
| Collector cut-off current | I_{CBO} | $V_{CB}=120\text{V}, I_E=0$ | | | 50 | nA |
| Emitter cut-off current | I_{EBO} | $V_{EB}=4\text{V}, I_C=0$ | | | 50 | nA |
| DC current gain | h_{FE} | $V_{CE}=5\text{V}, I_C=1\text{mA}$ | 80 | | | |
| | | $V_{CE}=5\text{V}, I_C=10\text{mA}$ | 80 | | 300 | |
| | | $V_{CE}=5\text{V}, I_C=50\text{mA}$ | 30 | | | |
| Collector-emitter saturation voltage | $V_{CE(sat)}$ | $I_C=50\text{mA}, I_B=5\text{mA}$ | | | 0.2 | V |
| | | $I_C=10\text{mA}, I_B=1\text{mA}$ | | | 0.15 | V |
| Base-emitter saturation voltage | $V_{BE(sat)}$ | $I_C=50\text{mA}, I_B=5\text{mA}$ | | | 1 | V |
| | | $I_C=10\text{mA}, I_B=1\text{mA}$ | | | 1 | V |
| Transition frequency | f_T | $V_{CE}=10\text{V}, I_C=10\text{mA}, f=100\text{MHz}$ | 100 | | 300 | MHz |
| Collector output capacitance | C_{ob} | $V_{CB}=10\text{V}, I_E=0, f=1\text{MHz}$ | | | 6 | pF |

*Pulse test: pulse width $\leq 300\mu\text{s}$, duty cycles $\leq 2.0\%$.

SOT-323 Package Outline Dimensions

X-ON Electronics

Largest Supplier of Electrical and Electronic Components

Click to view similar products for [Bipolar Transistors - BJT category](#):

Click to view products by [Hong Kong Chuangji manufacturer](#):

Other Similar products are found below :

[BC559C](#) [MCH4017-TL-H](#) [MMBT-2369-TR](#) [BC546/116](#) [NJVMJD148T4G](#) [NTE16](#) [NTE195A](#) [IMX9T110](#) [2N4401-A](#) [2N4403](#) [2N6728](#)
[2SA1419T-TD-H](#) [2SA2126-E](#) [2SB1204S-TL-E](#) [FMC5AT148](#) [2N2369ADCSM](#) [2N2907A](#) [2N3904-NS](#) [2N5769](#) [2SC4618TLN](#) [CPH6501-](#)
[TL-E](#) [MCH4021-TL-E](#) [Jantx2N5416](#) [US6T6TR](#) [BAX18/A52R](#) [BC556/112](#) [IMZ2AT108](#) [MMST8098T146](#) [UMX21NTR](#) [MCH6102-TL-E](#)
[TTA1452B,S4X\(S](#) [2N3879](#) [NTE13](#) [NTE282](#) [NTE323](#) [NTE350](#) [NTE81](#) [JANTX2N2920L](#) [JANTX2N3735](#) [JANSR2N2222AUB](#)
[CMLT3946EG TR](#) [SNSS40600CF8T1G](#) [CMLT3906EG TR](#) [GRP-DATA-JANS2N2907AUB](#) [GRP-DATA-JANS2N2222AUA](#)
[MMDT3946FL3-7](#) [2N4240](#) [JANS2N3019](#) [MSB30KH-13](#) [2N2221AUB](#)