

# SOT-23 Encapsulate Adjustable Reference Source

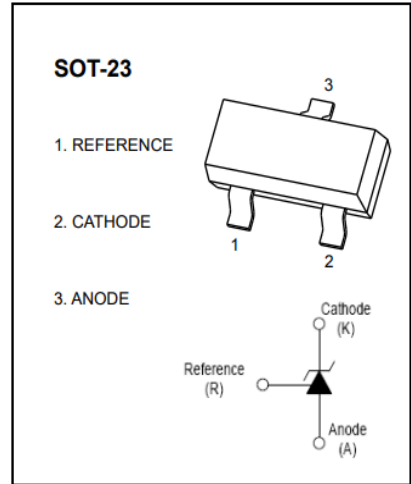
Adjustable Accurate Reference Source

## DEVICE DESCRIPTION

The TL432 is a three-terminal Shunt Voltage Reference providing a highly accurate 1.24V. The CJ432 thermal stability and wide operating current, makes it suitable for all variety of applications that are looking for a low cost solution with high performance.

## FEATURES

- Low dynamic output impedance
- The effective temperature compensation in the working range of full temperature
- Low output noise voltage
- Fast on -state response
- Sink current capability of 0.1mA to 100mA



## APPLICATION

- Shunt Regulator
- High-Current Shunt Regulator
- Precision Current Limiter

## ABSOLUTE MAXIMUM RATINGS (Operating temperature range applies unless otherwise specified)

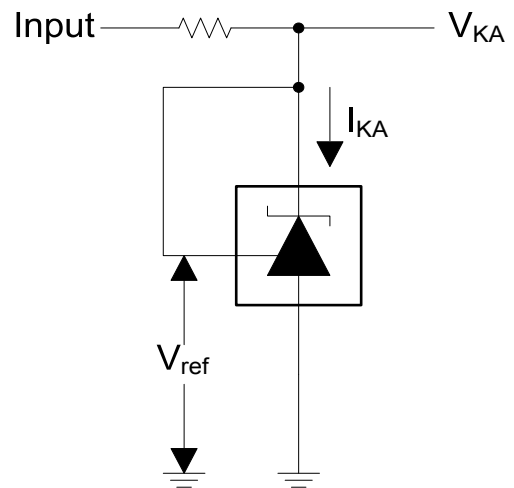
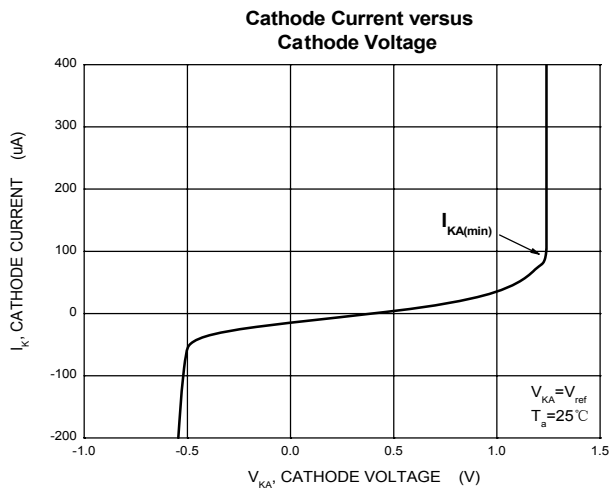
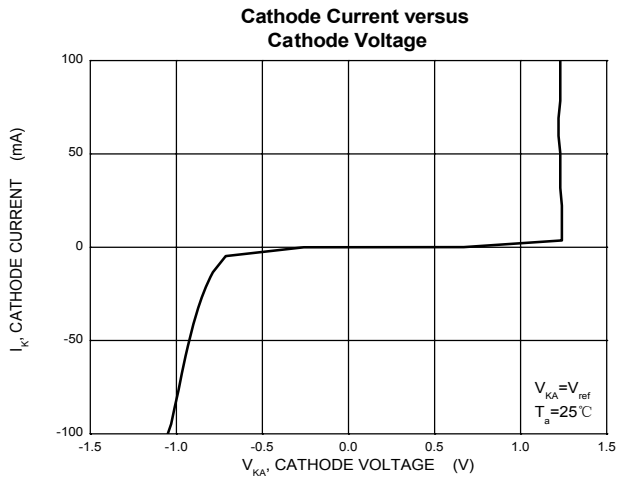
Parameter	Symbol	Value	Units
Cathode Voltage	$V_{KA}$	18	V
Cathode Current Range (continuous)	$I_{KA}$	100	mA
Reference Input Current Range	$I_{ref}$	6	$\mu A$
Power Dissipation	$P_D$	350	mW
Thermal Resistance from Junction to Ambient	$R_{\theta JA}$	357	$^{\circ}C/W$
Operating Temperature	$T_{opr}$	0~+70	$^{\circ}C$
Junction Temperature	$T_J$	150	$^{\circ}C$
Storage Temperature	$T_{stg}$	-65~+150	$^{\circ}C$

**ELECTRICAL CHARACTERISTICS (T<sub>a</sub>=25°C unless otherwise specified)**

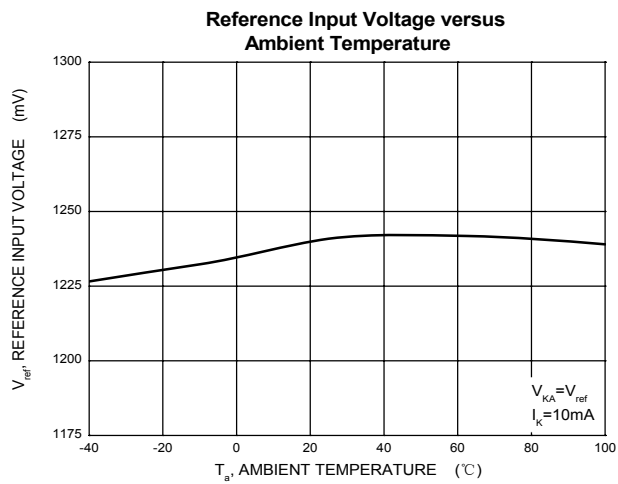
Parameter	Symbol	Test conditions	Min	Typ	Max	Unit
Reference input voltage (Fig 1)	V <sub>ref</sub>	V <sub>KA</sub> =V <sub>REF</sub> , I <sub>KA</sub> =10mA	1.2214		1.2586	V
Deviation of reference voltage over full temperature range (Fig 1)	ΔV <sub>ref(DEV)</sub>	V <sub>KA</sub> =V <sub>REF</sub> , I <sub>KA</sub> =10mA 0°C≤T <sub>a</sub> ≤70°C			16	mV
Ratio of change in reference input voltage to the change in cathode voltage (Fig 2)	ΔV <sub>ref</sub> /ΔV <sub>KA</sub>	I <sub>KA</sub> =10mA, ΔV <sub>KA</sub> =1.25V~15V			2.4	mV/V
Deviation of reference input current over full temperature range (Fig 2)	ΔI <sub>ref</sub> /ΔT	I <sub>KA</sub> =10mA, R <sub>1</sub> =10kΩ, R <sub>2</sub> =∞, 0°C≤T <sub>a</sub> ≤70°C			0.6	μA
Minimum cathode current for regulation (Fig 1)	I <sub>KA(min)</sub>	V <sub>KA</sub> =V <sub>REF</sub>			0.1	mA
Off-state cathode current(Fig 3)	I <sub>off</sub>	V <sub>KA</sub> =15V, V <sub>REF</sub> =0			0.5	μA
Dynamic impedance	Z <sub>KA</sub>	V <sub>KA</sub> =V <sub>REF</sub> , I <sub>KA</sub> =0.1 ~20mA, f≤1.0kHz			0.5	Ω

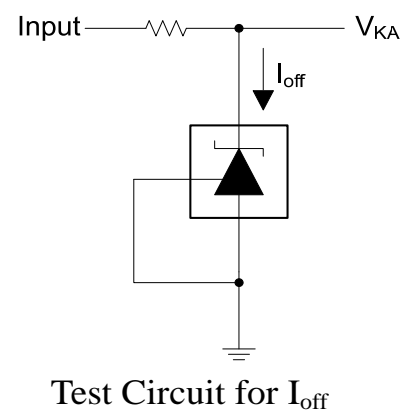
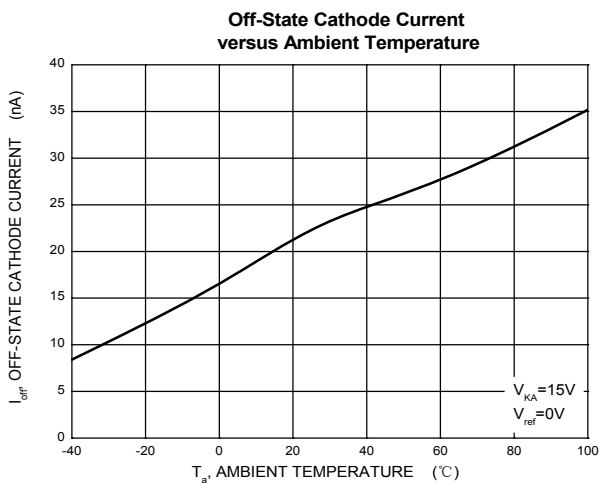
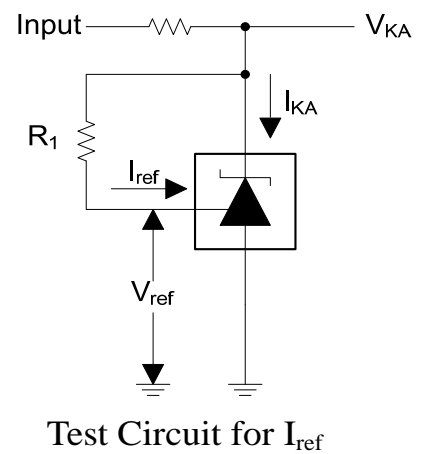
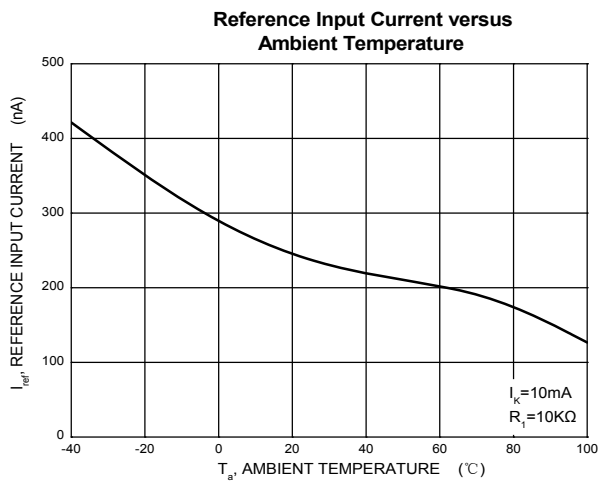
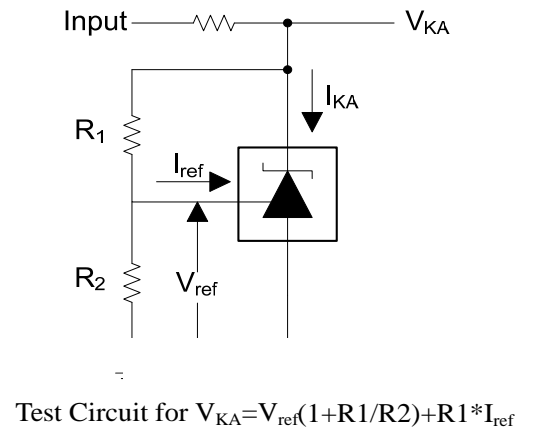
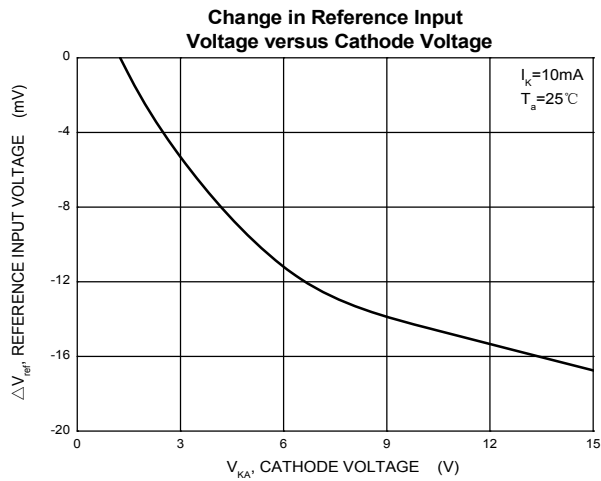
**CLASSIFICATION OF V<sub>ref</sub>**

Rank	1%	1.5%
Range	1.2276~1.2524	1.2214~1.2586



Test Circuit for  $V_{KA} = V_{ref}$





## **PACKAGE OUTLINE**

**Plastic surface mounted package; 3 leads**

**SOT-23**

## X-ON Electronics

Largest Supplier of Electrical and Electronic Components

*Click to view similar products for [Voltage References](#) category:*

*Click to view products by [Hong Kong Chuangji](#) manufacturer:*

Other Similar products are found below :

[5962-8686103XC](#) [REF01J/883](#) [SC431ILPRAG](#) [AP432AQG-7](#) [LM4040B25QFTA](#) [EL5226IR](#) [EL5326IR](#) [EL5326IRZ](#) [ISL21007DFB825Z](#)  
[ISL21009BFB812Z](#) [ISL21009CFB812Z](#) [ISL60002BIH312](#) [TS3320AMR](#) [TS3325AMR](#) [TS3330AMR](#) [TS3333AMR](#) [X60003CIG3-41](#)  
[X60003DIG3Z-41T1](#) [X60250V8I](#) [REF3025TB-GT3](#) [SC432BVSNT1G](#) [TL431CPG](#) [LM336Z-5.0](#) [MMTL432](#) [TL431A](#) [LR432ATLT1G](#)  
[TL432](#) [TL431A](#) [TL431NSG-AE2-R](#) [TL432](#) [TL431](#) [TL431](#) [CD431A](#) [TL432](#) [LM285M3-2.5/TR](#) [TL432AIM3/TR](#) [LM431AIM3/TR](#)  
[MC1403MM/TR](#) [TL431CM3/TR](#) [HT432ARTZ](#) [TL431Z-AST](#) [LTL431APKLT1G](#) [JD431A](#) [431S](#) [TL432](#) [WD431NTR-BG](#) [CJ431](#) [CD431](#)  
[TL431A 0.4%](#) [ADR4520ARZ-R7](#)