



RoHS


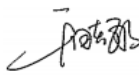

# Specification

Client Name: \_\_\_\_\_

Client P/N: \_\_\_\_\_

Factory P/N: HL-PST-1608PT1F

Sending Date: \_\_\_\_\_

Client approval			Hong li approval		
Approval	Audit	Confirmation	Approval	Audit	Confirmation
					
<input type="checkbox"/> Qualified <input type="checkbox"/> Unqualified			DATE: _____		

Adr: West side of Dongfeng Highway, Auto City, Huadu

District, Guangzhou, China

Tel: 020-86733333 (Switchboard)

Fax: 020-86733883 86733938 86733265

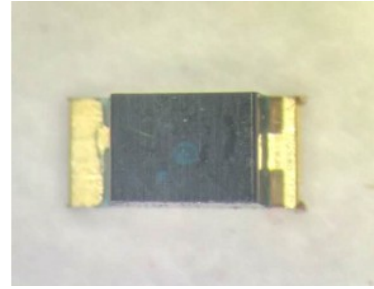
Web: [www.honglitronic.com](http://www.honglitronic.com)



# HL-PST-1608PT1F

## Features

- Extremely narrow viewing angle
- Suitable for all SMT assembly and solder process
- Available on tape and reel
- Moisture sensitivity level: Level 4
- RoHS compliant



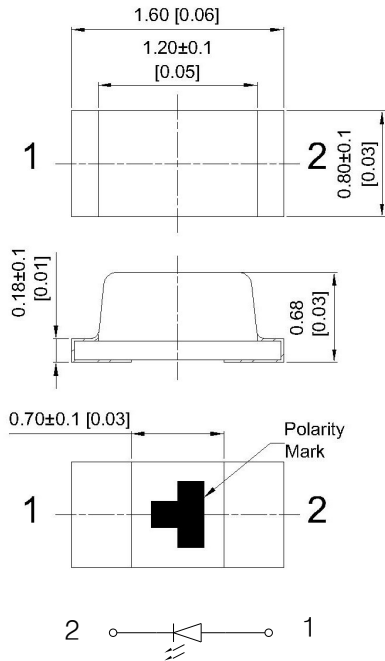
## Description

PT1C made with GaAs infrared chips

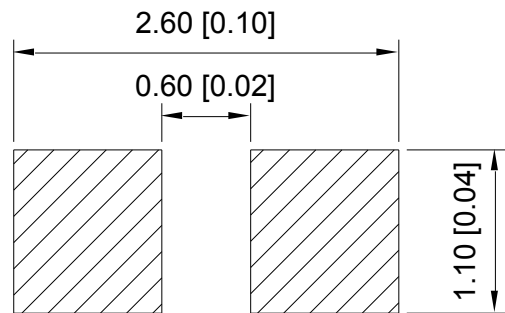


**ATTENTION**  
OBSERVE PRECAUTIONS  
FOR HANDLING  
ELECTROSTATIC  
DISCHARGE  
SENSITIVE  
DEVICES

## Package Dimensions



## Recommended Soldering Pattern



### Notes:

1. All dimension units are millimeters.
2. All dimension tolerance is ±0.15mm unless otherwise noted.



## HL-PST-1608PT1F

### Electrical / Optical Characteristics at TA=25°C

Symbol	Parameter	Min	Typ	Max	Units	Test Conditions
$V_{BR\ CE0}$	Collector-Emitter Breakdown Voltage	30	-	100	V	$I_c=100\mu A$ $E_e=0mW/cm^2$
$V_{BR\ ECO}$	Emitter-to-Collector Breakdown Voltage	6.5	-	-	V	$I_e=100\mu A$ $E_e=0mW/cm^2$
$V_{CE(SAT)}$	Collector-to-Emitter Saturation Voltage	-	-	0.2	V	$I_c=100\mu A$ $E_e=20mW/cm^2$
$I_{CEO}$	Collector Dark Current	-	-	100	nA	$V_{CE}=100\mu A$ $E_e=0mW/cm^2$
$T_R$	Rise Time (10% to 90%)	-	15	-	us	$V_{CE}=5V$ $I_C=1mA$ $R_L=1000\Omega$
$T_F$	Fall Time (90% to 10%)	-	15	-	us	
$I_{(ON)}$	On State Collector Current	0.1	0.5	-	mA	$V_{CE}=5V$ $E_e=1mW/cm^2$ $\lambda=940nm$

Symbol (符号)	Parameter (参数)	Min (最小)	Max (最大)	Units (单位)	Test Conditions 测试条件
$I_{CE}$	On State Collector Current (接收器电流)	2	2.5	mA	$V_{CE}=5V$ $E_e=1mW/cm^2$ $\lambda=940nm$
		2.5	3		
		3	3.5		

### Absolute Maximum ratings at Ta=25°C

Parameter	Max Ratings
Collector-to-Emitter Breakdown Voltage	55V
Emitter-to-Collector Breakdown Voltage	6.5V
Power Dissipation at (or below) 25°C Free Air Temperature	100mW
Operating Temperature Range	-30°C~80°C
Storage Temperature Range	-30°C~80°C
Lead Soldering Temperature (>3mm for 5sec)	260°C

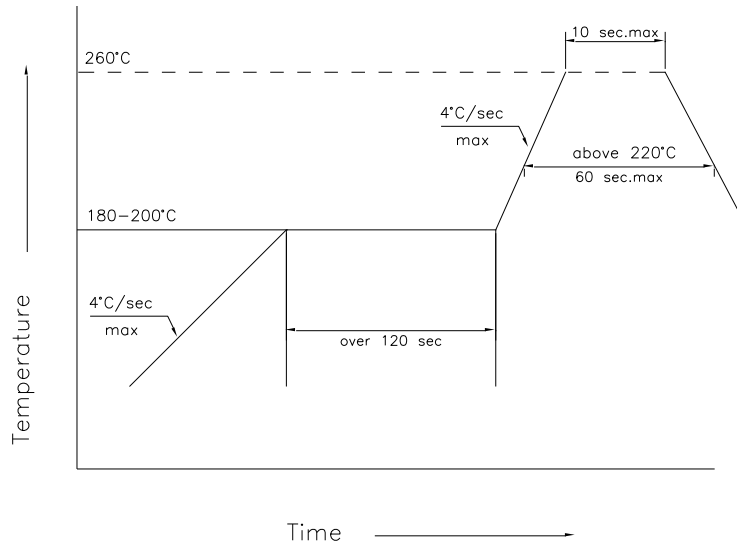
Note:

- 1/10 Duty cycle, 0.1ms pulse width.
- The above forward voltage measurement allowance tolerance  $\pm 0.1V$ .



## HL-PST-1608PT1F

### SMT Reflow Soldering Instructions



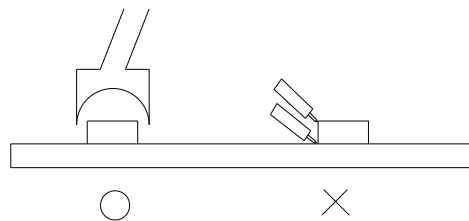
1. Reflow soldering should not be done more than two times
2. When soldering, do not put stress on the LEDs during heating

### Soldering iron

1. When hand soldering, the temperature of the iron must be less than 300°C for 3 seconds
2. The hand solder should be done only one time

### Repairing

Repair should not be done after the LEDs have been soldered. When repairing is unavoidable, a double-head soldering iron should be used (as below figure). It should be confirmed beforehand whether the characteristics of LEDs will or will not be damaged by repairing.



# HL-PST-1608PT1F

## Label

IV: Luminous intensity rank  
WD: Dominate Wavelength  
VF: Forward voltage rank



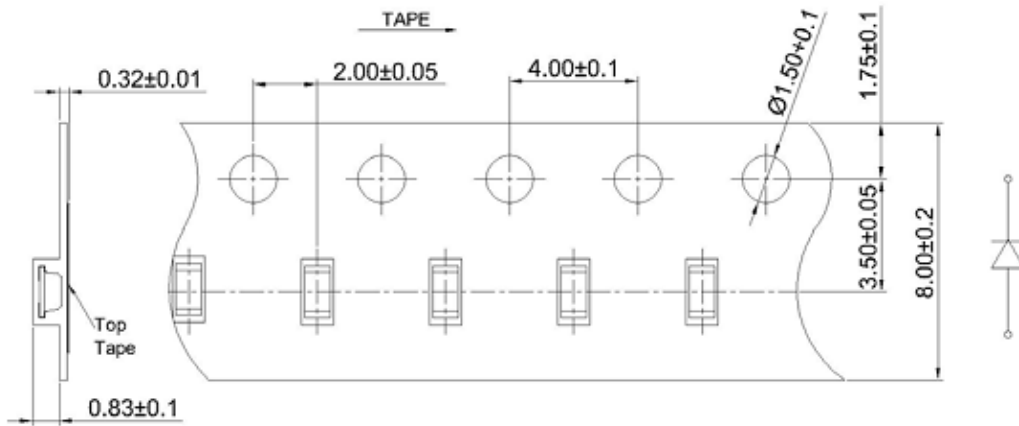
**HONGLITRONIC**  
鸿利光电

RoHS

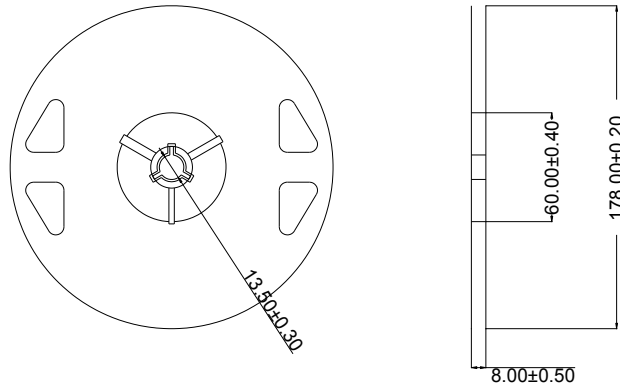
Part No: XXXXXXXXXXXXXXXXXXXX  
IV:           VF:           WD:  
Quantity:  
Sealing date: XXXXXXXXXXXXXXXXXXXX



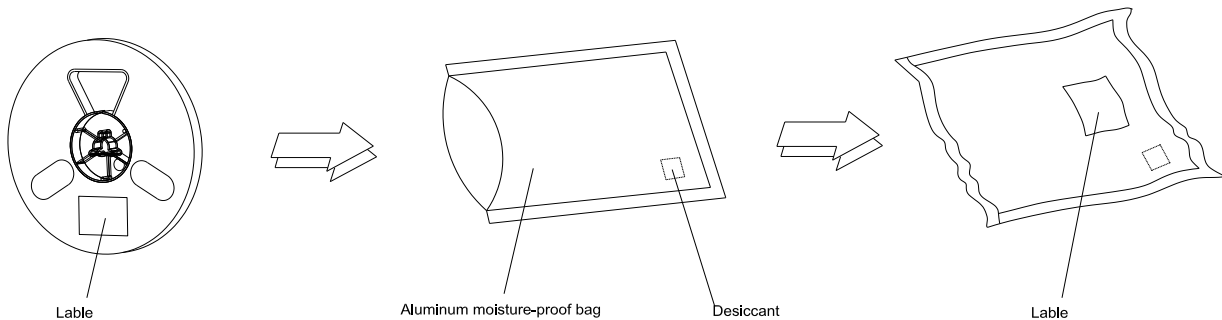
## Tape Specifications (Units : mm)



## Reel Dimensions



## Moisture Resistant Packaging



Note: The tolerances unless mentioned is  $\pm 0.1\text{mm}$ , Unit: mm



修订次数	修订人	修订内容	修订日期	版次
1				
2				
3				
4				
5				
6				
7				
8				
9				
10				
11				
12				
13				
14				
15				
16				
17				
18				
19				
20				
21				
22				
23				
24				
25				
26				

## X-ON Electronics

Largest Supplier of Electrical and Electronic Components

*Click to view similar products for [Infrared Receivers](#) category:*

*Click to view products by [Hongli Zhihui](#) manufacturer:*

Other Similar products are found below :

[TSOP38436](#) [TSOP6136TR](#) [TSOP2456](#) [TSOP31456](#) [TSOP34356](#) [TSOP34456](#) [TSOP38336](#) [TSOP6130TT](#) [TSOP6940TT](#) [TSOP34438SS1V](#)  
[GP1UX511QS](#) [TSOP34336SS1F](#) [TSSP57038ETT1](#) [TSOP57438ETT1](#) [TSOP37438HTT1](#) [TSOP6140TR](#) [TSOP53356](#) [TSOP53238](#)  
[TSOP33238](#) [TSOP33256](#) [TSOP53256](#) [TSOP33138](#) [TSOP6133TT](#) [HL-PST-1608PT1F](#) [PT2424-6B](#) [TSOP37540QHTT1](#)  
[E6C0805PRAC1UDA](#) [TSOP31136](#) [TSOP31140](#) [TSOP75238WTT](#) [RPM5537-H14E2A](#) [RPM6937-V4](#) [RPM7136-H4R](#) [RPM7238-H5R](#)  
[TSOP4156](#) [TSOP6156TR](#) [TSOP75336WTT](#) [TSOP75338TR](#) [TSSP77038TT](#) [PD70-01C/TR7](#) [TSSP57P38TT1](#) [GP1UE292QKVF](#)  
[GP1UM281XKVF](#) [GP1UM287RKVF](#) [GP1UM287XK](#) [TSOP59438](#) [TSOP58336](#) [TSOP38156](#) [PT19-21B/L41/TR8](#) [TSOP37236HTT1](#)