

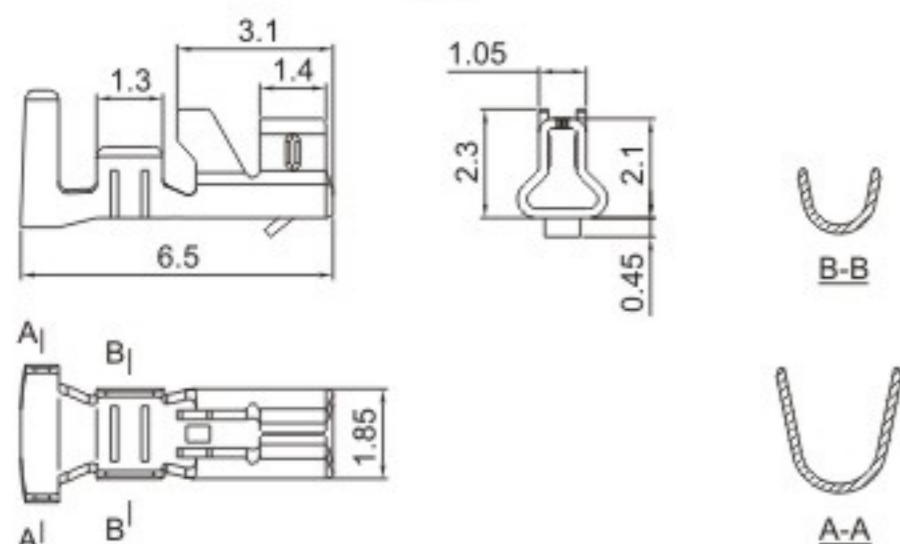
技术参数 SPECIFICATIONS

- 线数 (Poles) : 2~15
- 适用线规 (Applicable wires) : AWG28# ~20#
- 适应基板厚度 (Applicable PC board thickness) : 1.6mm
- 温度范围 (Temperature range) : -25℃~85℃
- 额定电压 (Voltage rating) : 250V.Ac/Dc
- 额定电流 (Current rating) : 3A
- 接触电阻 (Contact resistance) : ≤0.02Ω
- 绝缘电阻 (Insulation resistance) : ≥1000MΩ
- 耐压 (Withstand voltage) : 1000V.Ac/1min
- 材料 (Material) :
 - 孔座 (Housing) : 尼龙 (PA66) UL94V-2(0)
 - 针座 (Wafer) : 尼龙 (PA66) UL94V-2(0)
 - 插片 (Retainer) : 尼龙 (PA66) UL94V-2(0)
 - 端子 (Terminal) : 磷青铜 (Phos.bronze Tin/plated)

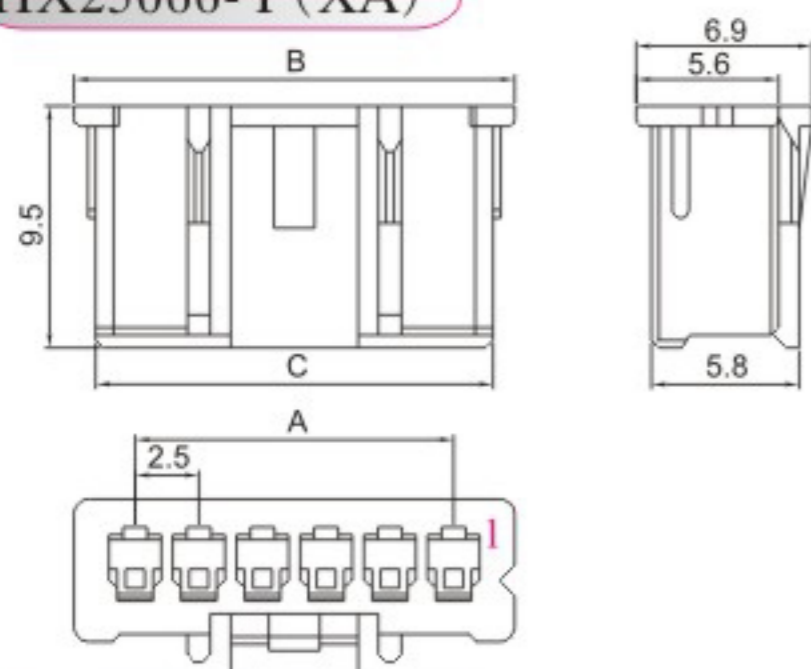
端子 TERMINAL (XA)

| 型号 Type | 适用线规 Applicable wires | | 电线外径 O.D of wire ins mm | 数量 Quantity |
|------------|--------------------------|-------|-------------------------------|----------------|
| | mm ² | AWG# | | |
| HX25066-PT | 0.08~0.50 | 28~20 | 1.2~1.9 | 7000PCS/盘 |

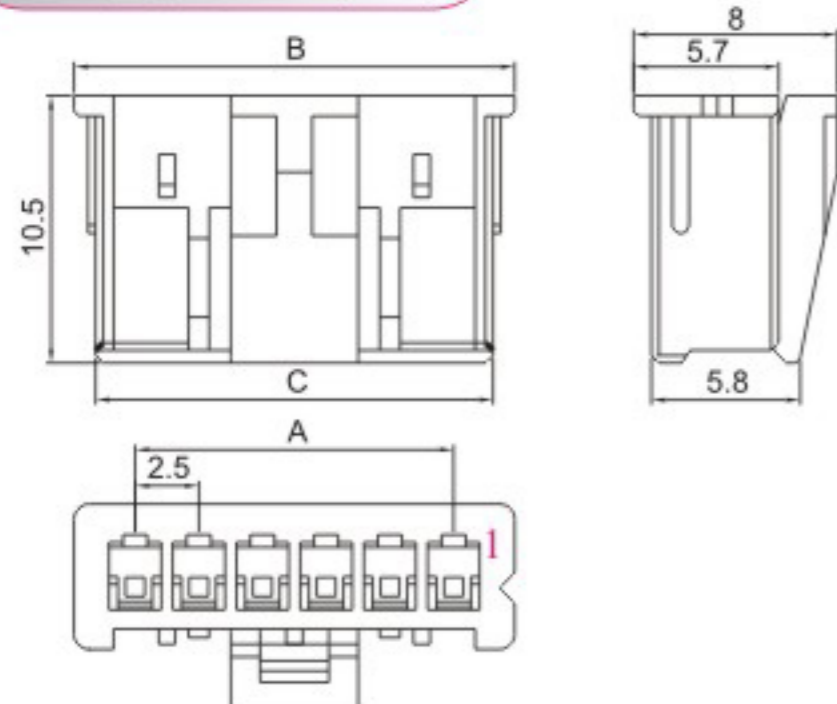
HX25066-PT (XA)



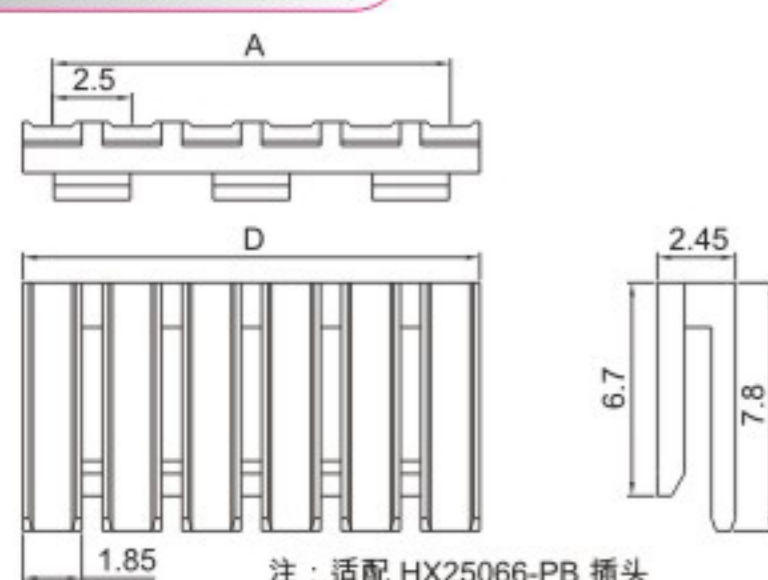
HX25066-Y (XA)



HX25066-PB (XA)

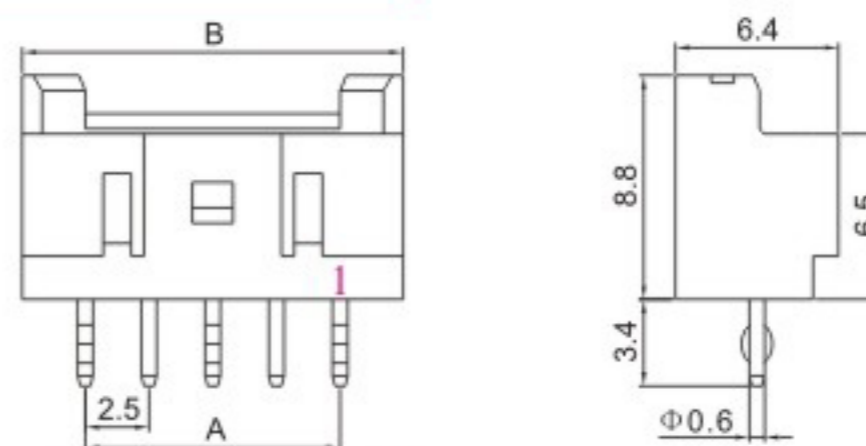


HX25066-S (XA)

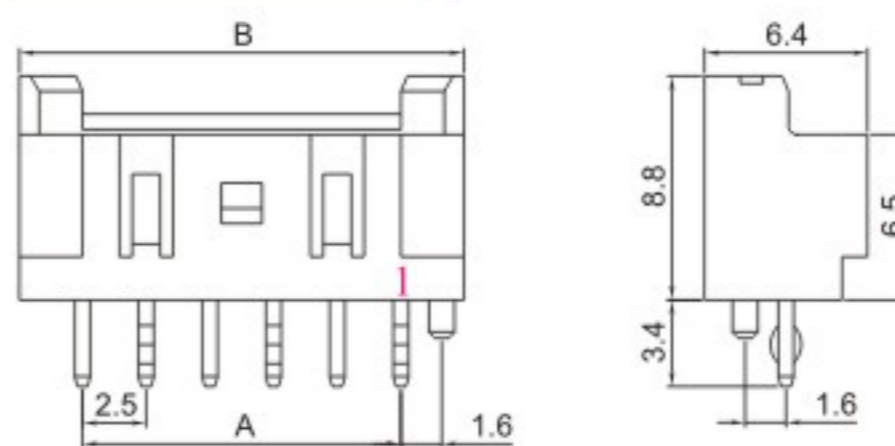


注: 适配 HX25066-PB 插头

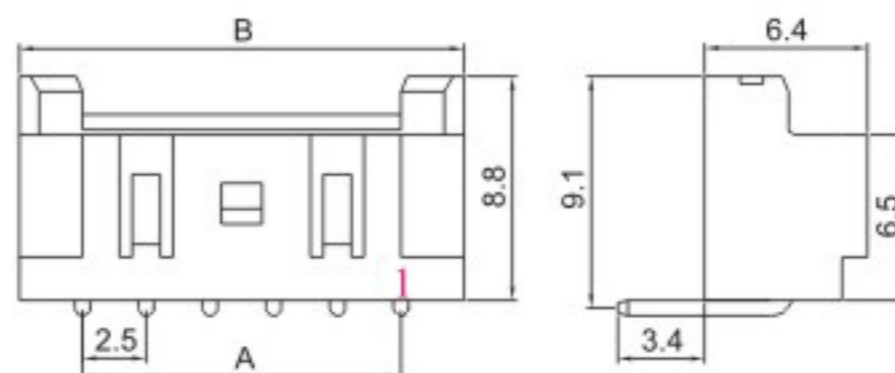
HX25066-A (XA)



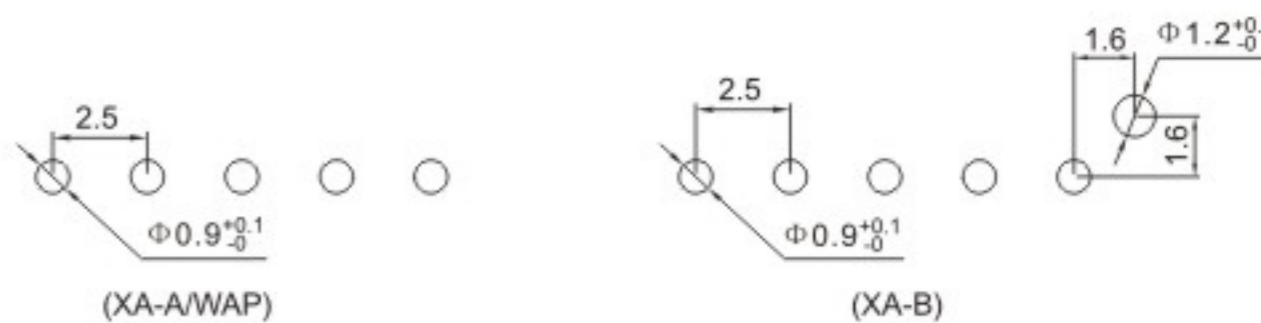
HX25066-B (XA)



HX25066-WAP (XA)



安装尺寸 MOUNTING MEASUREMENT



孔座 HOUSING (XA)

| 线数 Poles | 型号 Type | 尺寸Dimensions(mm) | | | |
|-------------|------------------|------------------|------|------|-------|
| | | A | B | C | D |
| 2 | HX25066-2Y/PB/S | 2.5 | 7.3 | 5.6 | 4.35 |
| 3 | HX25066-3Y/PB/S | 5.0 | 9.8 | 8.1 | 6.85 |
| 4 | HX25066-4Y/PB/S | 7.5 | 12.3 | 10.6 | 9.35 |
| 5 | HX25066-5Y/PB/S | 10.0 | 14.8 | 13.1 | 11.85 |
| 6 | HX25066-6Y/PB/S | 12.5 | 17.3 | 15.6 | 14.35 |
| 7 | HX25066-7Y/PB/S | 15.0 | 19.8 | 18.1 | 16.85 |
| 8 | HX25066-8Y/PB/S | 17.5 | 22.3 | 20.6 | 19.35 |
| 9 | HX25066-9Y/PB/S | 20.0 | 24.8 | 23.1 | 21.85 |
| 10 | HX25066-10Y/PB/S | 22.5 | 27.3 | 25.6 | 24.35 |
| 11 | HX25066-11Y/PB/S | 25.0 | 29.8 | 28.1 | 26.85 |
| 12 | HX25066-12Y/PB/S | 27.5 | 32.3 | 30.6 | 29.35 |
| 13 | HX25066-13Y/PB/S | 30.0 | 34.8 | 33.1 | 31.85 |
| 14 | HX25066-14Y/PB/S | 32.5 | 37.3 | 35.6 | 34.35 |
| 15 | HX25066-15Y/PB/S | 35.0 | 39.8 | 38.1 | 36.85 |

针座 WAFER (XA)

| 线数 Poles | 型号 Type | | 尺寸Dimensions(mm) | |
|-------------|---------------|---------------|------------------|------|
| | 直式 (180°) | 弯式 (90°) | A | B |
| 2 | HX25066-2A/B | HX25066-2WAP | 2.5 | 7.5 |
| 3 | HX25066-3A/B | HX25066-3WAP | 5.0 | 10.0 |
| 4 | HX25066-4A/B | HX25066-4WAP | 7.5 | 12.5 |
| 5 | HX25066-5A/B | HX25066-5WAP | 10.0 | 15.0 |
| 6 | HX25066-6A/B | HX25066-6WAP | 12.5 | 17.5 |
| 7 | HX25066-7A/B | HX25066-7WAP | 15.0 | 20.0 |
| 8 | HX25066-8A/B | HX25066-8WAP | 17.5 | 22.5 |
| 9 | HX25066-9A/B | HX25066-9WAP | 20.0 | 25.0 |
| 10 | HX25066-10A/B | HX25066-10WAP | 22.5 | 27.5 |
| 11 | HX25066-11A/B | HX25066-11WAP | 25.0 | 30.0 |
| 12 | HX25066-12A/B | HX25066-12WAP | 27.5 | 32.5 |
| 13 | HX25066-13A/B | HX25066-13WAP | 30.0 | 35.0 |
| 14 | HX25066-14A/B | HX25066-14WAP | 32.5 | 37.5 |
| 15 | HX25066-15A/B | HX25066-15WAP | 35.0 | 40.0 |

X-ON Electronics

Largest Supplier of Electrical and Electronic Components

Click to view similar products for [Headers & Wire Housings](#) category:

Click to view products by [Hongxing](#) manufacturer:

Other Similar products are found below :

[57102-F02-18ULF](#) [58102-G61-06LF](#) [582553-1](#) [009176003701906](#) [01.001.5753.1](#) [0050291907](#) [02.125.8002.8](#) [609-3404](#) [61062-3](#)
[CSU011177004](#) [622-0430](#) [622-3653LF](#) [63453-116](#) [636-1030](#) [636-1427](#) [636-3427](#) [636-4007](#) [641938-9](#) [644827-2](#) [65495-038](#) [65692-001LF](#)
[65781-018](#) [65781-047](#) [65817-010LF](#) [65817-015LF](#) [66207-023LF](#) [67095-007LF](#) [67601157](#) [68631-112](#) [68645-018](#) [699319-000](#)
[M90C108951C](#) [70.362.1628.0](#) [70-4210](#) [70-4226B](#) [70-4853B](#) [707-5028](#) [71.350.2428.0](#) [71961-016LF](#) [733-134](#) [733-162](#) [754199-000](#) [760-](#)
[3052](#) [80.063.4001.1](#) [800-90-001-10-001000](#) [800-90-010-10-002000](#) [801-43-002-10-013000](#) [801-43-006-10-002000](#) [803-41-018-10-001000](#)
[803-43-024-10-001000](#)