

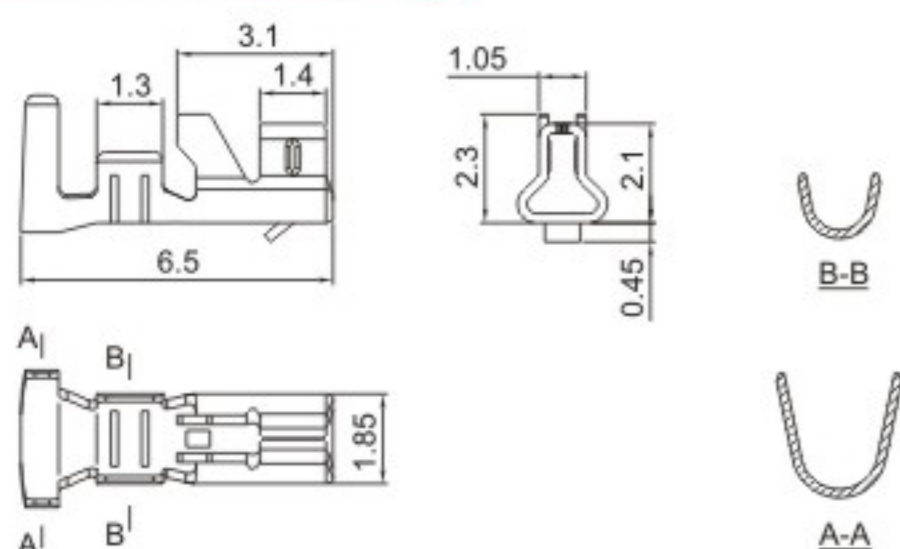
### 技术参数 SPECIFICATIONS

- 线数 (Poles) : 2~15
- 适用线规 (Applicable wires) : AWG28# ~20#
- 适应基板厚度 (Applicable PC board thickness) : 1.6mm
- 温度范围 (Temperature range) : -25℃~85℃
- 额定电压 (Voltage rating) : 250V.Ac/Dc
- 额定电流 (Current rating) : 3A
- 接触电阻 (Contact resistance) :  $\leq 0.02\Omega$
- 绝缘电阻 (Insulation resistance) :  $\geq 1000M\Omega$
- 耐压 (Withstand voltage) : 1000V.Ac/1min
- 材料 (Material) :
  - 孔座 (Housing) : 尼龙 (PA66) UL94V-2(0)
  - 针座 (Wafer) : 尼龙 (PA66) UL94V-2(0)
  - 插片 (Retainer) : 尼龙 (PA66) UL94V-2(0)
  - 端子 (Terminal) : 磷青铜 (Phos.bronze Tin/plated)

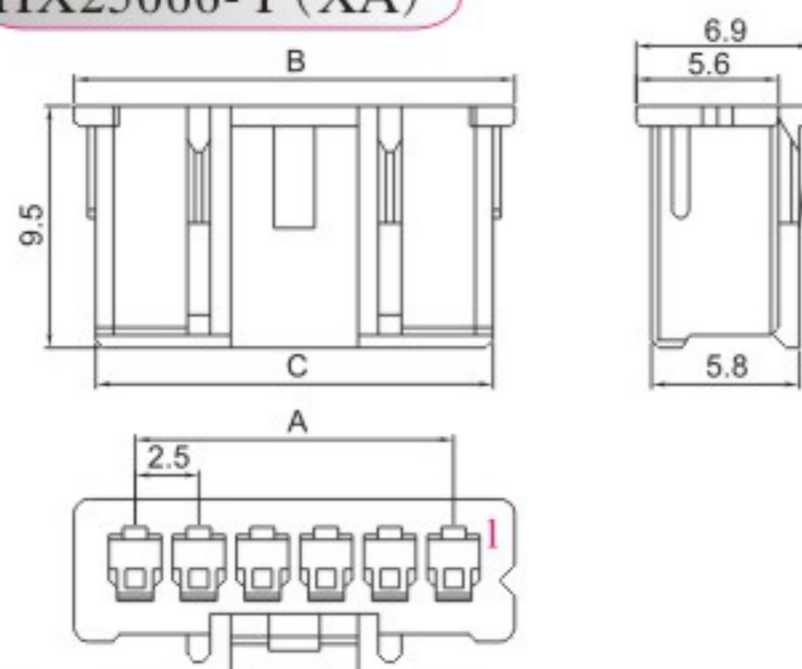
#### 端子 TERMINAL (XA)

| 型号<br>Type | 适用线规<br>Applicable wires |       | 电线外径<br>O.D of wire ins<br>mm | 数量<br>Quantity |
|------------|--------------------------|-------|-------------------------------|----------------|
|            | mm <sup>2</sup>          | AWG#  |                               |                |
| HX25066-PT | 0.08~0.50                | 28~20 | 1.2~1.9                       | 7000PCS/盘      |

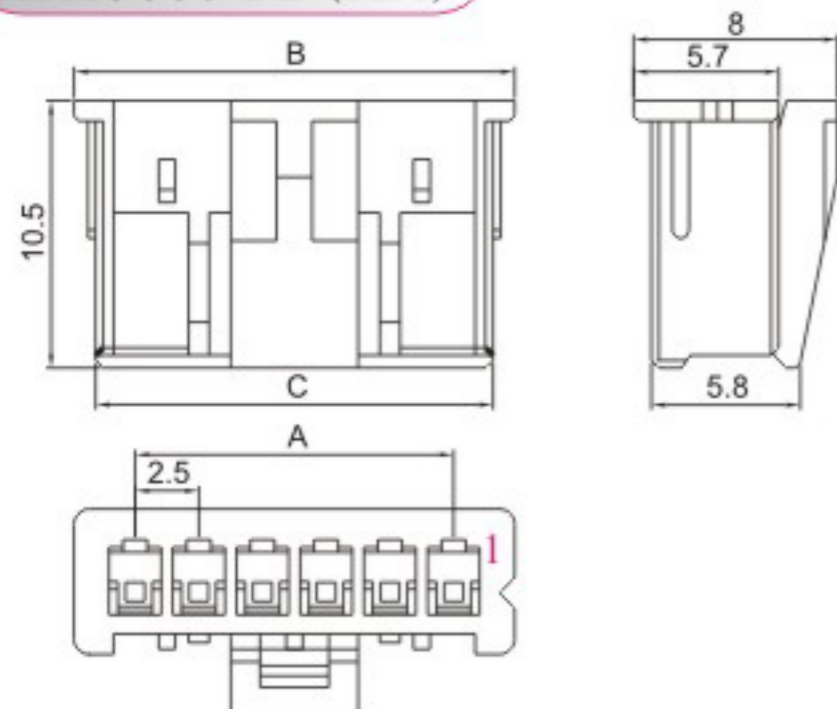
#### HX25066-PT (XA)



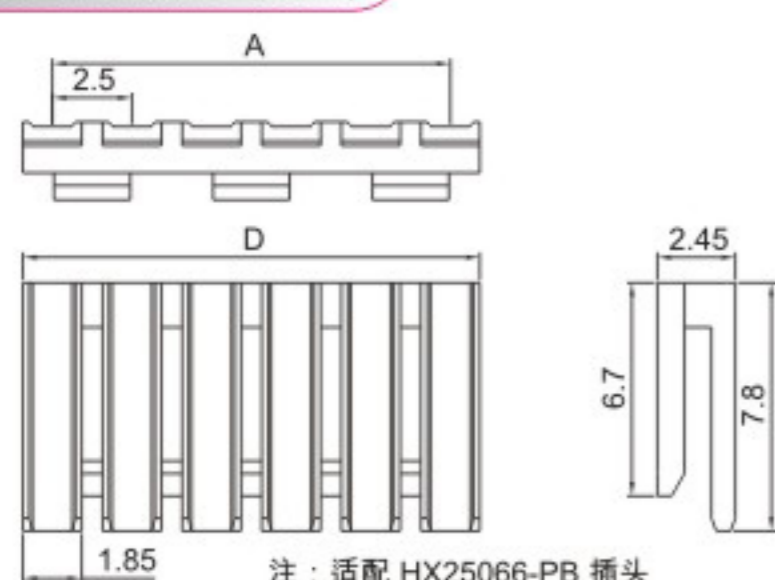
#### HX25066-Y (XA)



#### HX25066-PB (XA)

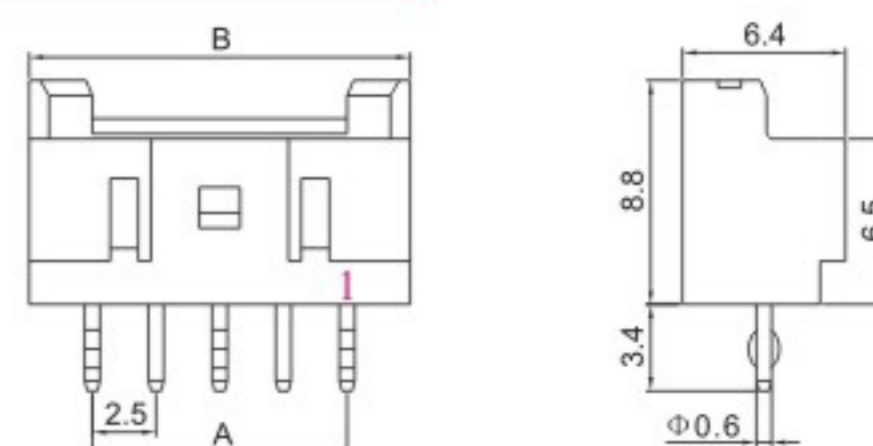


#### HX25066-S (XA)

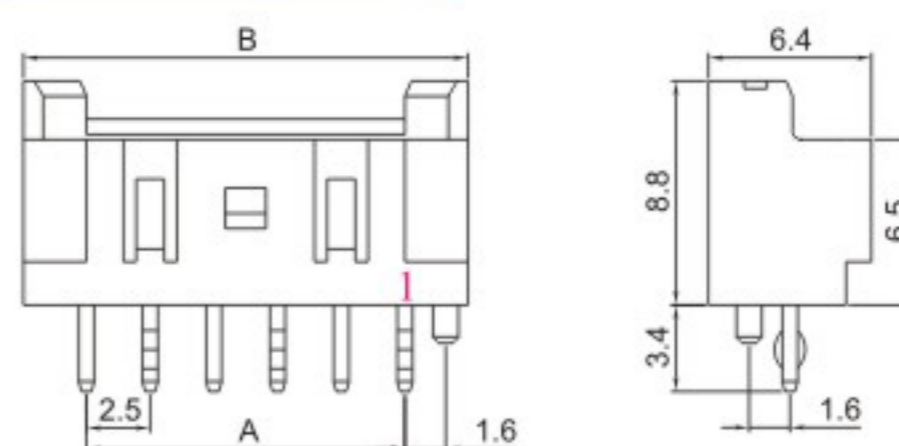


注: 适配 HX25066-PB 插头

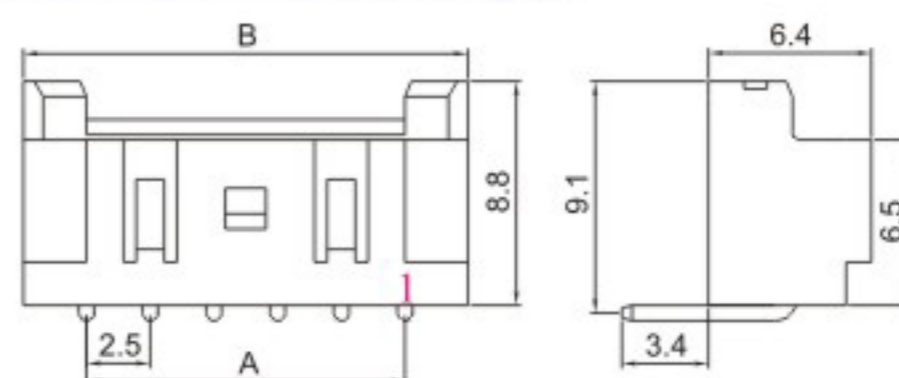
#### HX25066-A (XA)



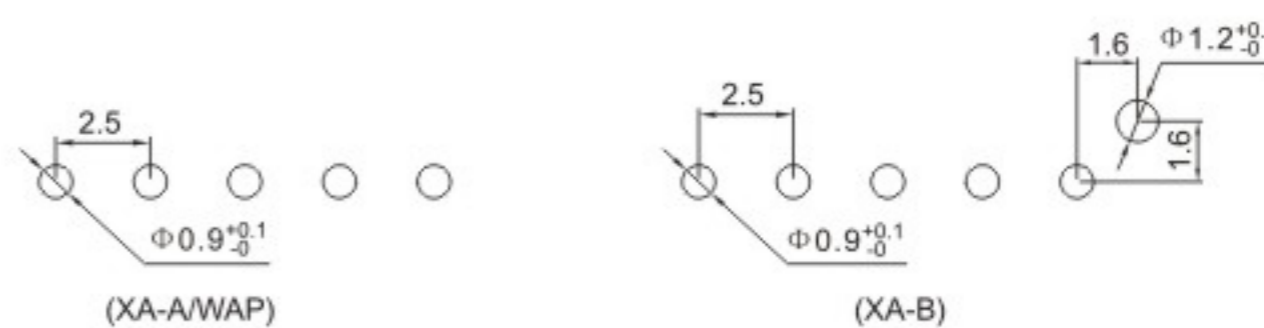
#### HX25066-B (XA)



#### HX25066-WAP (XA)



### 安装尺寸 MOUNTING MEASUREMENT



#### 孔座 HOUSING (XA)

| 线数<br>Poles | 型号<br>Type       | 尺寸Dimensions(mm) |      |      |       |
|-------------|------------------|------------------|------|------|-------|
|             |                  | A                | B    | C    | D     |
| 2           | HX25066-2Y/PB/S  | 2.5              | 7.3  | 5.6  | 4.35  |
| 3           | HX25066-3Y/PB/S  | 5.0              | 9.8  | 8.1  | 6.85  |
| 4           | HX25066-4Y/PB/S  | 7.5              | 12.3 | 10.6 | 9.35  |
| 5           | HX25066-5Y/PB/S  | 10.0             | 14.8 | 13.1 | 11.85 |
| 6           | HX25066-6Y/PB/S  | 12.5             | 17.3 | 15.6 | 14.35 |
| 7           | HX25066-7Y/PB/S  | 15.0             | 19.8 | 18.1 | 16.85 |
| 8           | HX25066-8Y/PB/S  | 17.5             | 22.3 | 20.6 | 19.35 |
| 9           | HX25066-9Y/PB/S  | 20.0             | 24.8 | 23.1 | 21.85 |
| 10          | HX25066-10Y/PB/S | 22.5             | 27.3 | 25.6 | 24.35 |
| 11          | HX25066-11Y/PB/S | 25.0             | 29.8 | 28.1 | 26.85 |
| 12          | HX25066-12Y/PB/S | 27.5             | 32.3 | 30.6 | 29.35 |
| 13          | HX25066-13Y/PB/S | 30.0             | 34.8 | 33.1 | 31.85 |
| 14          | HX25066-14Y/PB/S | 32.5             | 37.3 | 35.6 | 34.35 |
| 15          | HX25066-15Y/PB/S | 35.0             | 39.8 | 38.1 | 36.85 |

#### 针座 WAFER (XA)

| 线数<br>Poles | 型号 Type       |               | 尺寸Dimensions(mm) |      |
|-------------|---------------|---------------|------------------|------|
|             | 直式 (180°)     | 弯式 (90°)      | A                | B    |
| 2           | HX25066-2A/B  | HX25066-2WAP  | 2.5              | 7.5  |
| 3           | HX25066-3A/B  | HX25066-3WAP  | 5.0              | 10.0 |
| 4           | HX25066-4A/B  | HX25066-4WAP  | 7.5              | 12.5 |
| 5           | HX25066-5A/B  | HX25066-5WAP  | 10.0             | 15.0 |
| 6           | HX25066-6A/B  | HX25066-6WAP  | 12.5             | 17.5 |
| 7           | HX25066-7A/B  | HX25066-7WAP  | 15.0             | 20.0 |
| 8           | HX25066-8A/B  | HX25066-8WAP  | 17.5             | 22.5 |
| 9           | HX25066-9A/B  | HX25066-9WAP  | 20.0             | 25.0 |
| 10          | HX25066-10A/B | HX25066-10WAP | 22.5             | 27.5 |
| 11          | HX25066-11A/B | HX25066-11WAP | 25.0             | 30.0 |
| 12          | HX25066-12A/B | HX25066-12WAP | 27.5             | 32.5 |
| 13          | HX25066-13A/B | HX25066-13WAP | 30.0             | 35.0 |
| 14          | HX25066-14A/B | HX25066-14WAP | 32.5             | 37.5 |
| 15          | HX25066-15A/B | HX25066-15WAP | 35.0             | 40.0 |

## X-ON Electronics

Largest Supplier of Electrical and Electronic Components

*Click to view similar products for [Headers & Wire Housings](#) category:*

*Click to view products by [Hongxing](#) manufacturer:*

Other Similar products are found below :

[0015917161](#) [0022155065](#) [57102-F02-18ULF](#) [58102-G61-06LF](#) [582553-1](#) [01.001.5753.1](#) [0050291907](#) [02.125.8002.8](#) [609-3404](#) [61062-3](#)  
[CSU011177004](#) [622-0430](#) [622-3653LF](#) [63453-116](#) [636-1030](#) [636-1427](#) [636-3427](#) [636-4007](#) [641938-9](#) [65495-038](#) [65692-001LF](#) [65781-018](#)  
[65781-047](#) [65817-010LF](#) [65817-015LF](#) [67095-007LF](#) [67601157](#) [68631-112](#) [68645-018](#) [699319-000](#) [70.362.1628.0](#) [70-4210](#) [70-4226B](#) [70-](#)  
[4853B](#) [71.350.2428.0](#) [733-134](#) [733-162](#) [760-3052](#) [MHR-64-VUAL](#) [80.063.4001.1](#) [800-90-001-10-001000](#) [801-43-002-10-013000](#)  
[801-43-006-10-002000](#) [803-43-024-10-001000](#) [803-93-012-10-001000](#) [8-1437020-4](#) [819-22-004-30-001101](#) [820-22-006-30-001101](#)  
[820-22-008-30-001101](#) [821-22-002-10-001101](#)