

### ■ 技术参数 SPECIFICATIONS

- 线数 (Poles) : 4~40
- 适用线规 (Applicable wires) : AWG28#~20#
- 适应基板厚度 (Applicable PC board thickness) : 1.6mm
- 温度范围 (Temperature range) : -25℃~85℃
- 额定电压 (Voltage rating) : 250V.Ac/Dc
- 额定电流 (Current rating) : 3A
- 接触电阻 (Contact resistance) : ≤0.02Ω
- 绝缘电阻 (Insulation resistance) : ≥1000MΩ
- 耐压 (Withstand voltage) : 1000V.Ac/1min
- 材料 (Material) :
  - 孔座 (Housing) : 尼龙 (PA66) UL94V-2(0)
  - 针座 (Wafer) : 尼龙 (PA66) UL94V-2(0)
  - 端子 (Terminal) : 磷青铜 (Phos.bronze Tin/plated)



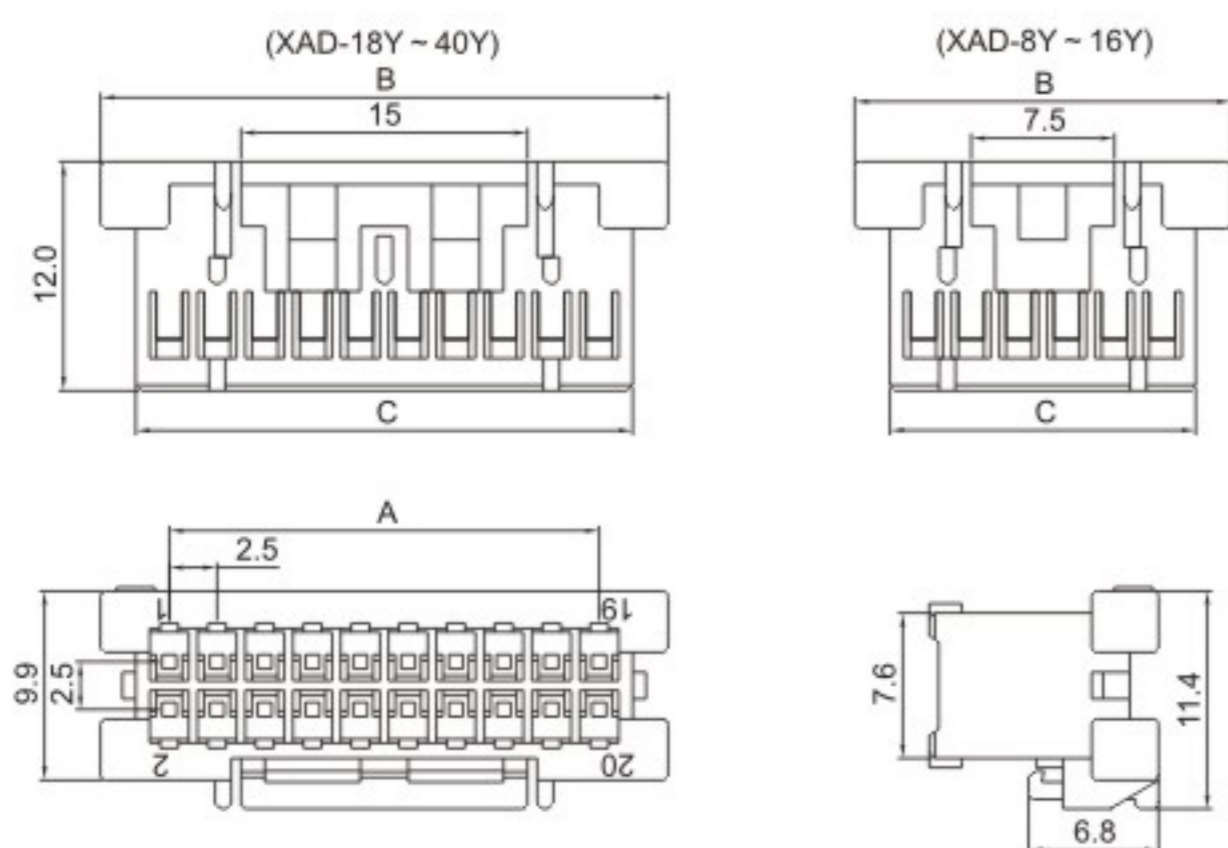
#### 端子 TERMINAL (XA)

| 型号<br>Type | 适用线规<br>Applicable wires |       | 电线外径<br>O.D of wire ins<br>mm | 数量<br>Quantity |
|------------|--------------------------|-------|-------------------------------|----------------|
|            | mm <sup>2</sup>          | AWG#  |                               |                |
| HX25066-PT | 0.08~0.50                | 28~20 | 1.2~1.9                       | 7000PCS/盘      |

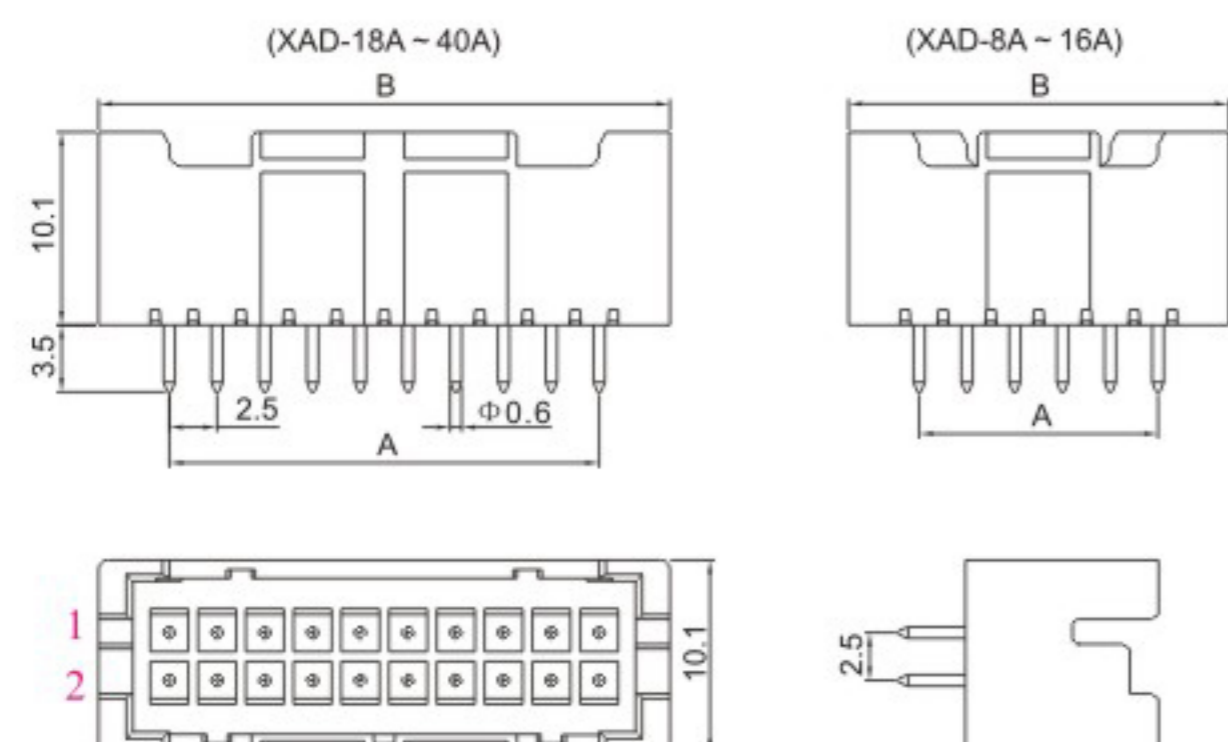
#### HX25066-PT (XA)



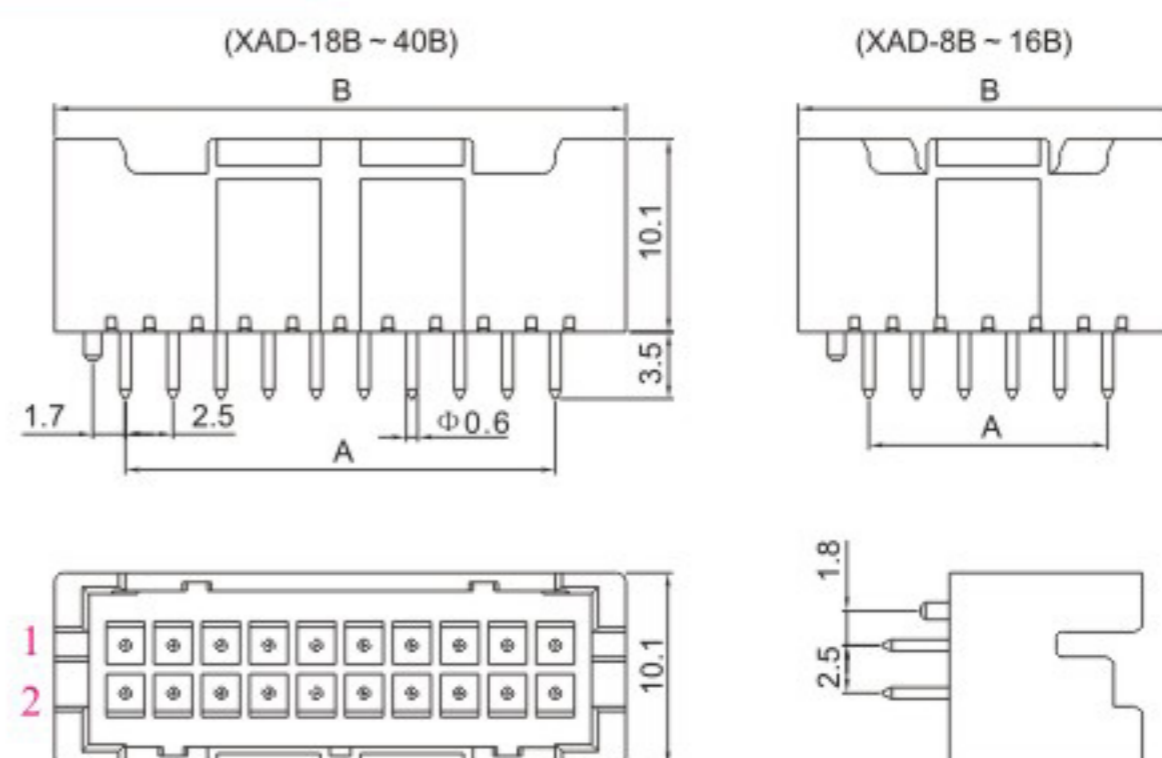
#### HX25068-Y (XAD)



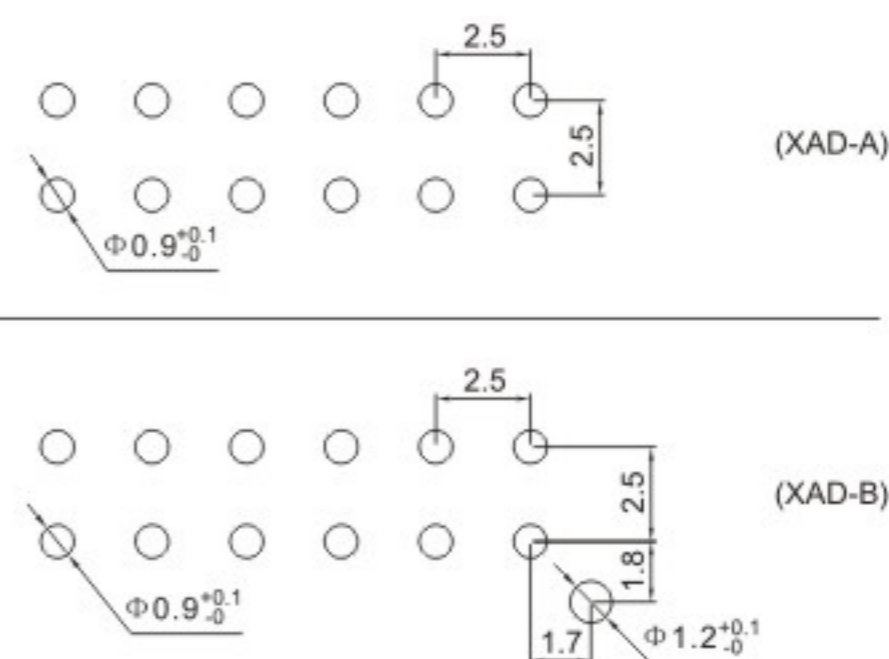
#### HX25068-A (XAD)



#### HX25068-B (XAD)



### ■ 安装尺寸 MOUNTING MEASUREMENT



#### 孔座 HOUSING (XAD)

| 线数<br>Poles | 型号<br>Type  | 尺寸 Dimensions (mm) |      |      |
|-------------|-------------|--------------------|------|------|
|             |             | A                  | B    | C    |
| 8           | HX25068-8Y  | 7.5                | 14.7 | 11.0 |
| 10          | HX25068-10Y | 10.0               | 17.2 | 13.5 |
| 12          | HX25068-12Y | 12.5               | 19.7 | 16.0 |
| 14          | HX25068-14Y | 15.0               | 22.2 | 18.5 |
| 16          | HX25068-16Y | 17.5               | 24.7 | 21.0 |
| 18          | HX25068-18Y | 20.0               | 27.2 | 23.5 |
| 20          | HX25068-20Y | 22.5               | 29.7 | 26.0 |
| 22          | HX25068-22Y | 25.0               | 32.2 | 28.5 |
| 24          | HX25068-24Y | 27.5               | 34.7 | 31.0 |
| 26          | HX25068-26Y | 30.0               | 37.2 | 33.5 |
| 28          | HX25068-28Y | 32.5               | 39.7 | 36.0 |
| 30          | HX25068-30Y | 35.0               | 42.2 | 38.5 |
| 32          | HX25068-32Y | 37.5               | 44.7 | 41.0 |
| 34          | HX25068-34Y | 40.0               | 47.2 | 43.5 |
| 36          | HX25068-36Y | 42.5               | 49.7 | 46.0 |
| 38          | HX25068-38Y | 45.0               | 52.2 | 48.5 |
| 40          | HX25068-40Y | 47.5               | 54.7 | 51.0 |

#### 针座 WAFER (XAD)

| 线数<br>Poles | 型号<br>Type    | 尺寸 Dimensions (mm) |      |
|-------------|---------------|--------------------|------|
|             |               | A                  | B    |
| 8           | HX25068-8A/B  | 7.5                | 15.0 |
| 10          | HX25068-10A/B | 10.0               | 17.5 |
| 12          | HX25068-12A/B | 12.5               | 20.0 |
| 14          | HX25068-14A/B | 15.0               | 22.5 |
| 16          | HX25068-16A/B | 17.5               | 25.0 |
| 18          | HX25068-18A/B | 20.0               | 27.5 |
| 20          | HX25068-20A/B | 22.5               | 30.0 |
| 22          | HX25068-22A/B | 25.0               | 32.5 |
| 24          | HX25068-24A/B | 27.5               | 35.0 |
| 26          | HX25068-26A/B | 30.0               | 37.5 |
| 28          | HX25068-28A/B | 32.5               | 40.0 |
| 30          | HX25068-30A/B | 35.0               | 42.5 |
| 32          | HX25068-32A/B | 37.5               | 45.0 |
| 34          | HX25068-34A/B | 40.0               | 47.5 |
| 36          | HX25068-36A/B | 42.5               | 50.0 |
| 38          | HX25068-38A/B | 45.0               | 52.5 |
| 40          | HX25068-40A/B | 47.5               | 55.0 |



## X-ON Electronics

Largest Supplier of Electrical and Electronic Components

*Click to view similar products for [Headers & Wire Housings](#) category:*

*Click to view products by [Hongxing](#) manufacturer:*

Other Similar products are found below :

[0015917161](#) [0022155065](#) [57102-F02-18ULF](#) [58102-G61-06LF](#) [582553-1](#) [01.001.5753.1](#) [0050291907](#) [02.125.8002.8](#) [609-3404](#) [61062-3](#)  
[CSU011177004](#) [622-0430](#) [622-3653LF](#) [63453-116](#) [636-1030](#) [636-1427](#) [636-3427](#) [636-4007](#) [641938-9](#) [65495-038](#) [65692-001LF](#) [65781-018](#)  
[65781-047](#) [65817-010LF](#) [65817-015LF](#) [67095-007LF](#) [67601157](#) [68631-112](#) [68645-018](#) [699319-000](#) [70.362.1628.0](#) [70-4210](#) [70-4226B](#) [70-](#)  
[4853B](#) [71.350.2428.0](#) [733-134](#) [733-162](#) [760-3052](#) [MHR-64-VUAL](#) [80.063.4001.1](#) [800-90-001-10-001000](#) [801-43-002-10-013000](#)  
[801-43-006-10-002000](#) [803-43-024-10-001000](#) [803-93-012-10-001000](#) [8-1437020-4](#) [819-22-004-30-001101](#) [820-22-006-30-001101](#)  
[820-22-008-30-001101](#) [821-22-002-10-001101](#)