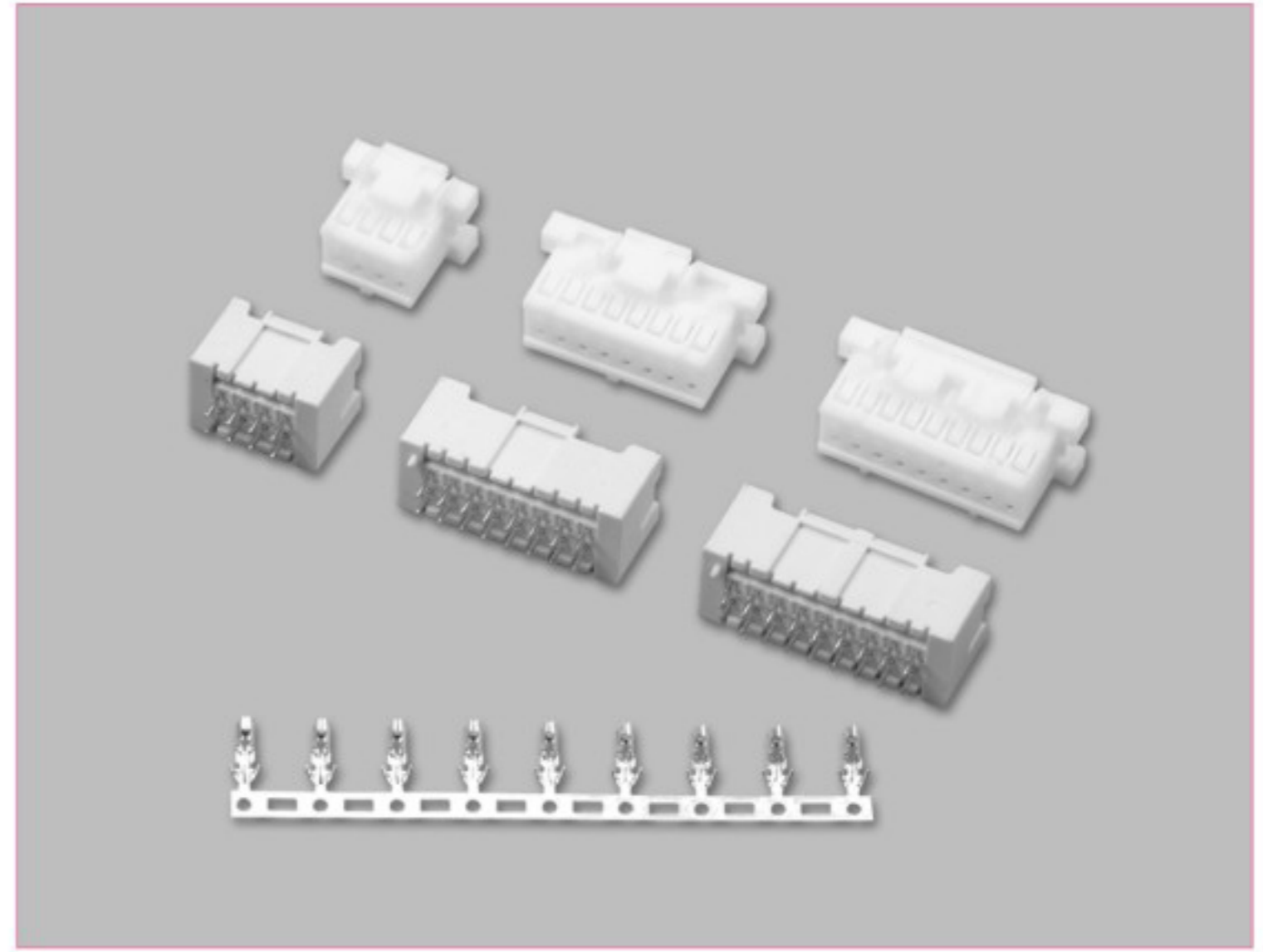


■ 技术参数 SPECIFICATIONS

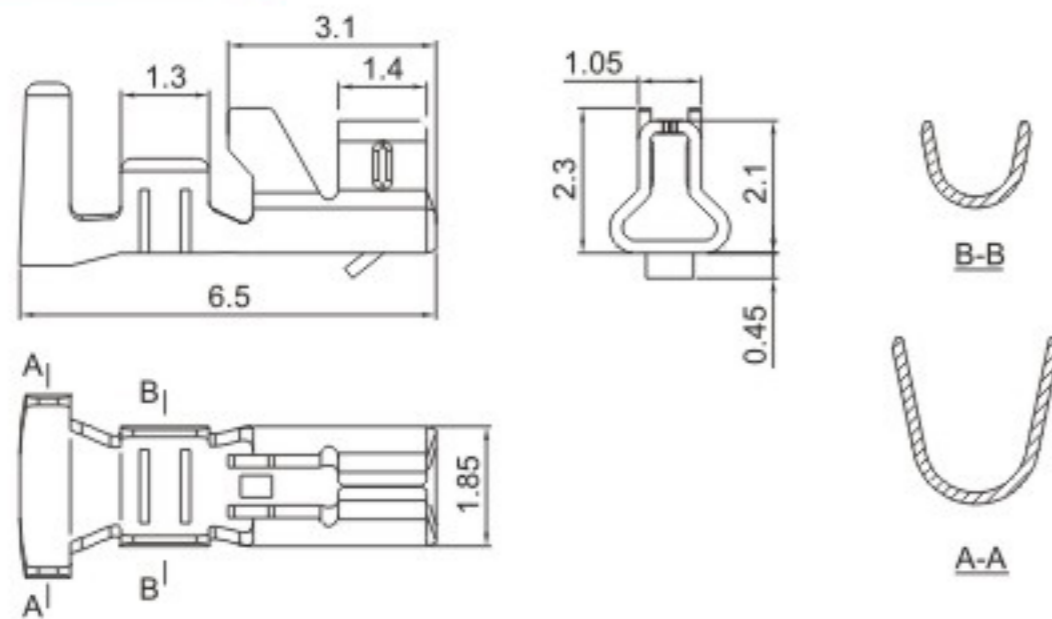
- 线数 (Poles) : 4~40
- 适用线规 (Applicable wires) : AWG28#~20#
- 适应基板厚度 (Applicable PC board thickness) : 1.6mm
- 温度范围 (Temperature range) : -25℃~85℃
- 额定电压 (Voltage rating) : 250V.Ac/Dc
- 额定电流 (Current rating) : 3A
- 接触电阻 (Contact resistance) : ≤0.02Ω
- 绝缘电阻 (Insulation resistance) : ≥1000MΩ
- 耐压 (Withstand voltage) : 1000V.Ac/1min
- 材料 (Material) :
 - 孔座 (Housing) : 尼龙 (PA66) UL94V-2(0)
 - 针座 (Wafer) : 尼龙 (PA66) UL94V-2(0)
 - 端子 (Terminal) : 磷青铜 (Phos.bronze Tin/plated)



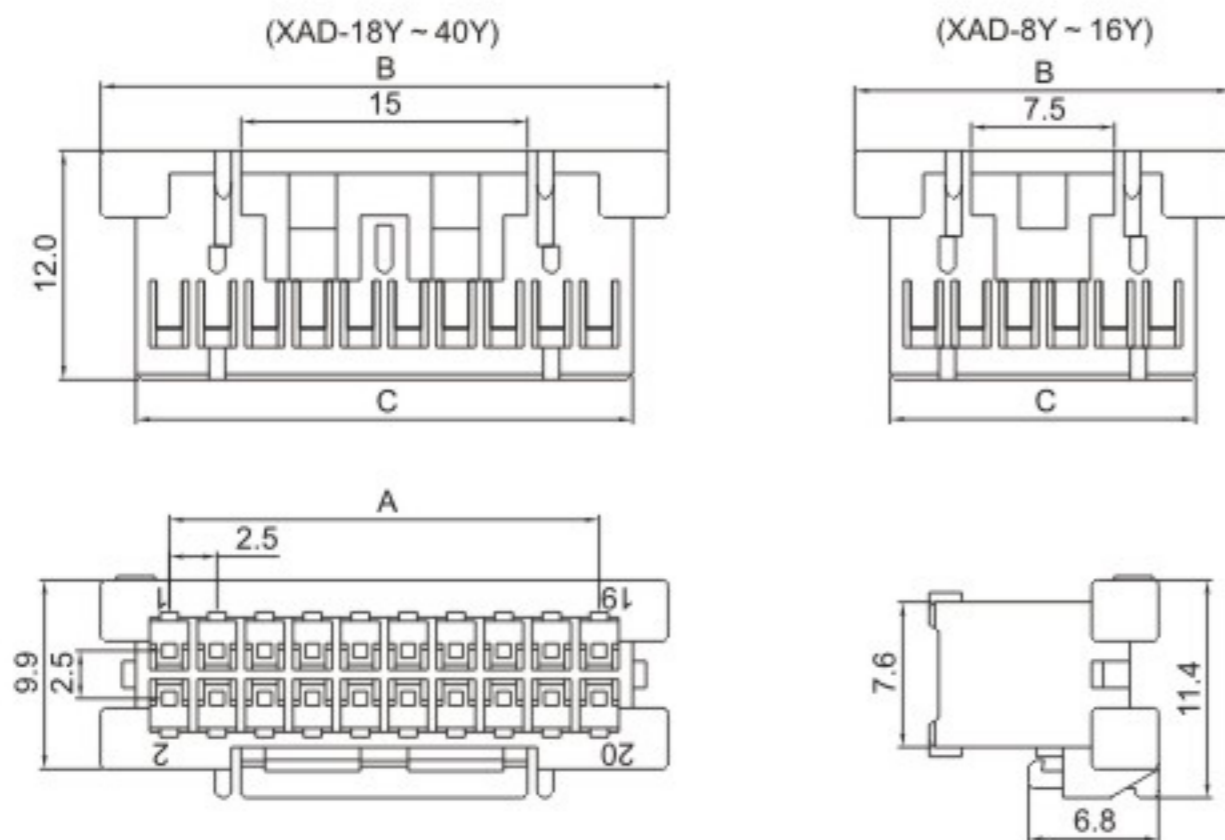
端子 TERMINAL (XA)

型号 Type	适用线规 Applicable wires		电线外径 O.D of wire ins mm	数量 Quantity
	mm ²	AWG#		
HX25066-PT	0.08~0.50	28~20	1.2~1.9	7000PCS/盘

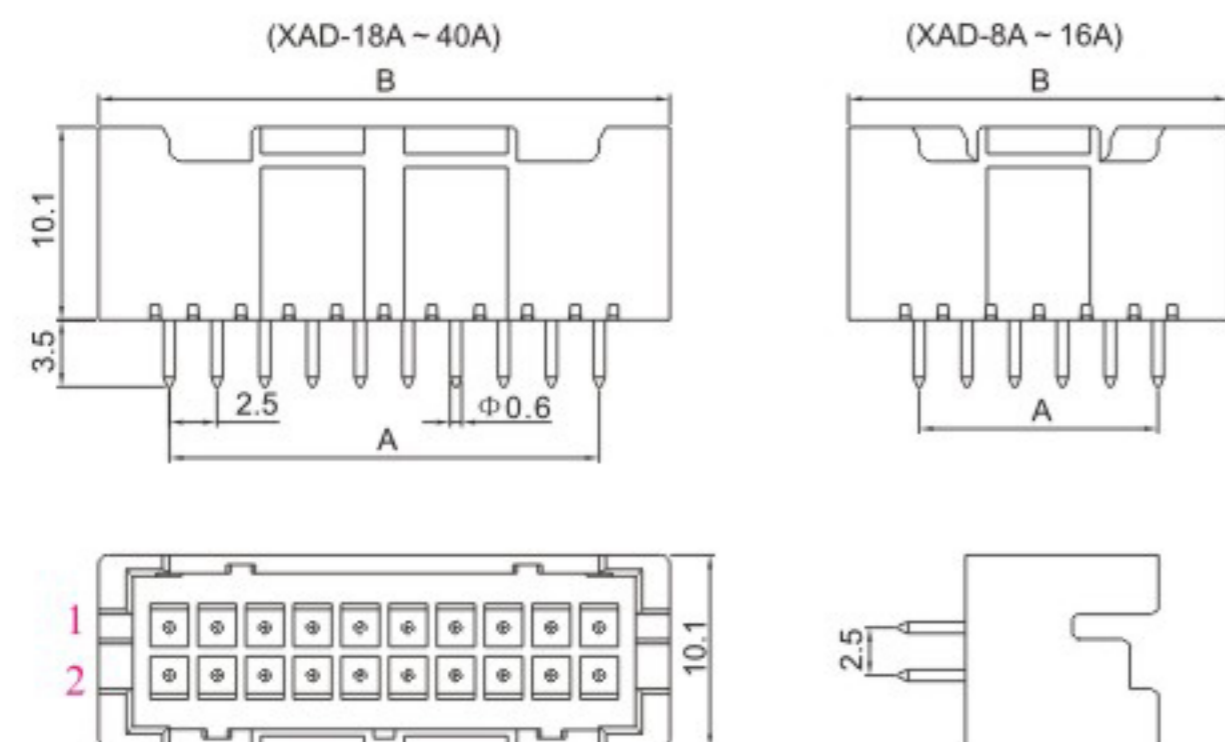
HX25066-PT (XA)



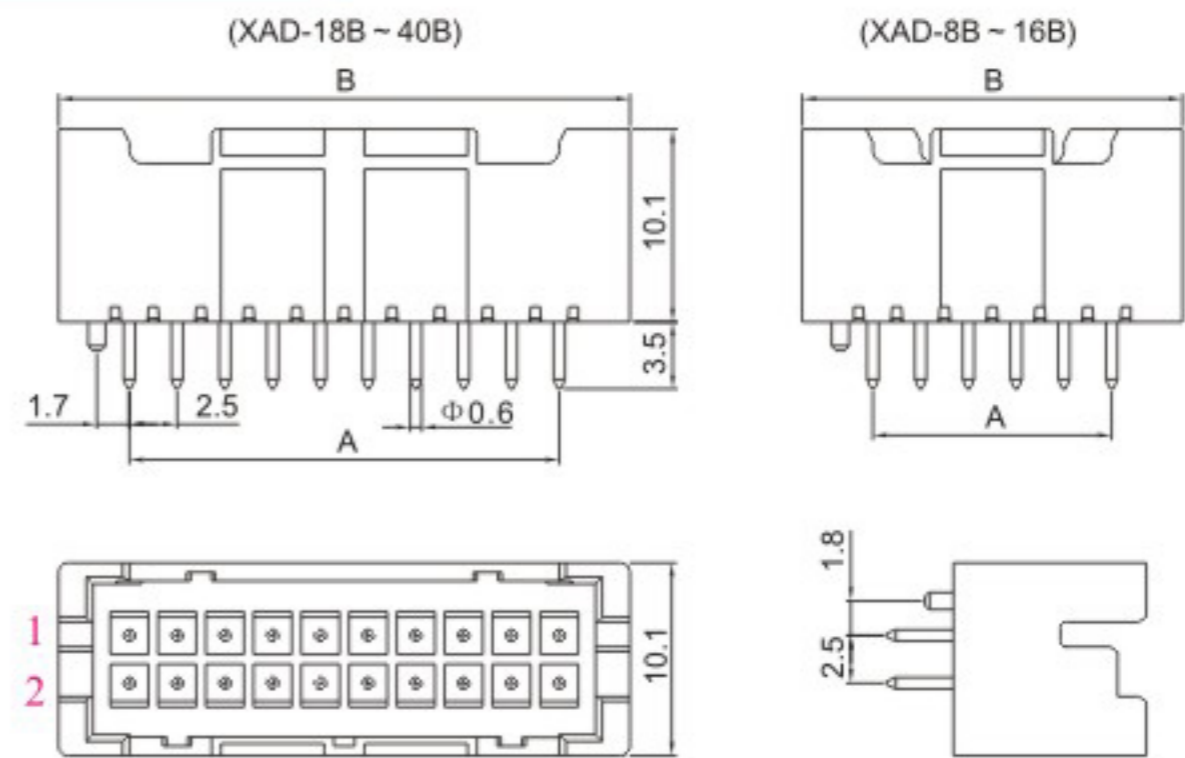
HX25068-Y (XAD)



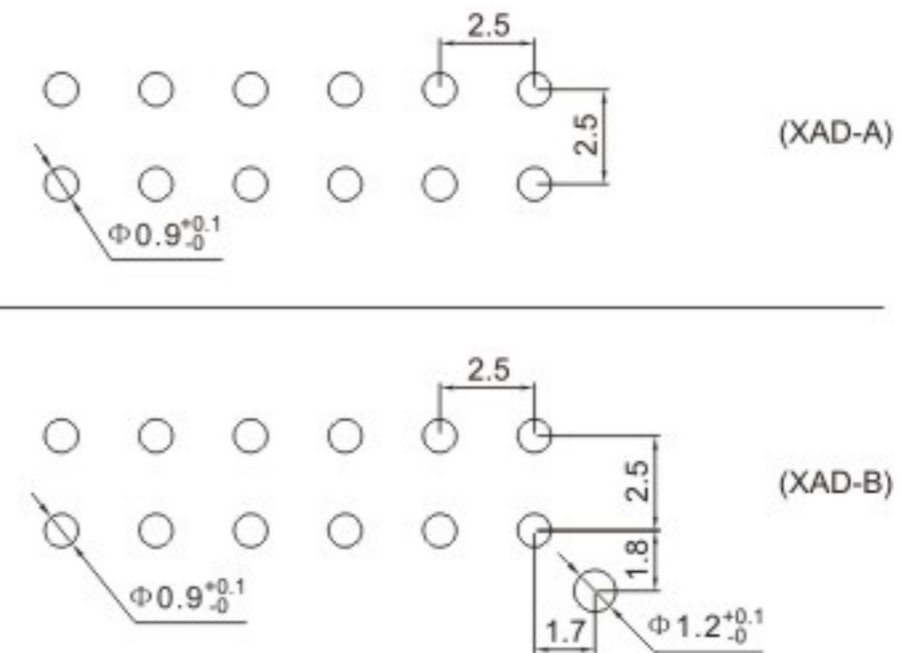
HX25068-A (XAD)



HX25068-B (XAD)



■ 安装尺寸 MOUNTING MEASUREMENT



孔座 HOUSING (XAD)

线数 Poles	型号 Type	尺寸 Dimensions (mm)		
		A	B	C
8	HX25068-8Y	7.5	14.7	11.0
10	HX25068-10Y	10.0	17.2	13.5
12	HX25068-12Y	12.5	19.7	16.0
14	HX25068-14Y	15.0	22.2	18.5
16	HX25068-16Y	17.5	24.7	21.0
18	HX25068-18Y	20.0	27.2	23.5
20	HX25068-20Y	22.5	29.7	26.0
22	HX25068-22Y	25.0	32.2	28.5
24	HX25068-24Y	27.5	34.7	31.0
26	HX25068-26Y	30.0	37.2	33.5
28	HX25068-28Y	32.5	39.7	36.0
30	HX25068-30Y	35.0	42.2	38.5
32	HX25068-32Y	37.5	44.7	41.0
34	HX25068-34Y	40.0	47.2	43.5
36	HX25068-36Y	42.5	49.7	46.0
38	HX25068-38Y	45.0	52.2	48.5
40	HX25068-40Y	47.5	54.7	51.0

针座 WAFER (XAD)

线数 Poles	型号 Type	尺寸 Dimensions (mm)	
		A	B
8	HX25068-8A/B	7.5	15.0
10	HX25068-10A/B	10.0	17.5
12	HX25068-12A/B	12.5	20.0
14	HX25068-14A/B	15.0	22.5
16	HX25068-16A/B	17.5	25.0
18	HX25068-18A/B	20.0	27.5
20	HX25068-20A/B	22.5	30.0
22	HX25068-22A/B	25.0	32.5
24	HX25068-24A/B	27.5	35.0
26	HX25068-26A/B	30.0	37.5
28	HX25068-28A/B	32.5	40.0
30	HX25068-30A/B	35.0	42.5
32	HX25068-32A/B	37.5	45.0
34	HX25068-34A/B	40.0	47.5
36	HX25068-36A/B	42.5	50.0
38	HX25068-38A/B	45.0	52.5
40	HX25068-40A/B	47.5	55.0

X-ON Electronics

Largest Supplier of Electrical and Electronic Components

Click to view similar products for [Headers & Wire Housings](#) category:

Click to view products by [Hongxing](#) manufacturer:

Other Similar products are found below :

[57102-F02-18ULF](#) [58102-G61-06LF](#) [582553-1](#) [009176003701906](#) [01.001.5753.1](#) [0050291907](#) [02.125.8002.8](#) [609-3404](#) [61062-3](#)
[CSU011177004](#) [622-0430](#) [622-3653LF](#) [63453-116](#) [636-1030](#) [636-1427](#) [636-3427](#) [636-4007](#) [641938-9](#) [644827-2](#) [65495-038](#) [65692-001LF](#)
[65781-018](#) [65781-047](#) [65817-010LF](#) [65817-015LF](#) [66207-023LF](#) [67095-007LF](#) [67601157](#) [68631-112](#) [68645-018](#) [699319-000](#)
[M90C108951C](#) [70.362.1628.0](#) [70-4210](#) [70-4226B](#) [70-4853B](#) [707-5028](#) [71.350.2428.0](#) [71961-016LF](#) [733-134](#) [733-162](#) [754199-000](#) [760-](#)
[3052](#) [80.063.4001.1](#) [800-90-001-10-001000](#) [800-90-010-10-002000](#) [801-43-002-10-013000](#) [801-43-006-10-002000](#) [803-41-018-10-001000](#)
[803-43-024-10-001000](#)