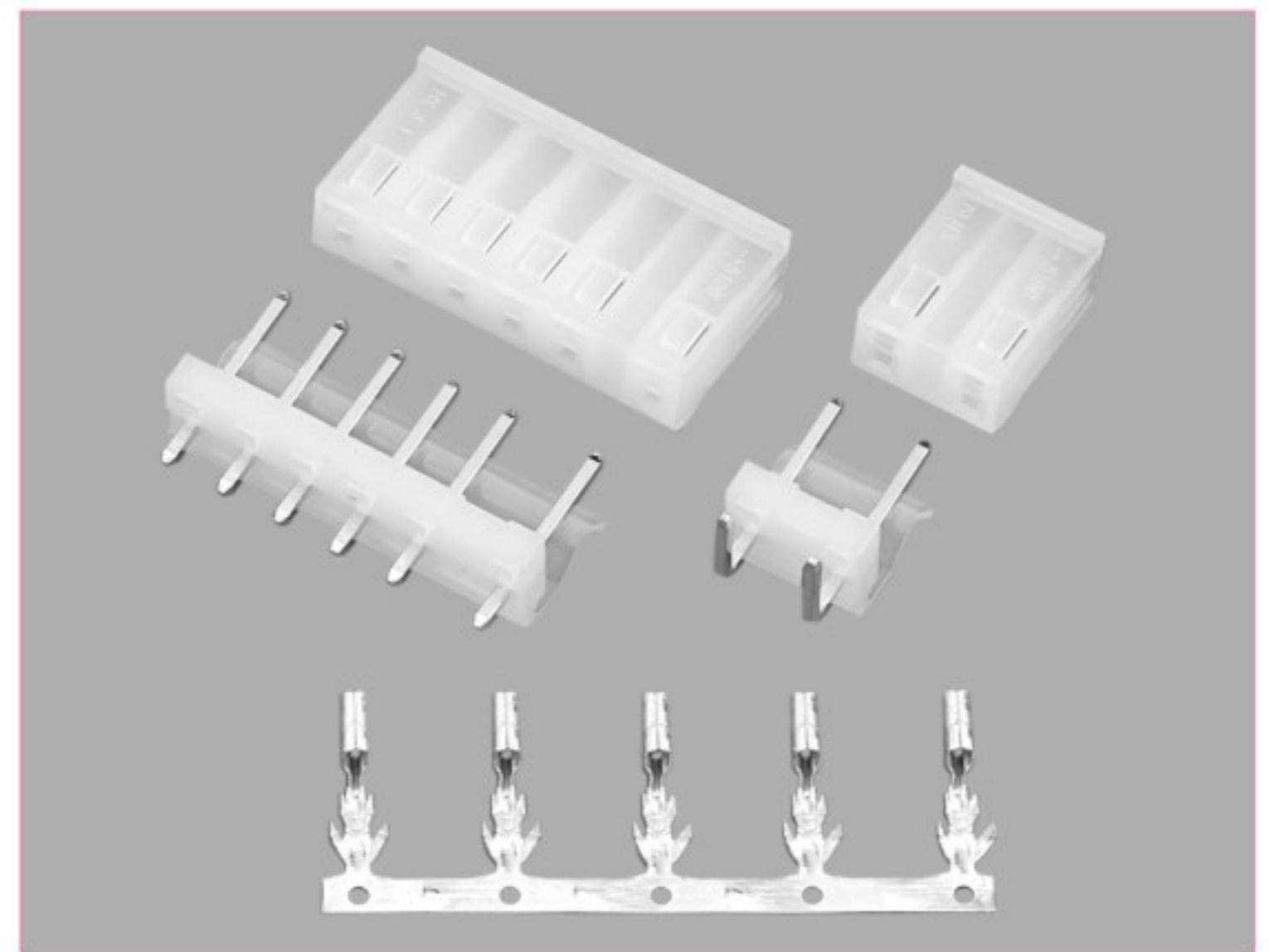


技术参数 SPECIFICATIONS

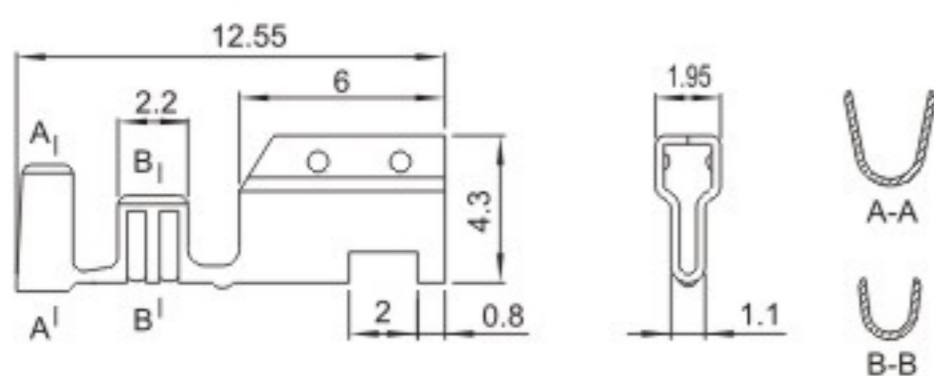
- 线数 (Poles) : 2~12(17)
- 适用线规 (Applicable wires) : AWG24#~18#
- 适应基板厚度 (Applicable PC board thickness) : 1.6mm
- 温度范围 (Temperature range) : -25℃~85℃
- 额定电压 (Voltage rating) : 250V.Ac/Dc
- 额定电流 (Current rating) : 5A
- 接触电阻 (Contact resistance) : ≤0.015Ω
- 绝缘电阻 (Insulation resistance) : ≥1000MΩ
- 耐压 (Withstand voltage) : 1500V.Ac/1min
- 材料 (Material) :
 - 孔座 (Housing) : 尼龙 (PA66) UL94V-2(0)
 - 针座 (Wafer) : 尼龙 (PA66) UL94V-2(0)
 - 端子 (Terminal) : 磷青铜 (Phos.bronze Tin/plated)



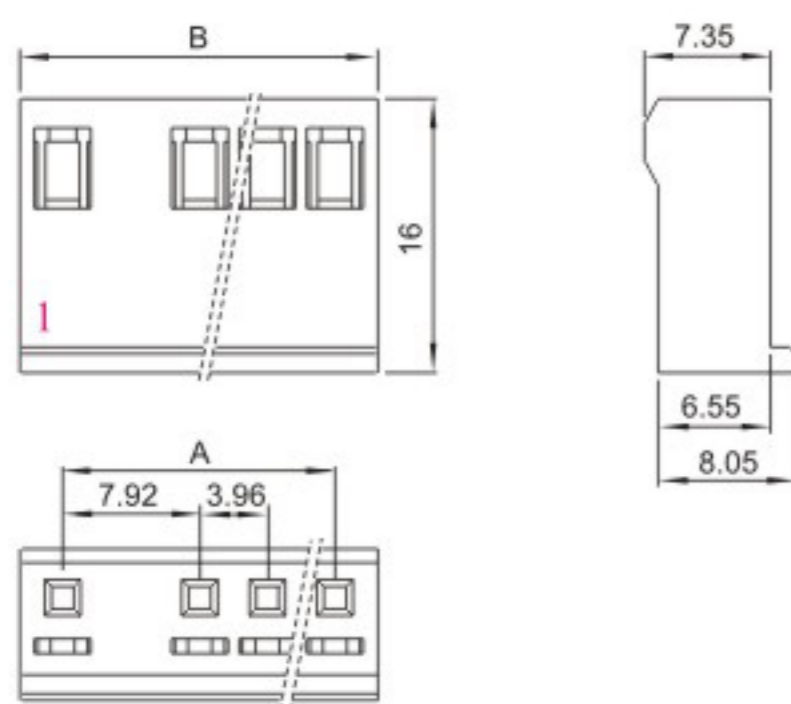
端子 TERMINAL (5225、5194)

| 型号 Type | 适用线规 Applicable wires | | 电线外径 O.D of wire ins mm | 数量 Quantity |
|------------|--------------------------|-------|-------------------------------|----------------|
| | mm ² | AWG# | | |
| HX39606-PT | 0.2~0.75 | 24~18 | 1.5~2.8 | 3500PCS/盘 |

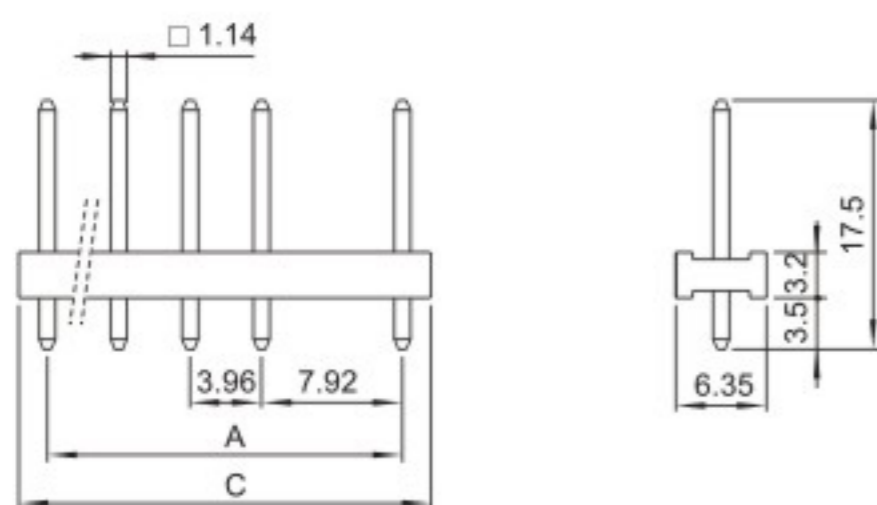
HX39606-PT (5225、5194)



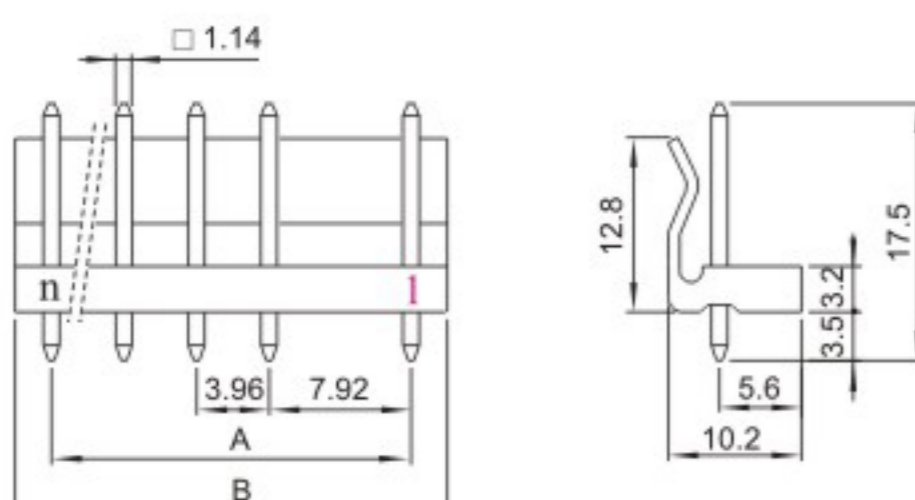
HX39607-Y (5196)



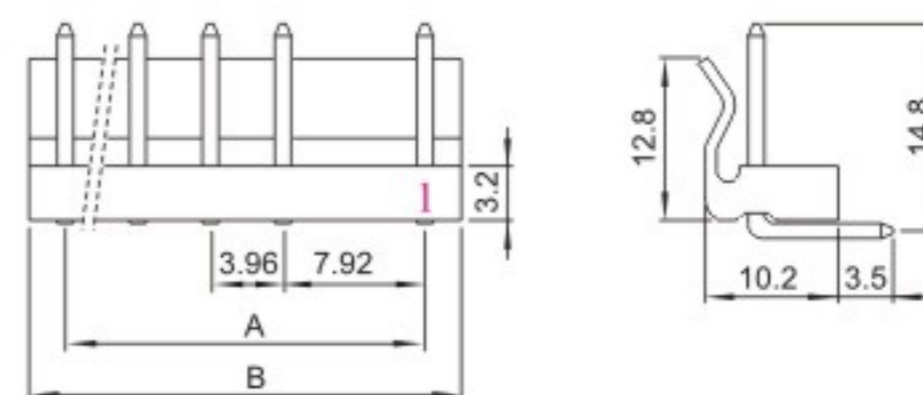
HX39607-NA (5275/5196)



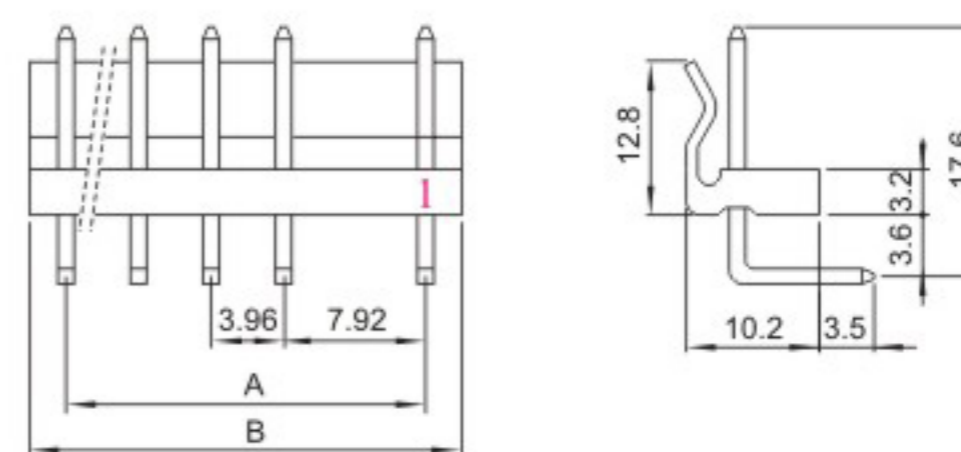
HX39607-A (5277/5196)



HX39607-WAP (5277/5196)

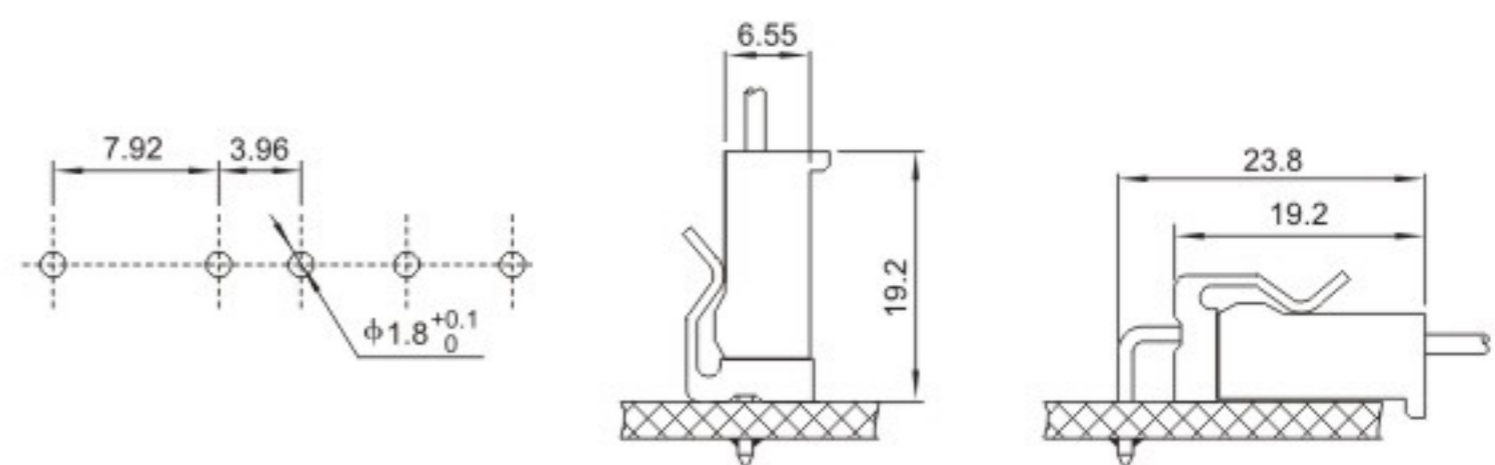


HX39607-WAG (5277/5196)



注: 5196-A针座=3.96-A空第二针(如5196-3A=3.96-4A3针空2)

安装尺寸 MOUNTING MEASUREMENT



孔座 HOUSING (5196)

| 线数 Poles | 型号 Type | 尺寸 Dimensions(mm) | |
|-------------|-------------|-------------------|-------|
| | | A | B |
| 2 | HX39607-2Y | 7.92 | 13.02 |
| 3 | HX39607-3Y | 11.88 | 16.98 |
| 4 | HX39607-4Y | 15.84 | 20.94 |
| 5 | HX39607-5Y | 19.80 | 24.91 |
| 6 | HX39607-6Y | 23.76 | 28.86 |
| 7 | HX39607-7Y | 27.72 | 32.82 |
| 8 | HX39607-8Y | 31.68 | 36.78 |
| 9 | HX39607-9Y | 35.64 | 40.74 |
| 10 | HX39607-10Y | 39.60 | 44.70 |
| 11 | HX39607-11Y | 43.56 | 48.66 |
| 12 | HX39607-12Y | 47.52 | 52.62 |
| ... | ... | ... | ... |
| 17 | HX39607-17Y | 67.32 | 72.42 |

针座 WAFER (5275/5277/5196)

| 线数 Poles | 型号 Type | | 尺寸 Dimensions(mm) | | |
|-------------|----------------|--------------|-------------------|-------|-------|
| | 直式/弯式 | 横条(180°) | A | B | C |
| 2 | HX39607-2A/WA | HX39607-2NA | 7.92 | 11.88 | 11.73 |
| 3 | HX39607-3A/WA | HX39607-3NA | 11.88 | 15.84 | 15.69 |
| 4 | HX39607-4A/WA | HX39607-4NA | 15.84 | 19.80 | 19.65 |
| 5 | HX39607-5A/WA | HX39607-5NA | 19.80 | 23.76 | 23.61 |
| 6 | HX39607-6A/WA | HX39607-6NA | 23.76 | 27.72 | 27.57 |
| 7 | HX39607-7A/WA | HX39607-7NA | 27.72 | 31.68 | 31.53 |
| 8 | HX39607-8A/WA | HX39607-8NA | 31.68 | 35.64 | 35.49 |
| 9 | HX39607-9A/WA | HX39607-9NA | 35.64 | 39.60 | 39.45 |
| 10 | HX39607-10A/WA | HX39607-10NA | 39.60 | 43.56 | 43.41 |
| 11 | HX39607-14A/WA | HX39607-11NA | 43.56 | 47.52 | 47.37 |
| 12 | HX39607-14A/WA | HX39607-12NA | 47.52 | 51.48 | 51.33 |
| ... | ... | --- | ... | ... | --- |
| 17 | HX39607-17A/WA | --- | 67.32 | 71.28 | --- |

X-ON Electronics

Largest Supplier of Electrical and Electronic Components

Click to view similar products for [Headers & Wire Housings](#) category:

Click to view products by [Hongxing](#) manufacturer:

Other Similar products are found below :

[57102-F02-18ULF](#) [58102-G61-06LF](#) [0009485154](#) [009176003701906](#) [0050291907](#) [02.125.8002.8](#) [609-3404](#) [61062-3](#) [622-0430](#) [622-3653LF](#)
[63453-116](#) [636-1030](#) [636-1427](#) [636-3427](#) [636-4007](#) [641938-9](#) [644827-2](#) [65495-038](#) [65692-001LF](#) [65781-018](#) [65781-047](#) [65817-010LF](#)
[65817-015LF](#) [66207-023LF](#) [67016-026LF](#) [67095-007LF](#) [68631-112](#) [68645-018](#) [68648-049](#) [699319-000](#) [70.362.1628.0](#) [70-4210](#) [70-4226B](#)
[70-4853B](#) [707-5020](#) [707-5028](#) [71.350.2428.0](#) [71961-016LF](#) [733-134](#) [754199-000](#) [760-3052](#) [787-8014-00](#) [FCN-367T-T012/H](#) [80.063.4001.1](#)
[800-90-010-10-002000](#) [801-43-002-10-013000](#) [801-43-006-10-002000](#) [803-41-018-10-001000](#) [803-43-014-20-001000](#) [803-43-024-10-001000](#)