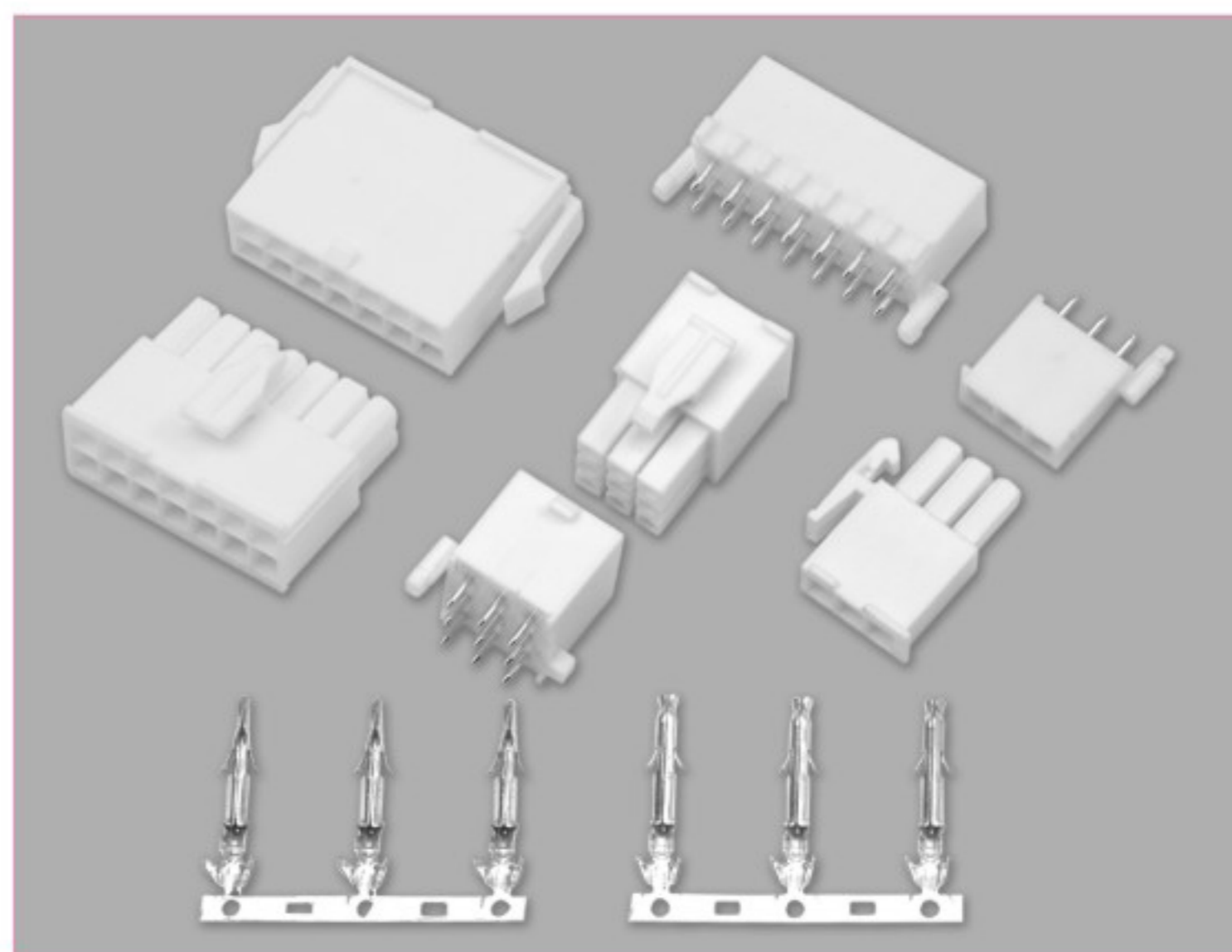


■ 技术参数 SPECIFICATIONS

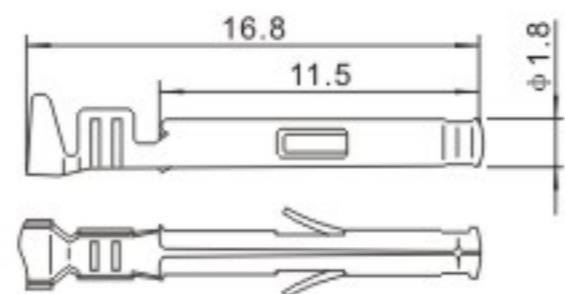
- 线数 (Poles) : 1~24
- 适用线规 (Applicable wires) : AWG28#~18#
- 适应基板厚度 (Applicable PC board thickness) : 1.6mm
- 温度范围 (Temperature range) : -25℃~105℃
- 额定电压 (Voltage rating) : 300V.Ac/Dc
- 额定电流 (Current rating) : 8A max
- 接触电阻 (Contact resistance) : ≤0.015Ω
- 绝缘电阻 (Insulation resistance) : ≥1000MΩ
- 耐压 (Withstand voltage) : 1500V.Ac/1min
- 材料 (Material) :
 - 插头 (Plug housing) : 尼龙 (PA66) UL94V-2(0)
 - 插座 (Receptacle housing) : 尼龙 (PA66) UL94V-2(0)
 - 端子 (Terminal) : 磷青铜 (Phos.bronze Tin/plated)



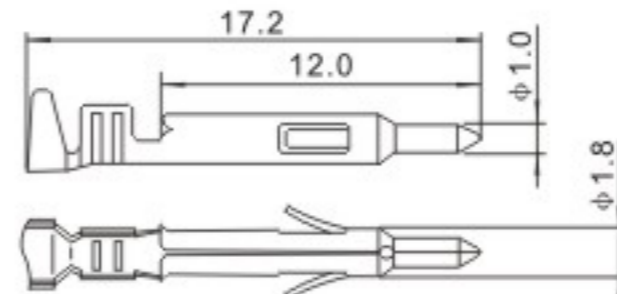
端子 TERMINAL (FL)

型号 Type	适用线规 Applicable wires		电线外径 O.D of wire ins mm	数量 Quantity	型号 Type	适用线规 Applicable wires		电线外径 O.D of wire ins mm	数量 Quantity
	mm ²	AWG#				mm ²	AWG#		
HX41405-01PT	0.09~0.2	28~24	0.9~1.4	5000PCS/盘	HX41405-21PT	0.25~0.75	22~18	1.6~2.6	3500PCS/盘
HX41406-01RT	0.09~0.2	28~24	0.9~1.4	5000PCS/盘	HX41406-21RT	0.25~0.75	22~18	1.6~2.6	3500PCS/盘

HX41405-01PT (170361-1)
HX41405-21PT (170362-1)



HX41406-01RT (170359-1)
HX41406-21RT (170360-1)



线数 (Poles)	额定电流 (Current rating)	插头 (Plug Housing)	插座 (Receptacle Housing)	针座 (Wafer)
1	8A	<p>HX41405-1P (172164-1) (172335-1)</p>	<p>HX41406-1RF (172156-1) (172327-1)</p>	
2	8A	<p>HX41405-2P (172165-1) (172336-1)</p>	<p>HX41406-2R (172157-1) (172328-1)</p> <p>HX41406-2RF (172233-1) (172343-1)</p>	<p>HX41406-2A (770166-1)</p> <p>HX41405-2DS (FL)</p>
3	8A	<p>HX41405-3P (172166-1) (172337-1)</p>	<p>HX41406-3R (172158-1) (172329-1)</p>	<p>HX41406-3A (770170-1)</p>
4	7A	<p>HX41405-4P (172167-1) (172338-1)</p>	<p>HX41406-4R (172159-1) (172330-1)</p>	<p>HX41406-4A (770174-1)</p>



线数 (Poles)	额定电流 (Current rating)	插头 (Plug Housing)	插座 (Receptacle Housing)	针座 (Wafer)
6	7A	<p>HX41405-6P (172168-1) (172339-1)</p>	<p>HX41406-6R (172160-1) (172331-1)</p>	<p>HX41406-6A (770178-1)</p>
8	6A	<p>HX41405-8P (770579-1)</p>	<p>HX41406-8R (794941-1)</p>	<p>HX41406-8A (794065-1)</p>
9	6A	<p>HX41405-9P (172169-1) (172340-1)</p>	<p>HX41406-9R (172161-1) (172332-1)</p>	<p>HX41406-9A (770182-1)</p>
10	6A	<p>HX41405-10P (770580-1)</p>	<p>HX41406-10R (794942-1)</p>	<p>HX41406-10A (770743-1)</p>
12 (3X4)	6A	<p>HX41405-12P (172170-1) (172341-1)</p>	<p>HX41406-12R (172162-1) (172333-1)</p>	<p>HX41406-12A (770186-1)</p>
		<p>HX41406-12RF</p>		
12 (2X6)	6A	<p>HX41405-12PN (770581-1)</p>	<p>HX41406-12RN (794943-1)</p>	<p>HX41406-12AN (794066-1)</p>

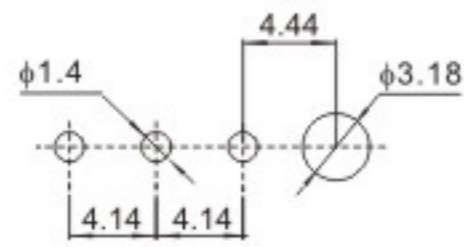
线数 (Poles)	额定电流 (Current rating)	插头 (Plug Housing)	插座 (Receptacle Housing)	针座 (Wafer)
14	6A	<p>HX41405-14P (770582-1)</p>	<p>HX41406-14R (794944-1)</p>	<p>HX41406-14A (794067-1)</p>
		<p>HX41405-15P (172171-1) (172342-1)</p>	<p>HX41406-15R (172163-1) (172334-1)</p>	<p>HX41406-15A (770190-1)</p>
		<p>HX41406-15RF</p>		
16	6A	<p>HX41405-16P (770583-1)</p>	<p>HX41406-16R (794945-1)</p>	<p>HX41406-16A (794068-1)</p>

线数 (Poles)	额定电流 (Current rating)	插头 (Plug Housing)	插座 (Receptacle Housing)	针座 (Wafer)
18	6A	<p>HX41405-18P (770584-1)</p>	<p>HX41406-18R (794946-1)</p>	<p>HX41406-18A (794069-1)</p>
		<p>HX41405-20P (770585-1)</p>	<p>HX41406-20R (794947-1)</p>	<p>HX41406-20A (794070-1)</p>
		<p>HX41405-22P (770586-1)</p>	<p>HX41406-22R (794948-1)</p>	<p>HX41406-22A (794071-1)</p>

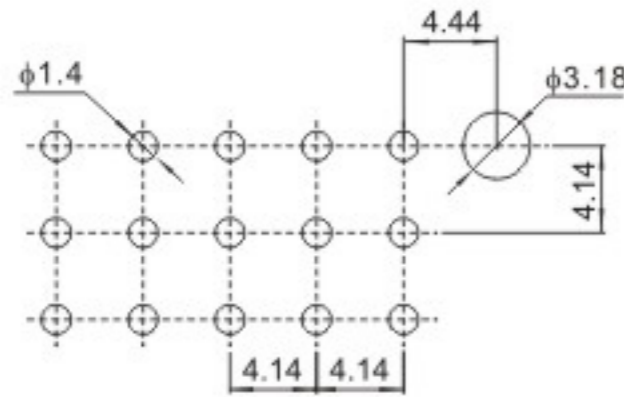
线数 (Poles)	额定电流 (Current rating)	插头 (Plug Housing)	插座 (Receptacle Housing)	针座 (Wafer)
24	6A	<p>HX41405-24P (770587-1)</p>	<p>HX41406-24R (794949-1)</p>	<p>HX41406-24A (794072-1)</p>

FL-A 安装尺寸

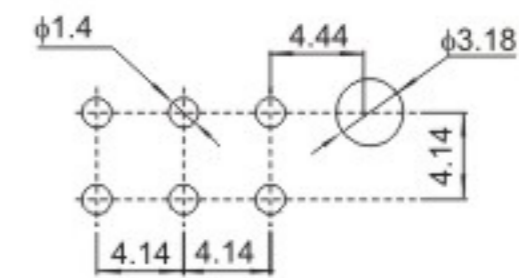
MOUNTING MEASUREMENT



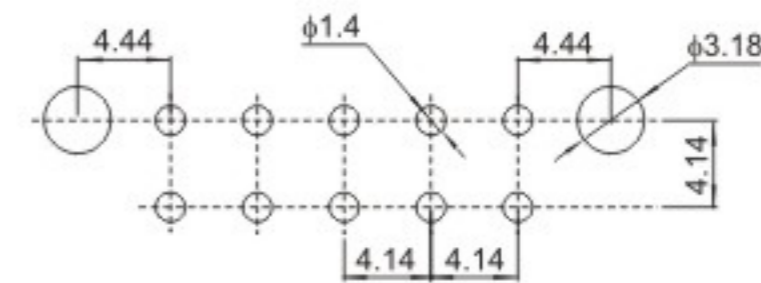
2A ~ 3A



9A, 12A, 15A



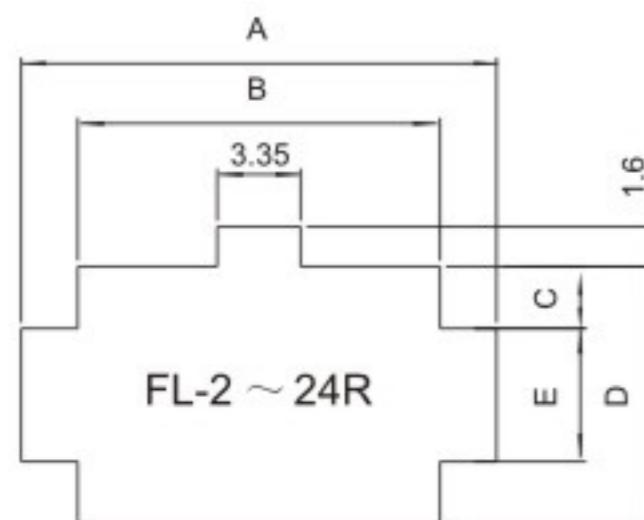
4A, 6A, 8A, 10A, 12A



14A, 16A, 18A, 20A, 22A, 24A

FL-R 安装尺寸

MOUNTING MEASUREMENT



线数 Poles	型号 Type	尺寸 Dimensions (mm)				
		A	B	C	D	E
2	HX41406-2R	10.7	6.15	2.5	10.35	5.35
3	HX41406-3R	10.7	6.15	4.6	14.55	5.35
4	HX41406-4R	14.9	10.35	2.5	10.35	5.35
6	HX41406-6R	19.1	14.55	2.5	10.35	5.35
8	HX41406-8R	23.3	18.75	2.5	10.35	5.35
9	HX41406-9R	19.1	14.55	4.6	14.55	5.35
10	HX41406-10R	27.5	22.95	2.5	10.35	5.35
12(3x4)	HX41406-12R	23.3	18.75	4.6	14.55	5.35
12(2x6)	HX41406-12RN	31.7	27.15	2.5	10.35	5.35
14	HX41406-14R	35.9	31.35	2.5	10.35	5.35
15	HX41406-15R	27.5	22.95	4.6	14.55	5.35
16	HX41406-16R	40.1	35.55	2.5	10.35	5.35
18	HX41406-18R	44.3	39.75	2.5	10.35	5.35
20	HX41406-20R	48.5	43.95	2.5	10.35	5.35
22	HX41406-22R	52.7	48.15	2.5	10.35	5.35
24	HX41406-24R	56.9	52.35	2.5	10.35	5.35

X-ON Electronics

Largest Supplier of Electrical and Electronic Components

Click to view similar products for [Terminals](#) category:

Click to view products by [Hongxing](#) manufacturer:

Other Similar products are found below :

[00-054007-01074-6](#) [00-054007-70206-1](#) [00-054007-70210-8](#) [00-054007-70217-7](#) [00-054007-70228-3](#) [00-054007-70256-6](#) [00-054007-70316-7](#) [00-054007-49560-4](#) [00-054007-70209-2](#) [00-054007-70231-3](#) [00-054007-70241-2](#) [00-054007-70242-9](#) [00-054007-70246-7](#) [00-054007-70263-4](#) [00-054007-70288-7](#) [00-054007-70290-0](#) [00-054007-70300-6](#) [00-054007-70304-4](#) [01-2900-1-04412](#) [00581P0075](#) [600TS-10](#) [604200-1](#) [605601-1](#) [60598-1-CUT-TAPE](#) [60617-1-C](#) [61314-6-C](#) [61810-3](#) [62149-1](#) [626-0194](#) [62-NBM-A](#) [62-SP](#) [63-S](#) [M55155/059I03](#)
[M55155/079C01](#) [M55155/099B03](#) [M55155/099H02](#) [M55155/109H01](#) [M55155/12XH05](#) [M55155/16XH02](#) [M55155/29-5S](#) [M55155/29XJ08](#)
[M55155/30-6S](#) [M55155/30-9S](#) [M55155/30XI09](#) [696683-1](#) [696861-1](#) [696999-1](#) [M86700006](#) [D18-110B-C](#) [D18-110B-M](#)