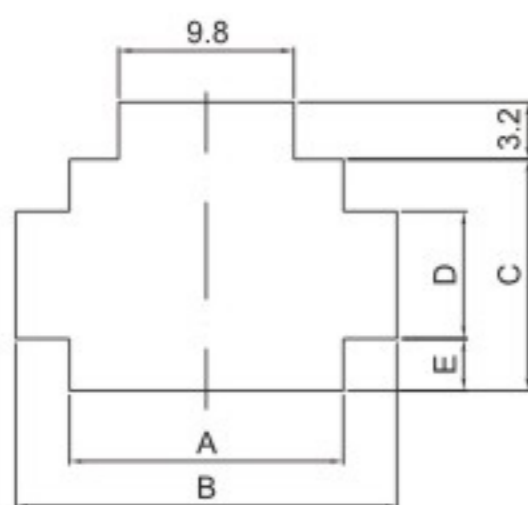


技术参数 SPECIFICATIONS

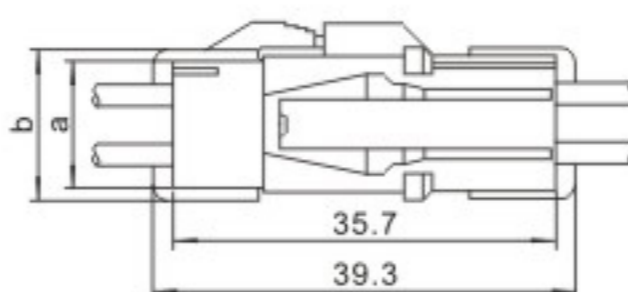
- 线数 (Poles) : 1、2、3、4、6、8、9、12、15、16
- 适用线规 (Applicable wires) : AWG28#~18#
- 适应基板厚度 (Applicable PC board thickness) : 0.7~2.0mm
- 温度范围 (Temperature range) : -25℃~85℃
- 额定电压 (Voltage rating) : 300V.Ac/Dc
- 额定电流 (Current rating) : 10A Max
- 接触电阻 (Contact resistance) : ≤0.015Ω
- 绝缘电阻 (Insulation resistance) : ≥1000MΩ
- 耐压 (Withstand voltage) : 1500V.Ac/1min
- 材料 (Material) :
 - 插头 (Plug housing) : 尼龙 (PA66) UL94V-0
 - 插座 (Receptacle housing) : 尼龙 (PA66) UL94V-0
 - 插片 (Retainer) : 尼龙 (PA66) UL94V-2
 - 端子 (Terminal) : 磷青铜 (Phos.bronze Tin/plated)
 - 黄铜 (Brass Tin/plated)

端子 TERMINAL (YL)

| 型号 Type | 适用线规 Applicable wires | | 电线外径 O.D of wire ins mm | 数量 Quantity |
|--------------|--------------------------|-------|-------------------------------|----------------|
| | mm ² | AWG# | | |
| HX45004-01PT | 0.09~0.3 | 28~22 | 0.9~1.7 | 5000PCS/盘 |
| HX45005-01RT | 0.09~0.3 | 28~22 | 0.9~1.7 | 5000PCS/盘 |
| HX45004-21PT | 0.3~0.75 | 22~18 | 1.7~3.0 | 4000PCS/盘 |
| HX45005-21RT | 0.3~0.75 | 22~18 | 1.7~3.0 | 4000PCS/盘 |



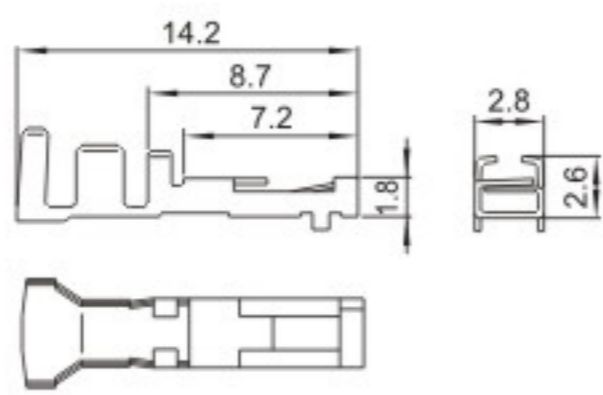
安装尺寸 MOUNTING MEASUREMENT



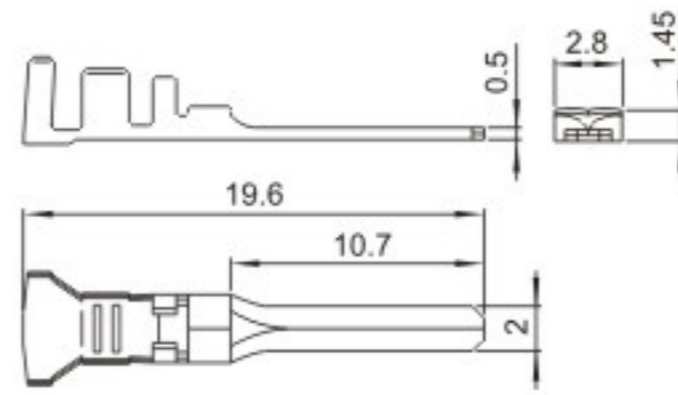
| 型号 Type | 线数 Poles | 尺寸 Dimensions W (mm) | |
|------------|-------------|----------------------|------|
| | | a | b |
| 单排 | 2、3 | 9.5 | 10.8 |
| 2排 | 4、6、8、12、16 | 15.3 | 16.6 |
| 3排 | 9、12、15 | 20.5 | 21.8 |

| 线数 Poles | 型号 Type | 适应基板厚度(Applicable PC board thickness)(mm) | | | | | | | | |
|-------------|--------------|---|------|------|-----|---------|-----|------|-----|------|
| | | 0.7~2.0 | | | | 0.9~1.3 | | | | |
| | | A | B | C | D | E | D | E | D | E |
| 2 | HX45005-2R | 10.7 | 16.8 | 7.1 | 4.4 | 1.3 | 5.0 | 1.0 | 5.6 | 0.7 |
| 3 | HX45005-3R | 15.3 | 21.3 | 7.1 | 4.4 | 1.3 | 5.0 | 1.0 | 5.6 | 0.7 |
| 4 | HX45005-4R | 10.7 | 16.8 | 12.9 | 7.1 | 2.85 | 7.7 | 2.55 | 8.3 | 2.25 |
| 6 | HX45005-6R | 15.3 | 21.3 | 12.9 | 7.1 | 2.85 | 7.7 | 2.55 | 8.3 | 2.25 |
| 8 | HX45005-8R | 19.8 | 25.8 | 12.9 | 7.1 | 2.85 | 7.7 | 2.55 | 8.3 | 2.25 |
| 9 | HX45005-9R | 15.3 | 21.3 | 18.2 | 7.1 | 5.55 | 7.7 | 5.25 | 8.3 | 4.95 |
| 12(3X4) | HX45005-12R | 19.8 | 25.8 | 18.2 | 7.1 | 5.55 | 7.7 | 5.25 | 8.3 | 4.95 |
| 12(2X6) | HX45005-12RN | 28.9 | 34.8 | 12.9 | 7.1 | 2.85 | 7.7 | 2.55 | 8.3 | 2.25 |
| 15 | HX45005-15R | 24.4 | 30.3 | 18.2 | 7.1 | 5.55 | 7.7 | 5.25 | 8.3 | 4.95 |
| 16 | HX45005-16R | 37.9 | 43.8 | 12.9 | 7.1 | 2.85 | 7.7 | 2.55 | 8.3 | 2.25 |

HX45004-PT (YL)



HX45005-RT (YL)



| 线数 (Poles) | 额定电压 (Voltage rating) | 额定电流 (Current rating) | 插头 (Plug Housing) | 插座 (Receptacle Housing) | 插片 (Retainer) |
|---------------|--------------------------|--------------------------|----------------------------|-----------------------------|----------------------------|
| 1 | 300V | 7A (10A) | HX45004-1P (YL) | HX45005-1RF (YL) | HX45004-1S (YL) |
| 2 | 300V | 7A (10A) | HX45004-2P (YL) | HX45005-2R (YL) | HX45004-2S (YL) |



| 线数 (Poles) | 额定电压 (Voltage rating) | 额定电流 (Current rating) | 插头 (Plug Housing) | 插座 (Receptacle Housing) | 插片 (Retainer) |
|---------------|-----------------------------|-----------------------------|-----------------------------|-----------------------------|----------------------------|
| 2 | 300V | 7A (10A) | HX45004-2P (YL) | HX45005-2RF (YL) | HX45004-2S (YL) |
| | | | HX45004-3P (YL) | HX45005-3R (YL) | HX45004-3S (YL) |
| 3 | 300V | 6A (9A) | HX45004-4P (YL) | HX45005-3RF (YL) | HX45004-2S (YL) |
| | | | HX45005-4R (YL) | HX45005-4RF (YL) | HX45004-2S (YL) |
| 4 | 300V | 5A (8A) | | HX45005-4R (YL) | HX45004-2S (YL) |
| | | | HX45005-4RF (YL) | | |

| 线数 (Poles) | 额定电压 (Voltage rating) | 额定电流 (Current rating) | 插头 (Plug Housing) | 插座 (Receptacle Housing) | 插片 (Retainer) |
|---------------|-----------------------------|-----------------------------|------------------------------|-----------------------------|----------------------------|
| 6 | 300V | 5A (8A) | HX45004-6P (YL) | HX45005-6R (YL) | HX45004-3S (YL) |
| | | | HX45005-6RF (YL) | | |
| 8 | 300V | 4A (6A) | HX45004-8P (YL) | HX45005-8R (YL) | HX45004-4S (YL) |
| | | | HX45005-8RF (YL) | | |
| 9 | 300V | 4A (6A) | HX45004-9P (YL) | HX45005-9R (YL) | |
| | | | HX45005-9RF (YL) | | |
| 12 | 300V | 3A (6A) | HX45004-12P (YL) | HX45005-12R (YL) | |
| | | | HX45005-12RF (YL) | | |

| 线数 (Poles) | 额定电压 (Voltage rating) | 额定电流 (Current rating) | 插头 (Plug Housing) | 插座 (eceptacle Housing) | 插片(Retainer) |
|---------------|-----------------------------|-----------------------------|--------------------------|--------------------------|------------------------|
| 12 | 300V | 3A (6A) | <p>HX45004-12PN (YL)</p> | <p>HX45005-12RN (YL)</p> | <p>HX45004-6S (YL)</p> |
| 15 | 300V | 3A (5A) | <p>HX45004-15P (YL)</p> | <p>HX45005-15R (YL)</p> | |
| 16 | 300V | 3A (5A) | <p>HX45004-16P (YL)</p> | <p>HX45005-16R (YL)</p> | <p>HX45004-8S (YL)</p> |

X-ON Electronics

Largest Supplier of Electrical and Electronic Components

Click to view similar products for [Terminals](#) category:

Click to view products by [Hongxing](#) manufacturer:

Other Similar products are found below :

[00-054007-01074-6](#) [00-054007-70206-1](#) [00-054007-70210-8](#) [00-054007-70217-7](#) [00-054007-70228-3](#) [00-054007-70256-6](#) [00-054007-70316-7](#) [00-054007-49560-4](#) [00-054007-70209-2](#) [00-054007-70231-3](#) [00-054007-70241-2](#) [00-054007-70242-9](#) [00-054007-70246-7](#) [00-054007-70263-4](#) [00-054007-70288-7](#) [00-054007-70290-0](#) [00-054007-70300-6](#) [00-054007-70304-4](#) [01-2900-1-04412](#) [00581P0075](#) [600TS-10](#) [604200-1](#) [605601-1](#) [60598-1-CUT-TAPE](#) [60617-1-C](#) [61314-6-C](#) [61810-3](#) [62149-1](#) [626-0194](#) [62-NBM-A](#) [62-SP](#) [63-S](#) [M55155/059I03](#)
[M55155/079C01](#) [M55155/099B03](#) [M55155/099H02](#) [M55155/109H01](#) [M55155/12XH05](#) [M55155/16XH02](#) [M55155/29-5S](#) [M55155/29XJ08](#)
[M55155/30-6S](#) [M55155/30-9S](#) [M55155/30XI09](#) [696683-1](#) [696861-1](#) [696999-1](#) [M86700006](#) [D18-110B-C](#) [D18-110B-M](#)