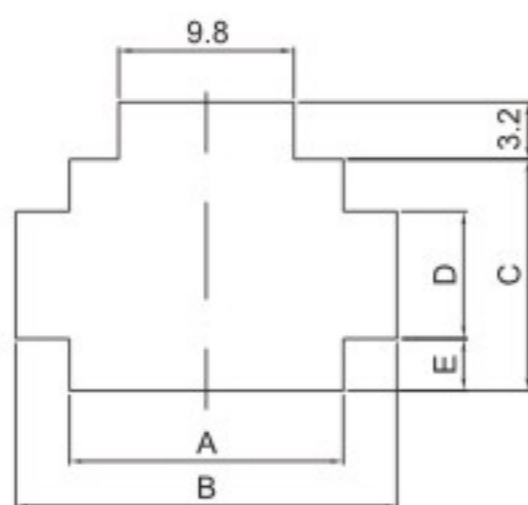


技术参数 SPECIFICATIONS

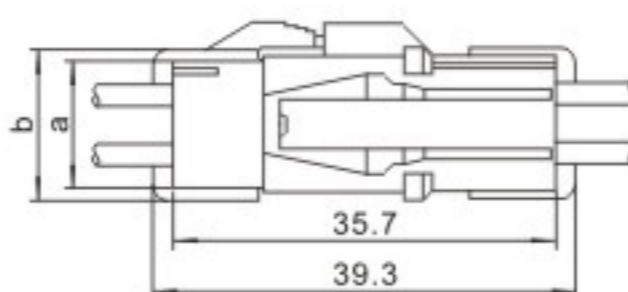
- 线数 (Poles) : 1、2、3、4、6、8、9、12、15、16
- 适用线规 (Applicable wires) : AWG28#~18#
- 适应基板厚度 (Applicable PC board thickness) : 0.7~2.0mm
- 温度范围 (Temperature range) : -25℃~85℃
- 额定电压 (Voltage rating) : 300V.Ac/Dc
- 额定电流 (Current rating) : 10A Max
- 接触电阻 (Contact resistance) : ≤0.015Ω
- 绝缘电阻 (Insulation resistance) : ≥1000MΩ
- 耐压 (Withstand voltage) : 1500V.Ac/1min
- 材料 (Material) :
 - 插头 (Plug housing) : 尼龙 (PA66) UL94V-0
 - 插座 (Receptacle housing) : 尼龙 (PA66) UL94V-0
 - 插片 (Retainer) : 尼龙 (PA66) UL94V-2
 - 端子 (Terminal) : 磷青铜 (Phos.bronze Tin/plated)
 - 黄铜 (Brass Tin/plated)

端子 TERMINAL (YL)

| 型号 Type | 适用线规 Applicable wires | | 电线外径 O.D of wire ins mm | 数量 Quantity |
|--------------|--------------------------|-------|-------------------------------|----------------|
| | mm ² | AWG# | | |
| HX45004-01PT | 0.09~0.3 | 28~22 | 0.9~1.7 | 5000PCS/盘 |
| HX45005-01RT | 0.09~0.3 | 28~22 | 0.9~1.7 | 5000PCS/盘 |
| HX45004-21PT | 0.3~0.75 | 22~18 | 1.7~3.0 | 4000PCS/盘 |
| HX45005-21RT | 0.3~0.75 | 22~18 | 1.7~3.0 | 4000PCS/盘 |



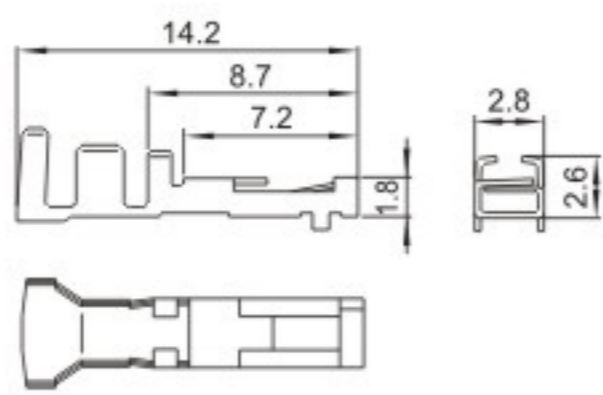
安装尺寸 MOUNTING MEASUREMENT



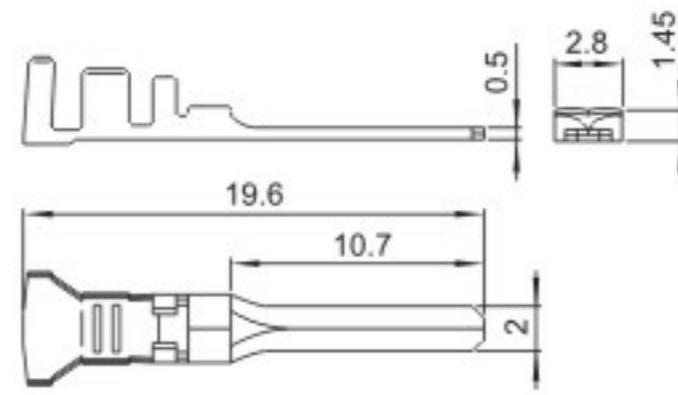
| 型号 Type | 线数 Poles | 尺寸 Dimensions W (mm) | |
|------------|-------------|----------------------|------|
| | | a | b |
| 单排 | 2、3 | 9.5 | 10.8 |
| 2 排 | 4、6、8、12、16 | 15.3 | 16.6 |
| 3 排 | 9、12、15 | 20.5 | 21.8 |

| 线数 Poles | 型号 Type | 适应基板厚度(Applicable PC board thickness)(mm) | | | | | | | | |
|-------------|--------------|---|------|------|---------|------|---------|------|---------|------|
| | | 0.7~2.0 | | | 0.7~0.8 | | 0.9~1.3 | | 1.4~2.0 | |
| | | A | B | C | D | E | D | E | D | E |
| 2 | HX45005-2R | 10.7 | 16.8 | 7.1 | 4.4 | 1.3 | 5.0 | 1.0 | 5.6 | 0.7 |
| 3 | HX45005-3R | 15.3 | 21.3 | 7.1 | 4.4 | 1.3 | 5.0 | 1.0 | 5.6 | 0.7 |
| 4 | HX45005-4R | 10.7 | 16.8 | 12.9 | 7.1 | 2.85 | 7.7 | 2.55 | 8.3 | 2.25 |
| 6 | HX45005-6R | 15.3 | 21.3 | 12.9 | 7.1 | 2.85 | 7.7 | 2.55 | 8.3 | 2.25 |
| 8 | HX45005-8R | 19.8 | 25.8 | 12.9 | 7.1 | 2.85 | 7.7 | 2.55 | 8.3 | 2.25 |
| 9 | HX45005-9R | 15.3 | 21.3 | 18.2 | 7.1 | 5.55 | 7.7 | 5.25 | 8.3 | 4.95 |
| 12(3X4) | HX45005-12R | 19.8 | 25.8 | 18.2 | 7.1 | 5.55 | 7.7 | 5.25 | 8.3 | 4.95 |
| 12(2X6) | HX45005-12RN | 28.9 | 34.8 | 12.9 | 7.1 | 2.85 | 7.7 | 2.55 | 8.3 | 2.25 |
| 15 | HX45005-15R | 24.4 | 30.3 | 18.2 | 7.1 | 5.55 | 7.7 | 5.25 | 8.3 | 4.95 |
| 16 | HX45005-16R | 37.9 | 43.8 | 12.9 | 7.1 | 2.85 | 7.7 | 2.55 | 8.3 | 2.25 |

HX45004-PT (YL)



HX45005-RT (YL)



| 线数 (Poles) | 额定电压 (Voltage rating) | 额定电流 (Current rating) | 插头 (Plug Housing) | 插座 (Receptacle Housing) | 插片 (Retainer) |
|---------------|--------------------------|--------------------------|----------------------------|-----------------------------|----------------------------|
| 1 | 300V | 7A (10A) | HX45004-1P (YL) | HX45005-1RF (YL) | HX45004-1S (YL) |
| 2 | 300V | 7A (10A) | HX45004-2P (YL) | HX45005-2R (YL) | HX45004-2S (YL) |



| 线数 (Poles) | 额定电压 (Voltage rating) | 额定电流 (Current rating) | 插头 (Plug Housing) | 插座 (Receptacle Housing) | 插片 (Retainer) |
|---------------|-----------------------------|-----------------------------|-----------------------------|-----------------------------|----------------------------|
| 2 | 300V | 7A (10A) | HX45004-2P (YL) | HX45005-2RF (YL) | HX45004-2S (YL) |
| | | | HX45004-3P (YL) | HX45005-3R (YL) | HX45004-3S (YL) |
| 3 | 300V | 6A (9A) | HX45004-4P (YL) | HX45005-3RF (YL) | HX45004-3S (YL) |
| | | | HX45005-4R (YL) | HX45004-4S (YL) | |
| 4 | 300V | 5A (8A) | HX45005-4RF (YL) | HX45004-2S (YL) | |
| | | | HX45004-4P (YL) | HX45005-4R (YL) | |

| 线数 (Poles) | 额定电压 (Voltage rating) | 额定电流 (Current rating) | 插头 (Plug Housing) | 插座 (Receptacle Housing) | 插片 (Retainer) |
|------------|-----------------------|-----------------------|------------------------------|-----------------------------|----------------------------|
| 6 | 300V | 5A (8A) | HX45004-6P (YL) | HX45005-6R (YL) | HX45004-3S (YL) |
| | | | HX45005-6RF (YL) | | |
| 8 | 300V | 4A (6A) | HX45004-8P (YL) | HX45005-8R (YL) | HX45004-4S (YL) |
| | | | HX45005-8RF (YL) | | |
| 9 | 300V | 4A (6A) | HX45004-9P (YL) | HX45005-9R (YL) | |
| | | | HX45005-9RF (YL) | | |
| 12 | 300V | 3A (6A) | HX45004-12P (YL) | HX45005-12R (YL) | |
| | | | HX45005-12RF (YL) | | |

| 线数 (Poles) | 额定电压 (Voltage rating) | 额定电流 (Current rating) | 插头 (Plug Housing) | 插座 (eceptacle Housing) | 插片(Retainer) |
|---------------|-----------------------------|-----------------------------|--------------------------|--------------------------|------------------------|
| 12 | 300V | 3A (6A) | <p>HX45004-12PN (YL)</p> | <p>HX45005-12RN (YL)</p> | <p>HX45004-6S (YL)</p> |
| 15 | 300V | 3A (5A) | <p>HX45004-15P (YL)</p> | <p>HX45005-15R (YL)</p> | |
| 16 | 300V | 3A (5A) | <p>HX45004-16P (YL)</p> | <p>HX45005-16R (YL)</p> | <p>HX45004-8S (YL)</p> |

X-ON Electronics

Largest Supplier of Electrical and Electronic Components

Click to view similar products for [Headers & Wire Housings](#) category:

Click to view products by [Hongxing](#) manufacturer:

Other Similar products are found below :

[57102-F02-18ULF](#) [58102-G61-06LF](#) [0009485154](#) [009176003701906](#) [0050291907](#) [02.125.8002.8](#) [609-3404](#) [61062-3](#) [622-0430](#) [622-3653LF](#)
[63453-116](#) [636-1030](#) [636-1427](#) [636-3427](#) [636-4007](#) [641938-9](#) [644827-2](#) [65495-038](#) [65692-001LF](#) [65781-018](#) [65781-047](#) [65817-010LF](#)
[65817-015LF](#) [66207-023LF](#) [67016-026LF](#) [67095-007LF](#) [68631-112](#) [68645-018](#) [68648-049](#) [699319-000](#) [70.362.1628.0](#) [70-4210](#) [70-4226B](#)
[70-4853B](#) [707-5020](#) [707-5028](#) [71.350.2428.0](#) [71961-016LF](#) [733-134](#) [754199-000](#) [760-3052](#) [787-8014-00](#) [FCN-367T-T012/H](#) [80.063.4001.1](#)
[800-90-001-10-001000](#) [800-90-010-10-002000](#) [801-43-002-10-013000](#) [801-43-006-10-002000](#) [803-41-018-10-001000](#) [803-43-014-20-](#)
[001000](#)