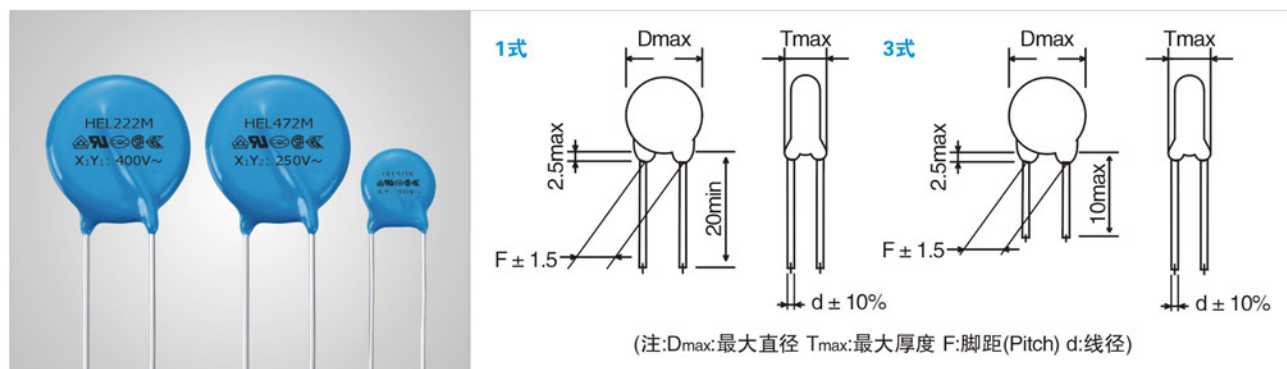




安规陶瓷电容 (CT7)

Y TYPE CERAMIC CAPACITOR

外型图 OUTLINE DRAWING



产品特点 PRODUCTS OUTLINE DRAWING

○主要应用于电子设备主回路以抑制电磁干扰用 ○Application in the input circuit of power supply for interference suppression

规格名称 TYPE DESIGNATION

Y1	11	E	I	D	472	M	TP
额定电压 U _R	最大外径 D _{max}	温度系数 Temp.Cof	引线形状 Lead style	引线间距 Lead spacing(F)	容量 Capacitance	容量精度 Cap.Tol	编带包装 TAPING & REEL PACKING
Y1 AC400V Y2 AC250V	Dia Code 7.5 8 11.3 12 15.8 16 16.5 17	B Y5P E Y5U F Y5V	Code Style 1 长直线型 3 短直线型	D 10.0 E 7.5	Cap. Code 100pF 101 1000pF 102 2200pF 222 10000pF 103	Tol. Code ±10% K ±20% M +80% -20% Z	

说明 SPECIFICATIONS

使用温度范围 OPERATING TEMPERATURE RANGE:	-25℃~+85℃, -25℃~+125℃
静电容量 CAPACITANCE:	静电容量须在温度20±2℃, 以1V±0.2V测定, 其中测试频率为1±0.2KHz。 THE CAPACITANCE SHALL BE MEASURED AT 20±2℃ WITH 1V±0.2V AND 1±0.2KHz.
损耗角正切tg δ DISSIPATION FACTOR(D.F.):	测试条件与静电容量相同 SAME CONDITION AS THE CAPACITANCE tg δ ≤ 250 × 10 ⁻⁴
绝缘电阻 INSULATION RESISTANCE(I.R.):	于端子间施加直流500V的电压, 时间为60±5秒。 THE I.R.SHALL BE MEASURED AT DC500V WITHIN 60±5 SEC.OF CHARGING. I.R. ≥ 10,000M Ω
耐电压 DIELECTRIC STRENGTH:	于端子间施加一交流电压5秒, 应无不良(电流限于50mA以内)。 APPLY A AC VOLTAGES BETWEEN THE LEAD WIRES FOR 5 SEC., NO FAILURE (CHARGE/DISCHARGE CURRENT ≤ 50mA) Y1: U _T =AC2500V Y1: U _T =AC4000V

尺寸及容量范围 DIA.&CAP.RANGE

U _R	TEMP.COEF./CAP.(PF) 温度系数及容量			D _{max} (mm)	T _{max} (mm)
	B	E	F		
Y1			1000	6.8	5.5
	100-200			7	
	470		1500	8	
		1000-1500	2200	8.5	
		2200	3300-3900	11	
	1000		4700	12	
Y2	100-470	1000	1000	6	4.5
			1500	7	
		1500	2200	8	
		2200	3300-3900	9	
			4700	10.5	
		4700	6800	14	
		10000	15		

说明 NOTE

表中数值或尺寸仅供参考, 特殊产品客户有需求可协商供货

The values and dimensions listed above are for reference only, other irregular values and dimensions are available on request by customer

X-ON Electronics

Largest Supplier of Electrical and Electronic Components

Click to view similar products for [Ceramic Disc Capacitors](#) category:

Click to view products by [Hongzhi](#) manufacturer:

Other Similar products are found below :

[5AU100JCECA](#) [5AU220JCGCA](#) [5AU560JCJCA](#) [DEF2CLH020CA3B](#) [DEF2CLH030CJ3B](#) [101GHR102K](#) [564RC0GBA302EJ470K](#)
[NCD102K1KVY5FF](#) [NCD101K1KVY5FF](#) [NCD103M1KVZ5UF](#) [NCD331K1KVY5FF](#) [AOL-1502-02](#) [NCD103M1KVZ5UJTB](#)
[DEF2CLH040CN3A](#) [DEF2CLH080DA3B](#) [8903D0](#) [90410-10](#) [YV101103Z060HAND5P](#) [SL102101J060BAND5P](#) [YP202102K080D04A7H](#)
[ZU501103M090B20C6P](#) [ZU102103M100X05B0P](#) [YP102271K050B20C6P](#) [YP102391K050BAND5P](#) [YP501101K040BAND5P](#)
[ZU102103M100BAND5H](#) [YP102681K060B20C6P](#) [YP501121K040B20C6P](#) [SL102181J070HAND5P](#) [YP501471K040B20C6P](#)
[SL102151J070HAND5P](#) [YP501102K050HAND5P](#) [ZU501102M050B20C6P](#) [YP501472K100B20C6P](#) [ZU102103M100B20C0P](#)
[YV500223Z080HAND5P](#) [F121K25S3NN63J5R](#) [F121K25S3NP63K7R](#) [F121K25S3NR63K7R](#) [F122K47S3NP63K7R](#) [F681K43S3NR63K7R](#)
[S470J25SL0N6TJ5R](#) [HVCC103Y6P152MEAX](#) [S103Z43Y5VN6TJ5R](#) [DCH102K34Y5PP6FJ5A0](#) [CC1H220KA1EDCH4B1100](#)
[CC1H103ZA1ED3F4D1100](#) [CC3A222MC1GEF45H31MF](#) [CC1H151KC1EDB44B1100](#) [CC3D103MC1IEF49D61MF](#)