

Surface Mount Aluminum Electrolytic Capacitors

**GVM** Ultra-low Impedance, Small size.  
Series



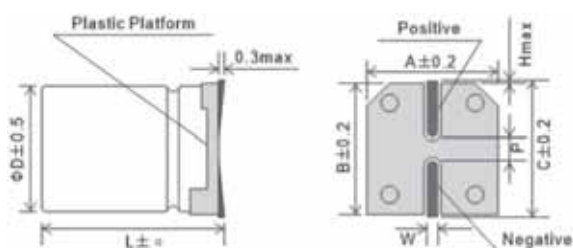
**Features**

105°C, 2000~5000 hours assured, Ultra-low Impedance.  
Impedance 20~30% less than GVZ series.  
Available for high density surface mounting.

**Specifications**

Item	Condition		Specifications						
Category Temperature Range(°C)	—		-55°C ~ +105°C						
Capacitance Tolerance (%)	120Hz, 20°C		±20%						
Rated Voltage (v)	—		6.3	10	16	25	35	50	
Dissipation Factor (tanδ)	120Hz, 20°C (Max.)	tanδ	0.26	0.18	0.16	0.14	0.12	0.10	
		Notes	Exceeding 1,000uF, +0.02 every 1,000uF						
Leakage Current (LC)	After 2 minutes, 20°C (uA, Max.)		0.01CV or 3uA, whichever is greater.						
Low Temperature Characteristics	Impedance Ratio (Max.)	Z <sub>-25°C</sub> /Z <sub>+20°C</sub>	4	3	2	2	2	2	
		Z <sub>-55°C</sub> /Z <sub>+20°C</sub>	8	5	4	3	3	3	3
Endurance	105°C, Rated Voltage Applied (With the rated ripple current)	Hours	5,000 (2,000hrs. for Ø4~Ø6.3)						
		ΔC/C	Within ±30% of initial value						
		tanδ	300% or less of the initial specified value						
		LC	The initial specified value or less						
Shelf life	105°C	Hours	1,000						
		Other Items	same as those for the endurance.						

**Dimensions**



D	L	A	B	C	P	α	W
4	5.7	4.3	4.3	5.0	1.0	±0.3	0.5-0.8
5	5.7	5.3	5.3	6.0	1.5	±0.3	0.5-0.8
6.3	5.7	6.6	6.6	7.3	2.0	±0.3	0.5-0.8
6.3	7.7	6.6	6.6	7.3	2.0	±0.3	0.5-0.8
8	10.5	8.3	8.3	9.0	3.1	±0.5	0.7-1.2
10	10.5	10.3	10.3	11.0	4.7	±0.5	0.7-1.2

**Rated Ripple Current Multipliers**

Frequency (Hz) Capacitance (uF)	50	120	1k	10k	100K
Under 100	0.45	0.65	0.85	0.95	1.00
100 ~ 2200uF	0.50	0.70	0.90	0.95	1.00

# GVM

 Series

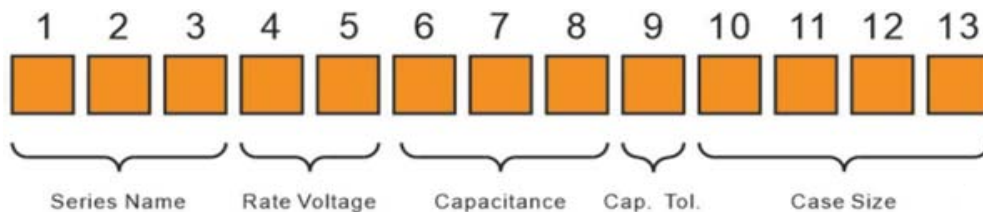
## ■ Dimensions

uF	WV	6.3v(0J)			10v(1A)			16v(1C)			25v(1E)			35v(1V)			50v(1H)		
		$\Phi D \times L$	Imp.	R.C.	$\Phi D \times L$	Imp.	R.C.	$\Phi D \times L$	Imp.	R.C.	$\Phi D \times L$	Imp.	R.C.	$\Phi D \times L$	Imp.	R.C.	$\Phi D \times L$	Imp.	R.C.
10																4x5.7	2.30	85	
																5x5.7	0.88	165	
22													4x5.7	1.00	160	5x5.7	0.88	165	
33													5x5.7	0.36	240	6.3x5.7	0.68	195	
39										4x5.7	1.00	160	5x5.7	0.36	240	6.3x5.7	0.68	195	
47										5x5.7	0.36	240	5x5.7	0.36	240	6.3x5.7	0.68	195	
56							4x5.7	1.00	160	5x5.7	0.36	240	6.3x5.7	0.26	300	6.3x7.7	0.34	350	
68				4x5.7	1.00	160	5x5.7	0.36	240	5x5.7	0.36	240	6.3x5.7	0.26	300	6.3x7.7	0.34	350	
100				5x5.7	0.36	240	5x5.7	0.36	240	6.3x5.7	0.26	300	6.3x5.7	0.26	300	6.3x7.7	0.34	350	
120	4x5.7	1.00	160	5x5.7	0.36	240	6.3x5.7	0.26	300	6.3x5.7	0.26	300	6.3x7.7	0.16	600	8x10.5	0.18	670	
150	5x5.7	0.36	240	5x5.7	0.36	240	6.3x5.7	0.26	300	6.3x7.7	0.16	600	6.3x7.7	0.16	600	8x10.5	0.18	670	
220	5x5.7	0.36	240	6.3x5.7	0.26	300	6.3x5.7	0.26	300	6.3x7.7	0.16	600	6.3x7.7 8x10.5	0.16 0.08	600 850	8x10.5	0.18	670	
330	6.3x5.7	0.26	300	6.3x5.7	0.26	300	6.3x7.7	0.16	600	6.3x7.7 8x10.5	0.16 0.08	600 850	8x10.5	0.08	850	10x10.5	0.12	900	
390	6.3x5.7	0.26	300	6.3x7.7	0.16	600	6.3x7.7	0.16	600	8x10.5	0.08	850	8x10.5	0.08	850				
470	6.3x5.7	0.26	300	6.3x7.7	0.16	600	6.3x7.7 8x10.5	0.16 0.08	600 850	8x10.5	0.08	850	8x10.5 10x10.5	0.08 0.06	850 1190				
560	6.3x7.7	0.16	600	6.3x7.7	0.16	600	8x10.5	0.08	850	8x10.5	0.08	850	10x10.5	0.06	1190				
680	6.3x7.7	0.16	600	6.3x7.7 8x10.5	0.16 0.08	600 850	8x10.5	0.08	850	10x10.5	0.06	1190	10x10.5	0.06	1190				
820	6.3x7.7 8x10.5	0.16 0.08	600 850	8x10.5	0.08	850	8x10.5	0.08	850	10x10.5	0.06	1190							
1000	8x10.5	0.08	850	8x10.5	0.08	850	10x10.5	0.06	1190	10x10.5	0.06	1190							
1200	8x10.5	0.08	850	8x10.5	0.08	850	10x10.5	0.06	1190										
1500	8x10.5	0.08	850	10x10.5	0.06	1190	10x10.5*	0.06	1190										
1800	10x10.5	0.06	1190	10x10.5	0.06	1190													
2200	10x10.5	0.06	1190																

 Note1: Case size  $\Phi D \times L$ (mm), ripple current (mA, rms) at 105°C, 120Hz.

Note2: Produce custom product too, which are not found in these tables.

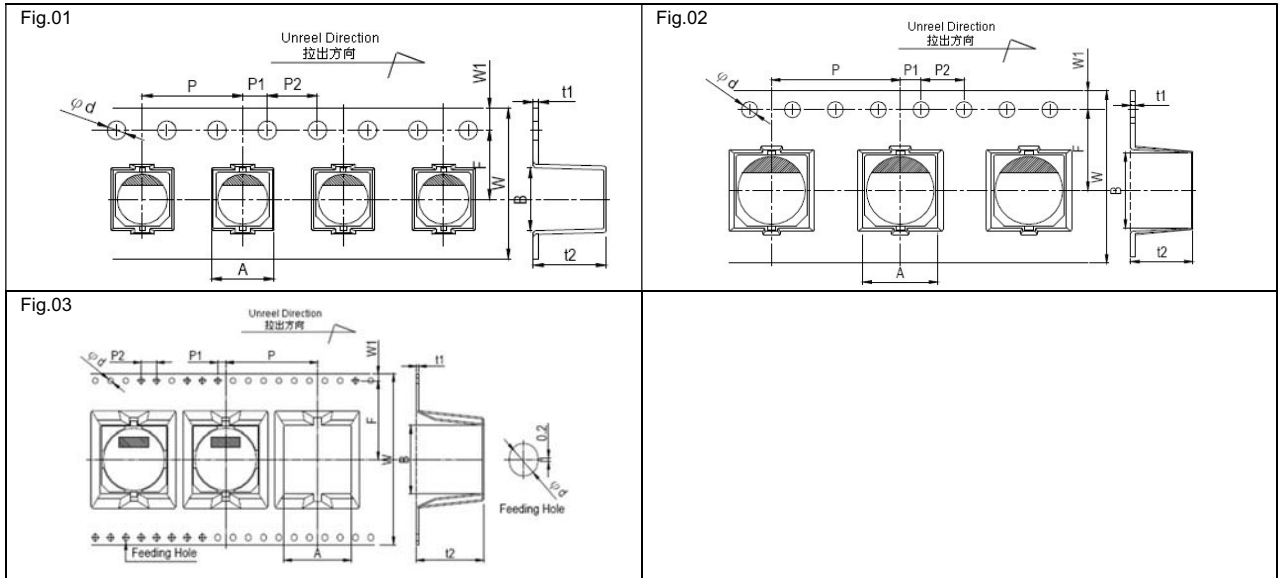
■ Explanation of Part Numbers



(1-3)			(4-5)		(6-8)		(9)	(10-13)	
Series	Voltage (W.V)	Code	Capacitance (UF)	Code	Cap. Tolerance (%)	Code	Size $\phi$ DxL	Code	
GVS	4	0G	0.1	0R1	+5	J	4x5(5.7)	0405	
GVT	6.3	0J	0.22	0R22	-5		4x7	0407	
GVE	10	1A	0.33	0R33	+10	K	5x5(5.7)	0505	
GVZ	16	1C	0.47	0R47	-10		5x7	0507	
GVM	25	1E	1	1R0	+15	L	5x11	0511	
GVL	35	1V	2.2	2R2	-15		6.3x5(5.7)	0605	
GVU	50	1H	3.3	3R3	+20	M	6.3x7(7.7)	0607	
GVY	63	1J	4.7	4R7	-20		6.3x11	0611	
GVF	80	1K	10	100	+30	N	8x5	0805	
GVR	100	2A	22	220	-30		8x6.5	0806	
GVG	125	2B	33	330	+20	V	8x9	0809	
GVD	160	2C	47	470	-10		8x10(10.5)	0810	
GVP	180	2Z	68	680	+30	Q	8x11(11.5)	0811	
GVT	200	2D	100	101	-10		8x12	0812	
GVC	220	2P	220	221	+50	T	10x10(10.5)	1010	
GVN	250	2E	330	331	-10		10x12.5	1012	
GVK	315	2F	470	471	+50	S	10x14	1014	
GVA	330	2L	680	681	-20		12.5x13.5	1213	
	350	2V	1000	102	+80	Z	12.5x16	1216	
	400	2G	2200	222	-20		16x16.5	1616	
	420	2Q	3300	332	+20	R	16x25	1625	
	450	2W	4700	472	-0		20x25	2025	
	500	2H	6800	682			35x42	3542	

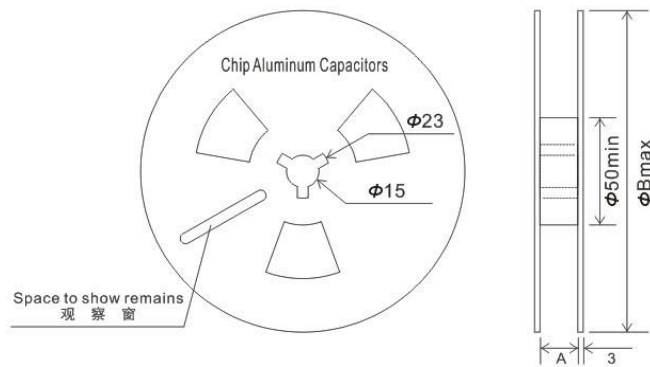
## ■ Taping Specifications

### ■ Carrier Tape



Case Size	W (mm)	W1 (mm)	F (mm)	P (mm)	P1 (mm)	P2 (mm)	A (mm)	B (mm)	t1 (mm)	t2 (mm)
φ 4x5.7	12	1.75	5.5	8	2	4	4.7	4.7	0.4	6.3
φ 5x5.7	12		5.5	12			6	6		6.3
φ 6.3x5.7	16		7.5	12			7	7		6.3
φ 6.3x7.7	16		7.5	12			7	7		8.3
φ 8x6.5	16		7.5	12			8.7	8.7		7
φ 8x10.5	24		11.5	16			8.7	8.7		11
φ 10x10.5	24		11.5	16			10.7	10.7	11	
φ 10x13.5	24		11.5	16			10.7	10.7	14.1	
φ 12.5x13.5	32		14.2	24			14	14	14.1	
φ 12.5x16	32		14.2	24			14	14	16.4	
φ 16x16.5	44	20.2	28	17.5	17.5	16.9				
φ 16x21.5	44	20.2	28	17.5	17.5	21.9				
φ 18x16.5	44	20.2	32	19.5	19.5	16.9				
φ 18x21.5	44	20.2	32	19.5	19.5	21.9				
Tolerance	±0.3	±0.15	±0.1	±0.1	±0.1	±0.1	±0.2	±0.2	±0.1	±0.2

### ■ Carrier Tape



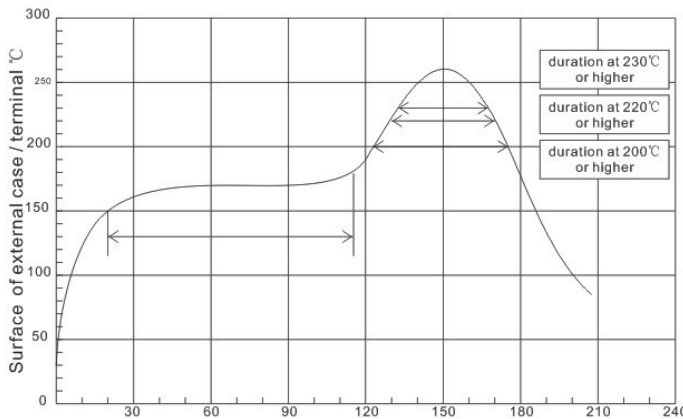
Case Size	Reel	Carton	A±0.3	B±2	Case Size	Reel	Carton	A±0.3	B±2
φ 4x5.7	2000	20000	14	382	φ 10x13.5	300	3000	26	382
φ 5x5.7	1000	10000	14	382	φ 12.5x13.5	200	600	34	332
φ 6.3x5.7	1000	10000	18	382	φ 12.5x16	150	450	34	332
φ 6.3x7.7	1000	10000	18	382	φ 16x16.5	125	250	46	332
φ 8x6.5	1000	10000	18	382	φ 16x21.5	75	150	46	332
φ 8x10.2	500	5000	26	382	φ 18x16.5	125	250	46	332
φ 10x10.2	500	5000	26	382	φ 18x21.5	75	150	46	332

## Reflow Soldering Conditions

### Recommended soldering heat conditions

- The following conditions are recommended for air convection and infrared reflow soldering on the SMD products onto a glass epoxy circuit boards by cream solder. The temperatures shown are the surface temperature values on the top of the can and on the capacitor terminals.
- Reflow should be performed twice or less.
- Please ensure that the capacitor became cold enough to the room temperature (5 to 35°C) before the second reflow.

### Classification Reflow Profile

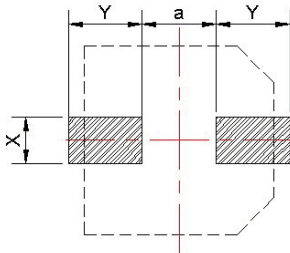


**Notice:**

- Average ramp-up rate is 5°C/second max.
- Ramp-down rate is 6°C/second max.
- Time from 25°C to peak temperature is 6 minutes max.

	Preheat	Time maintained above 200°C	Time maintained above 220°C	Time maintained above 230°C	Peak temp.	Reflow number
Dia. 4~10mm general	120°C to 180°C 120 sec. Max.	60 sec.	50 sec.	30 sec.	250°C Max.	2 times or less
φ8x6.5		50 sec.	40 sec.	25 sec.	245°C Max.	2 times or less
WV 160v-450v		60 sec.	50 sec.	30 sec.	240°C Max.	2 times or less
Dia. 12.5~20mm Cap.		60 sec.	40 sec.	30 sec.	240°C Max.	2 times or less
125°C Category Temp.		60 sec.	40 sec.	30 sec.	250°C Max.	2 times or less

### Recommended Solder Land Size on PC Board



Size	X	Y	a
φ4	1.6	2.6	1.0
φ5	1.6	3.0	1.4
φ6.3	1.6	3.5	2.1
φ8x6.5	1.6	4.5	2.1
φ8x10.5	2.5	3.5	3.0
φ10	2.5	4.0	4.0
φ12.5	3.0	5.7	4.0
φ16	3.5	6.5	6.0

## X-ON Electronics

Largest Supplier of Electrical and Electronic Components

*Click to view similar products for [Aluminium Electrolytic Capacitors - SMD category](#):*

*Click to view products by [Honor manufacturer](#):*

Other Similar products are found below :

[ULV2H4R7MNL1GS](#) [ULV2H1R8MNL1GS](#) [MAL214099813E3](#) [CA025M4R70REB-0405](#) [HUB1800-S](#) [UCX1V471MNQ1MS](#) [10SVP120M](#)  
[DV100M050C055ETR](#) [RVJ-50V101MH10U-R](#) [AEH1012471M016R](#) [MAL213967339E3](#) [GVT1C337M0608CNVC](#) [ATB106M050D058](#)  
[ATB476M050F065](#) [ATB476M035E058](#) [ATB107M016E058](#) [ATB107M035E077](#) [EMVE350ARA101MF80G](#) [EMHL250ARA221MHA0G](#)  
[ATB477M016F102](#) [EMK1EM331FB0D00R](#) [EMF1CM221FB0D00R](#) [EMF1CM331FB0D00R](#) [EMF1CM471FB0D00R](#)  
[EMK1JM101GB0D00R](#) [EMK1AM102GB0D00R](#) [EMK1HM221GB0D00R](#) [DV221M6R3E055ETR](#) [DV221M025E077ETR](#)  
[RV331M025F105ETR](#) [RVT1A101M0505](#) [GVZ1H101M0607](#) [CK1E100M0405](#) [GVM1E331M0607](#) [VT10UF100V167RV0127](#)  
[VT100UF16V167RV0124](#) [CS100UF35V167RV0155](#) [CK220UF16V167RV0142](#) [VT10UF16V167RV0128](#) [VT22UF35V167RV0131](#)  
[CS470UF10V167RV0150](#) [CK100UF16V167RV0138](#) [CK220UF10V167RV0141](#) [RVT330UF25V167RV0055](#) [CS47UF16V167RV0152](#)  
[VT470UF16V167RV0135](#) [CS100UF10V167RV0144](#) [126RV0017](#) [VT47UF35V167RV0137](#) [CS220UF35V167RV0148](#)