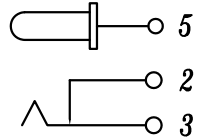
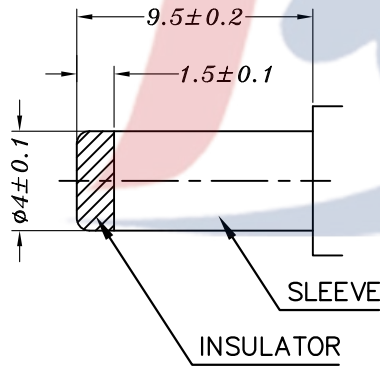


HOLE LAYOUT
(BOTTOM VIEW)

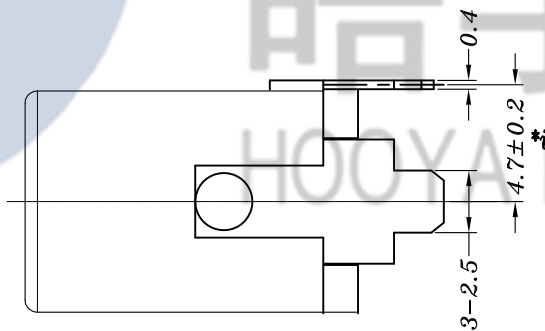


DC-013D

SCHEMATIC



MATE PLUG



Specification:

1. Rating : DC 12V 3A.
2. Contact resistance: $\leq 50m\Omega$. After test: $\leq 100m\Omega$.
3. Insulation resistance: $\geq 100M\Omega$ (500VDC).
4. Withstanding voltage: 500VAC.
5. Insertion and extraction force: 5N~30N.
6. life test: 5000cycles min.
7. Operation temperature range: $-20^{\circ}C \sim 70^{\circ}C$.

					TOLERANCE UNLESS SPECIFIED							
					UP TO 5mm: ± 0.1	ANGULAR	A0	2020.03.20	首次发行		GYW	
					ABOVE 5mm: ± 0.2	$\pm 1^{\circ}$	NO	DATE	REVISIONS		BY	APPD
6	DC005C PING	BRASS	1	Ni PLATED	TITLE:DC JACK			UNIT : MM	ROHS COMPLIANT	DWN		
5	DC013D 3#SPRING	PBS	1	Ag PLATED	MODEL:DC-013D ϕ 1.65-PU			SCALE: 3:1	CHK'D			
4	DC013D 2#CURVE PIECE	BRASS	1	Ag PLATED	HOOYA ELECTRONIC CO. LTD 皓宇电子有限公司			APPD				
3	DC013D 5#FLAT PIECE	BRASS	1	Ag PLATED				PRO.AGL:			REV :A0	
2	DC013A BASE	PHENOLIC RESIN	1	YELLOW								
1	DC005CA CASE	LCP	1	BLACK								
NO.	PART NAME	MATERIAL	QTY	FINISHING								

X-ON Electronics

Largest Supplier of Electrical and Electronic Components

Click to view similar products for [DC Power Connectors](#) category:

Click to view products by [HOOYA](#) manufacturer:

Other Similar products are found below :

[KLDX-SMT-0202-BPTR](#) [171-0722-E](#) [K596](#) [KLD-0201-BC](#) [4C6831AX](#) [10073976-112LF](#) [LCB60PW-M](#) [LCB30PW-M](#) [LCB60PB-M](#)
[LCC30PB-M](#) [LCB50PW-M](#) [LCB50-M](#) [LCB60-F](#) [LCC30-M](#) [LCB40PW-M](#) [LCC30PW-M](#) [LCB50-F](#) [LCB40-F](#) [LCB30-F](#) [LCC40-M](#)
[LCC40PB-M](#) [LCB40PB-M](#) [LCC40-F](#) [LCB60-M](#) [LCC40PW-M](#) [LCB50PB-M](#) [DC-002-100](#) [DC-031A-130](#) [DC-031A-100](#) [DC-003A-130](#)
[DC-045-130](#) [DC-192-130](#) [DC-033-130](#) [DC-011-100](#) [DC-002F-130](#) [DC-002-130](#) [DB-14-2F](#) [DC-183B](#) [DC-060-04A](#) [DC-099-200](#) [DC-015-](#)
[250-A](#) [DC-016-200-A](#) [DC-005A-200](#) [DC-044A-200](#) [DC-088-200](#) [DC-022A-200](#) [DC-038-150](#) [DC-012A-250](#) [DC-005C-130](#) [DC-012A-200](#)