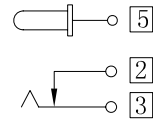
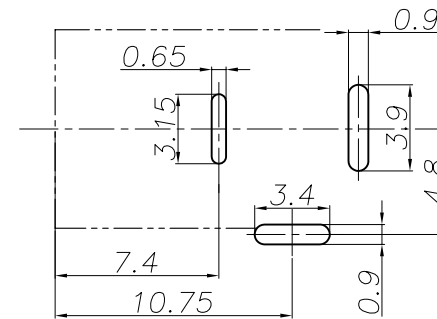
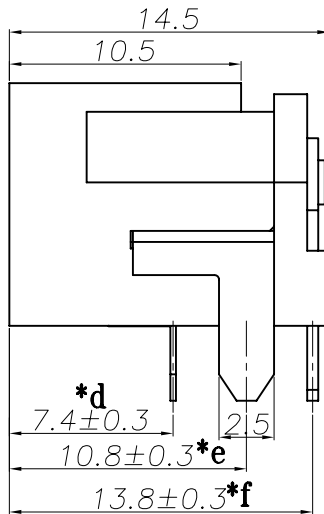
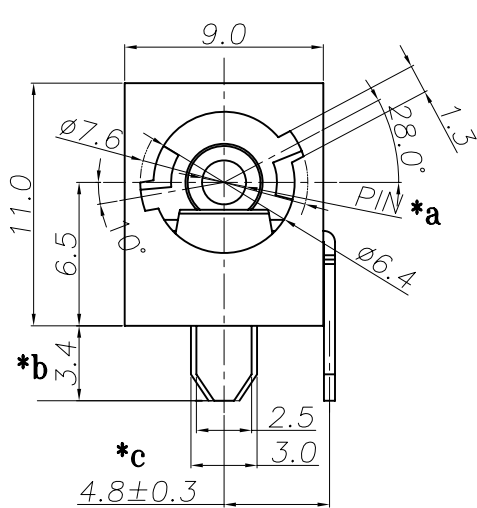


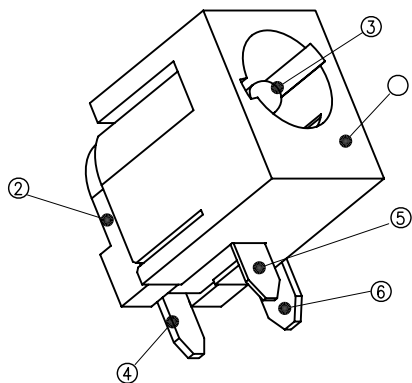
PIN	φ2.0	φ2.5
APPD.	✓	



CIRCUIT DIAGRAM



RECOMMENDED P. C. B. LAYOUT
(TOP VIEW)



Specification:

1. Rating : DC 30V 5A;
2. Contact resistance: ≤50mΩ;
After test: ≤100mΩ
3. Insulation resistance: ≥100MΩ (500VDC);
After test: ≥50MΩ
4. Withstand voltage: 500VAC ;
5. Insertion and extraction force: 3N~30N;
6. life test: 5000cycles ;
7. Operation temperature range:-20℃~70℃
8. Preservative temperature range:-40℃~85℃

				TOLERANCE UNLESS SPECIFIED							
				UP TO 5mm: ±0.1	ANGULAR						
				ABOVE 5mm: ±0.2	±1°	NO	DATE	REVISIONS		BY	APPD
6	DC088SA 2#CURVE PIECE	BRASS	1	Ag-PLATED							
5	DC088SA 3#SPRING	PHOSPHOR BRONZE	1	Ag-PLATED							
4	DC088SA 5#FLAT PIECE	BRASS	1	Ag-PLATED	TITLE: DC JACK		UNIT : MM	ROHS	DWN		
3	DC005 SOLID PIN	BRASS	1	Ni-PLATED	MODEL: DC-088SA-PU		SCALE: 1:1	COMPLIANT	CHK'D		
2	DC088B COVER	PA10T	1	BLACK					APPD		
1	DC088S CASE	PA10T	1	BLACK							
NO.	PART NAME	MATERIAL	QTY	FINISHING	DONGGUANG HAOYU ELECTRONICS CO., LTD 皓宇 HOOYA 东莞市弘皓电子有限公司				PRO.AGL:		REV :A0

X-ON Electronics

Largest Supplier of Electrical and Electronic Components

Click to view similar products for [DC Power Connectors](#) category:

Click to view products by [HOOYA](#) manufacturer:

Other Similar products are found below :

[KLDX-SMT-0202-BPTR](#) [171-0722-E](#) [K596](#) [KLD-0201-BC](#) [4C6831AX](#) [10073976-112LF](#) [LCB60PW-M](#) [LCB30PW-M](#) [LCB60PB-M](#)
[LCC30PB-M](#) [LCB50PW-M](#) [LCB50-M](#) [LCB60-F](#) [LCC30-M](#) [LCB40PW-M](#) [LCC30PW-M](#) [LCB50-F](#) [LCB40-F](#) [LCB30-F](#) [LCC40-M](#)
[LCC40PB-M](#) [LCB40PB-M](#) [LCC40-F](#) [LCB60-M](#) [LCC40PW-M](#) [LCB50PB-M](#) [DC-002-100](#) [DC-031A-130](#) [DC-031A-100](#) [DC-003A-130](#)
[DC-045-130](#) [DC-192-130](#) [DC-033-130](#) [DC-011-100](#) [DC-002F-130](#) [DC-002-130](#) [DB-14-2F](#) [DC-183B](#) [DC-060-04A](#) [DC-099-200](#) [DC-015-](#)
[250-A](#) [DC-016-200-A](#) [DC-005A-200](#) [DC-044A-200](#) [DC-088-200](#) [DC-022A-200](#) [DC-038-150](#) [DC-012A-250](#) [DC-005C-130](#) [DC-012A-200](#)